



YLI

YLI INDUSTRY SDN. BHD.

(504654-U)

REFLECTOR 2011

ULTIMATE LIGHTING EXPERIENCE



YLI BRIEF INTRODUCTION:

YLI INDUSTRY SDN. BHD. established since 1993, has the experience in the moulding and tooling industry for more than 18 years. With its strong background, YLI diversified into lighting manufacturing and is now the fastest growing manufacturer of lighting fittings for both interior and exterior applications in Malaysia.

The Core Product Of YLI Are:-

INDOOR LIGHTING...

Down Light, Fluorescent Light Fitting, Close Ceiling Light, Pendant Light, Spot Track Lighting & LED Light.

OUTDOOR LIGHTING...

Garden & Street Light, Wall Light, Flood Light, Lawn Light, Buried-Up Lighter, Bollard Light & Up-Down Light.

ACCESSORIES & ATTACHMENTS...

Lamp Holder, Starter Holder, Connecting Device, Anodized Mirror Reflector & Louver.

YLI moved into its new factory building in 2005 to accommodate the demand for its products.

The factory has now a work floor space of 4 acre sprawled over a 7 acre site in Pusing, Perak with a workforce of more than 200 staffs nationwide.

YLI has since opened its sales offices in 6 states in Malaysia to market its products nationwide.

With turnover in excess of USD 12million annually and growing, the company in line with its expansion plan is in the midst of doubling its current work floor space.

YLI is well equipped with advanced CNC wire cutting, milling, lathe, turret punching and photometric data machines. its components are procured locally and internationally which are subjected to rigorous testing procedures in compliance with the Standards Department of Malaysia. The company has its own Research and Development Department which oversees' quality at its utmost.

YLI is a member of the Federations of Malaysian Manufacturers and the Exporters Club of Malaysia.

YLI recognize our customers' needs to be competitive and aim to provide the best service and quality products at the most competitive price available in the markets. YLI is keeping pace with the ever changing evolution in the lighting industry to offer new and improved products which provide the buyer with greater added value.

YLI have already ventured its operations internationally to include regions namely in south east asia, Western asia (middle east), Some countries of Africa and Europe, Oceania and Pacific rim and the Australasia continent. Discussions are underway to open offices in these regions to promote its products through the YLI trademark.

YLI is in pursuit of its plans to be a ONE-STOP destination for all lighting needs, thereby creating the **ultimate lighting experience.**



Contents.

- VERTICAL SERIES

• V050	4
• V061/V069/V075	5
• V084/V085	6
• V095/V110	7
• V103	8
• V115	9
• V123/V130/V137	10
• V145	11
• V160	12
• V185	13
• V203/V227/V265	14

- HORIZONTAL SERIES

• H115/H120/H122/H128/H130/H137	15
• H140/H142/H145	16
• H50/H155	17
• H160	18~19
• H160/H177/H179	20
• H185/H190/H195	21
• H201/H203	22
• H203	23
• H210/H227/H245/H265/H320	24

- SPECIAL SERIES

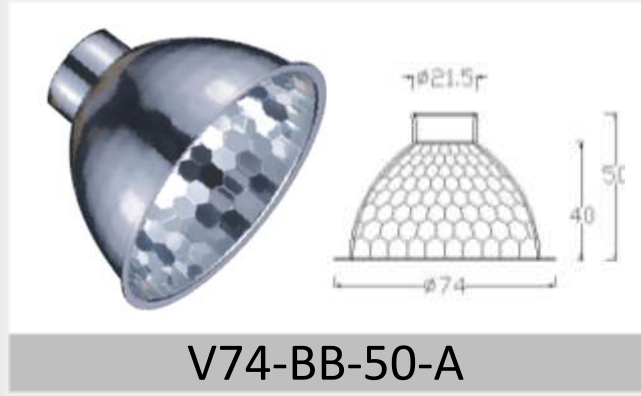
• UNIQUE REFELCTOR Q SERIES	25
• Q160/Q182	26
• Q165/Q203/Q365	27
• OTHER SERIES	28
• LONVERS FOR LANTERNS	29

B BEEHIVE	E EGG	H HAMMER TONE	P PLAIN (SMOOTH)	S SQUARE	W WAVE
D DIAMOND	F FROSTED	L LINE	R RHOMBUS	T STRIPE	





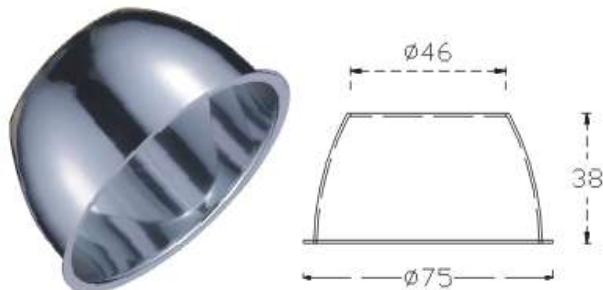
B BEEHIVE	E EGG	H HAMMER TONE	P PLAIN (SMOOTH)	S SQUARE	W WAVE
D DIAMOND	F FROSTED	L LINE	R RHOMBUS	T STRIPE	



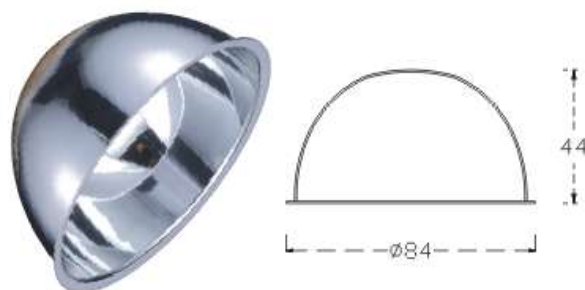


YLI

B BEEHIVE	E EGG	H HAMMER TONE	P PLAIN (SMOOTH)	S SQUARE	W WAVE
D DIAMOND	F FROSTED	L LINE	R RHOMBUS	T STRIPE	



V075-PP-A



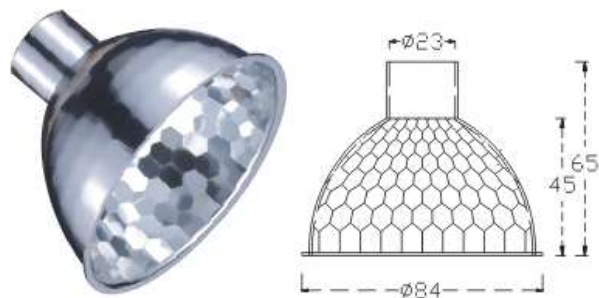
V084-PP-44-A



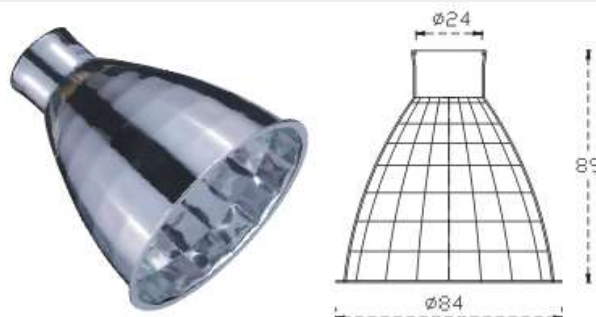
V084-PP-70-A



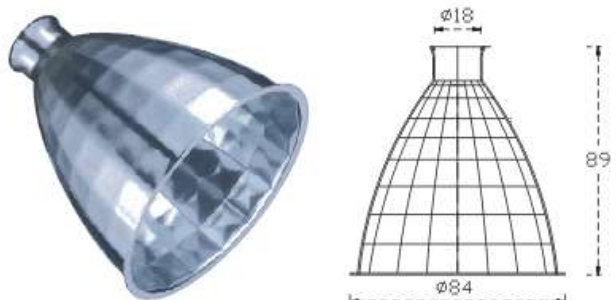
V084-PP-68-A



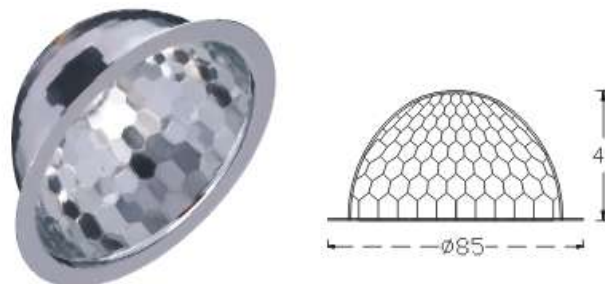
V084-BB-65-A



V084-SS-89-A



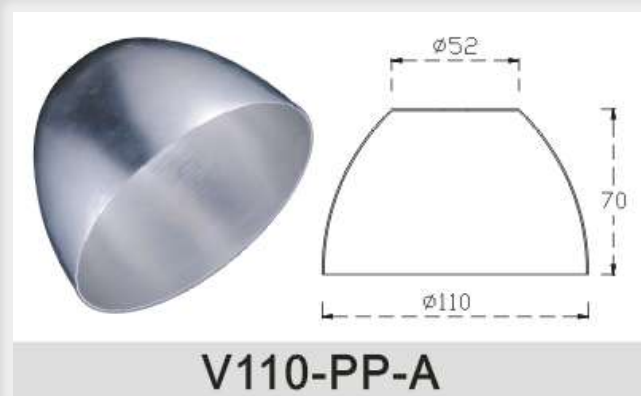
V084-SS-89-A-2



V085-BB-41-A



B BEEHIVE	E EGG	H HAMMER TONE	P PLAIN (SMOOTH)	S SQUARE	W WAVE
D DIAMOND	F FROSTED	L LINE	R RHOMBUS	T STRIPE	





YLI

B BEEHIVE	E EGG	H HAMMER TONE	P PLAIN (SMOOTH)	S SQUARE	W WAVE
D DIAMOND	F FROSTED	L LINE	R RHOMBUS	T STRIPE	





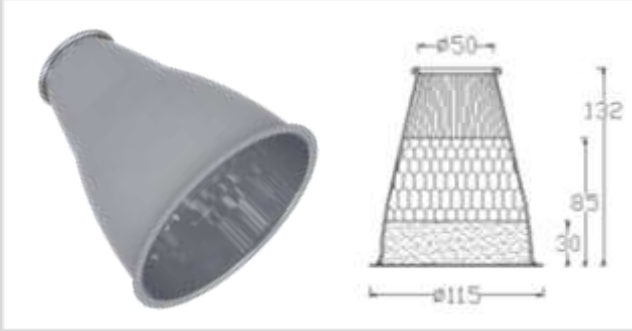
B BEEHIVE	E EGG	H HAMMER TONE	P PLAIN (SMOOTH)	S SQUARE	W WAVE
D DIAMOND	F FROSTED	L LINE	R RHOMBUS	T STRIPE	



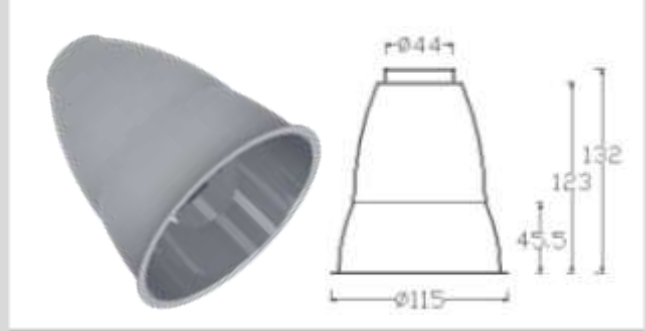


YLI

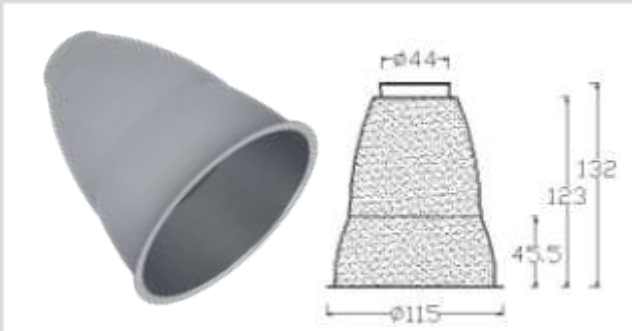
B BEEHIVE	E EGG	H HAMMER TONE	P PLAIN (SMOOTH)	S SQUARE	W WAVE
D DIAMOND	F FROSTED	L LINE	R RHOMBUS	T STRIPE	



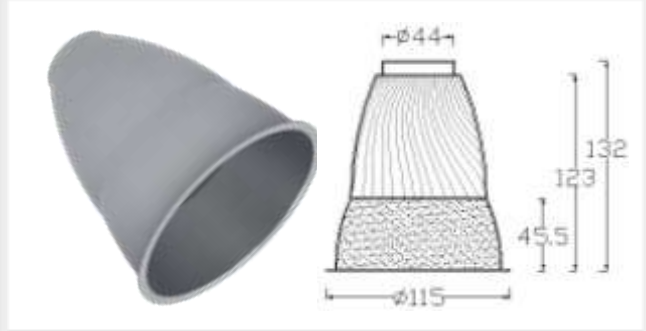
V115-FBL-132-A



V115-PP-132-A



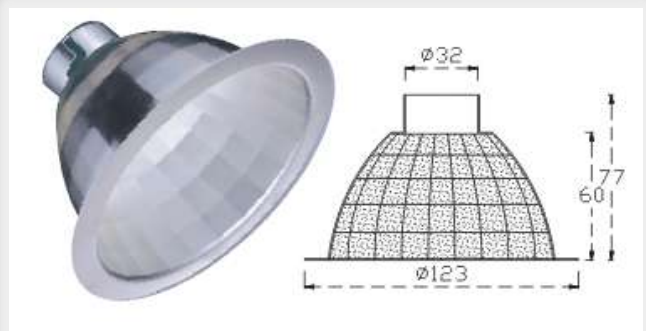
V115-FF-132-A



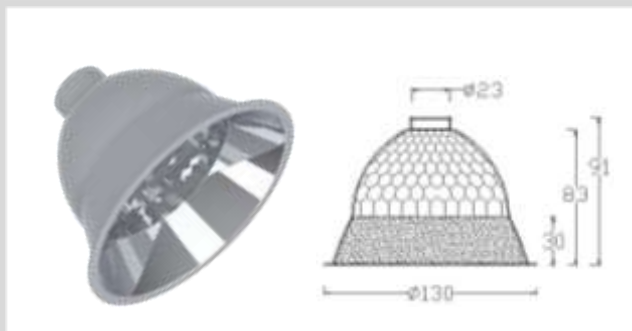
V115-FW-132-A



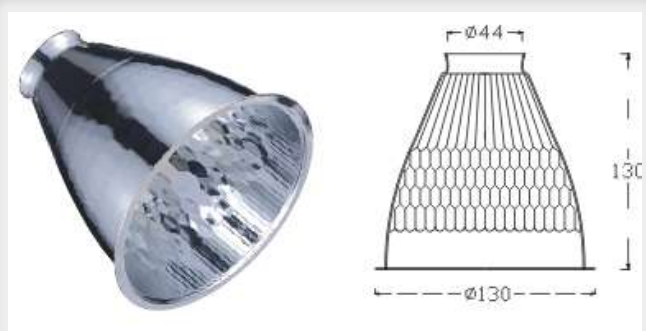
V123-SS-77-A



V123-SF-77-A



V130-FB-091-A

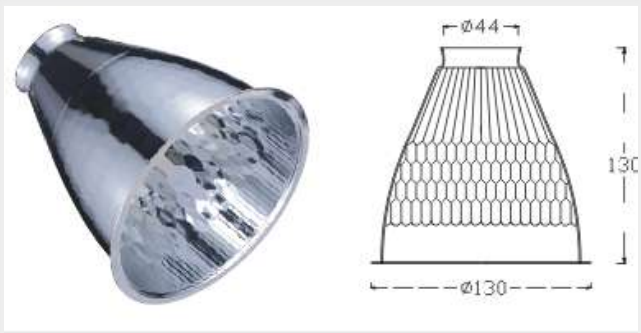


V130-BT-V

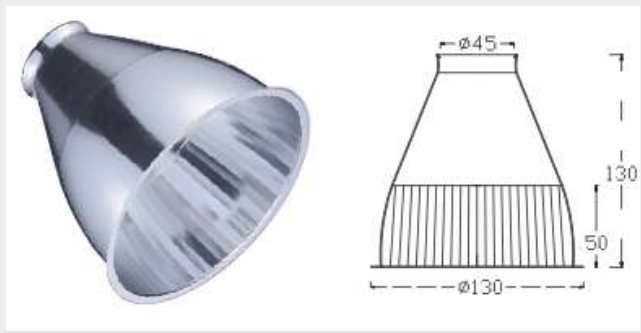


YLI

B BEEHIVE	E EGG	H HAMMER TONE	P PLAIN (SMOOTH)	S SQUARE	W WAVE
D DIAMOND	F FROSTED	L LINE	R RHOMBUS	T STRIPE	



V130-BT-V



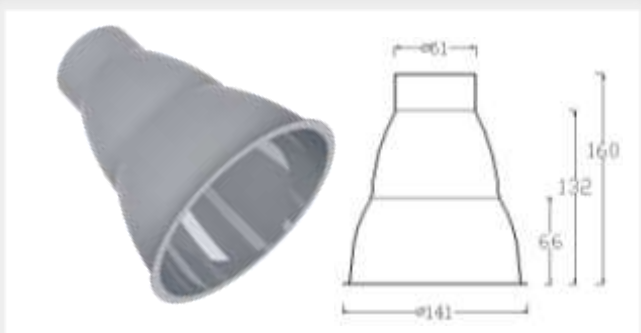
V130-TP-V



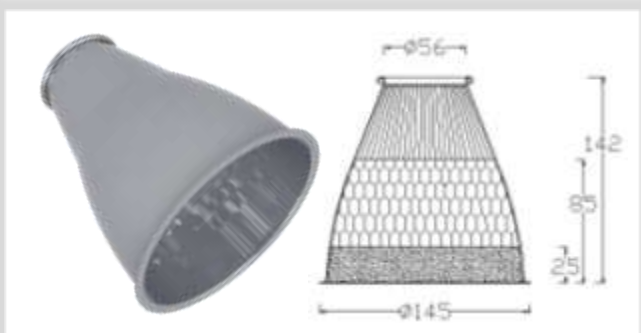
V130-TP-V-2



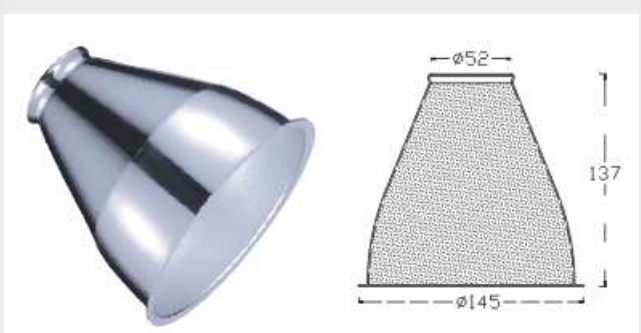
V137-PP-A



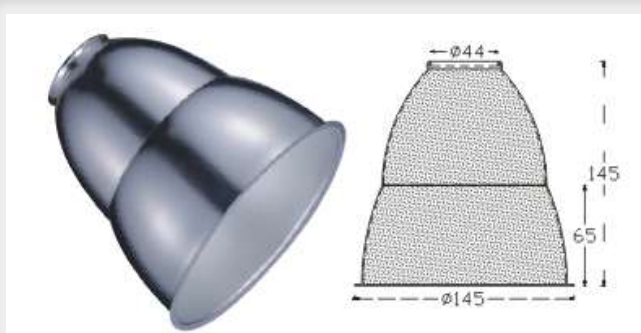
V141-PP-160-A



V145-FBL-142-A



V145-FF-A



V145-FF-A-2



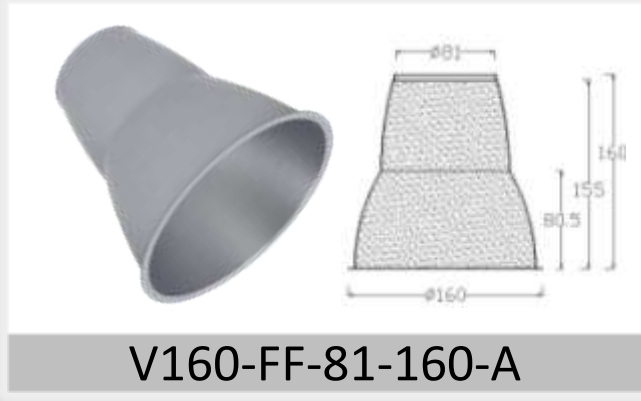
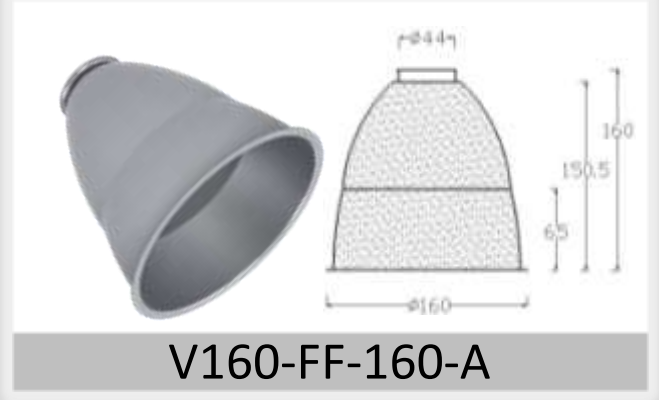
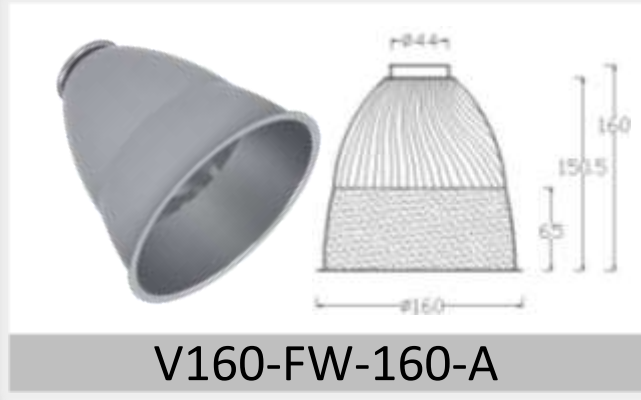
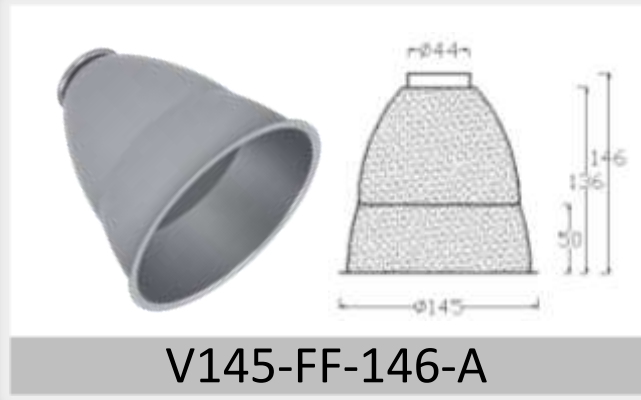
YLI

B BEEHIVE	E EGG	H HAMMER TONE	P PLAIN (SMOOTH)	S SQUARE	W WAVE
D DIAMOND	F FROSTED	L LINE	R RHOMBUS	T STRIPE	





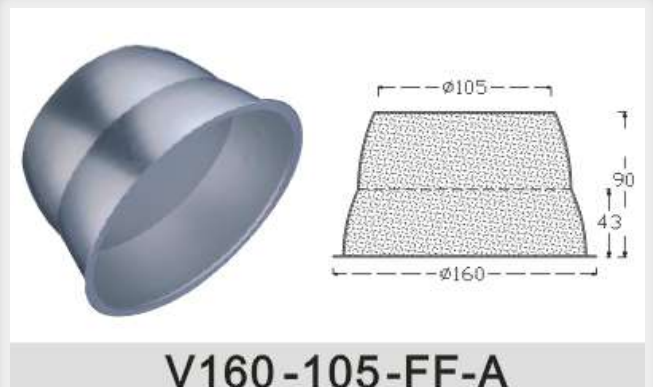
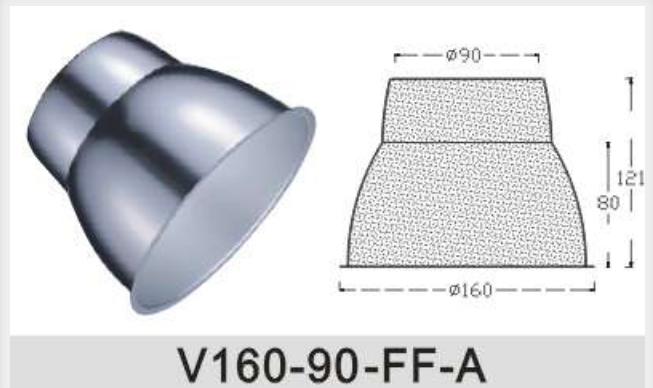
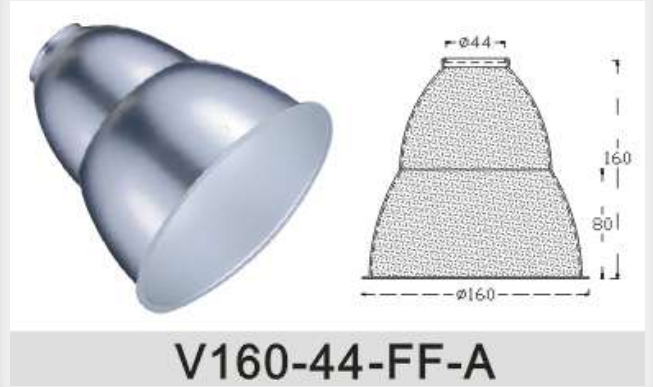
B	E	H	P	S	W
BEEHIVE	EGG	HAMMER TONE	PLAIN (SMOOTH)	SQUARE	WAVE
DIAMOND D	FROSTED F	LINE L	RHOMBUS R	STRIPE T	





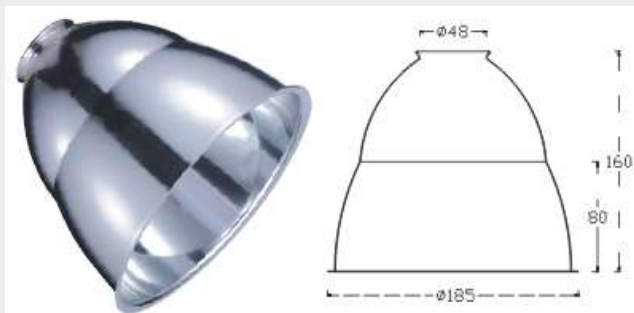
YLI

B BEEHIVE	E EGG	H HAMMER TONE	P PLAIN (SMOOTH)	S SQUARE	W WAVE
D DIAMOND	F FROSTED	L LINE	R RHOMBUS	T STRIPE	

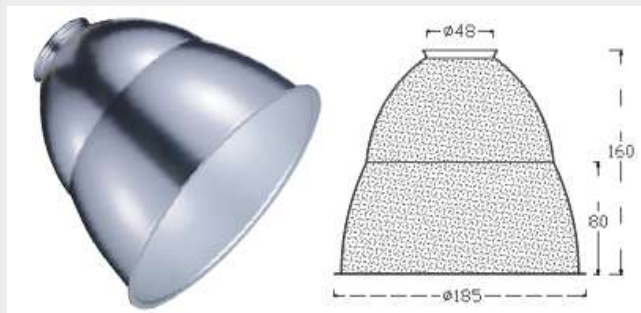




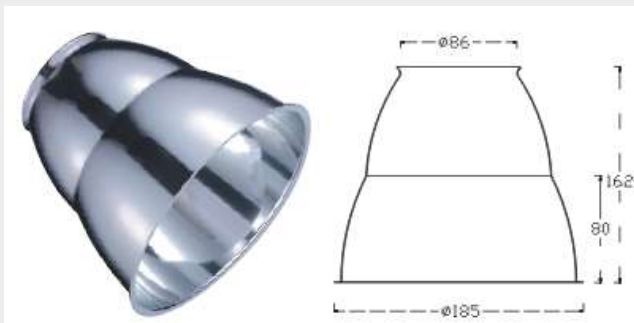
B BEEHIVE	E EGG	H HAMMER TONE	P PLAIN (SMOOTH)	S SQUARE	W WAVE
D DIAMOND	F FROSTED	L LINE	R RHOMBUS	T STRIPE	



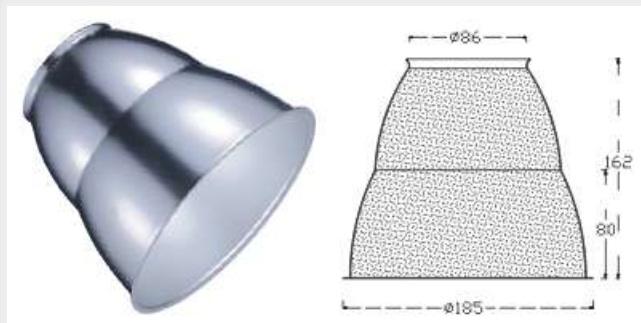
V185-48-PP-A



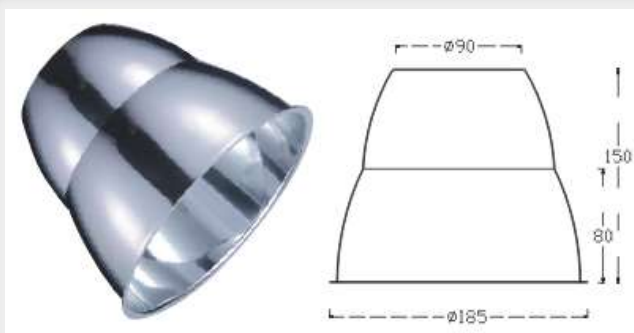
V185-48-FF-A



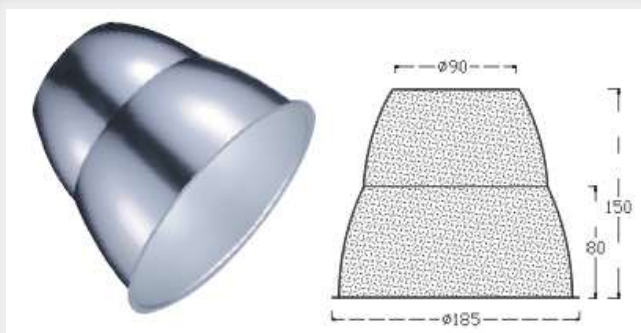
V185-86-PP-A



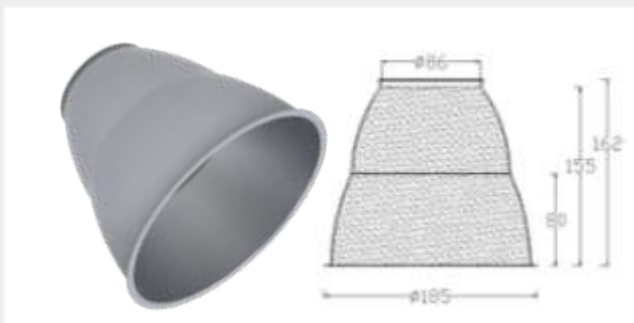
V185-86-FF-A



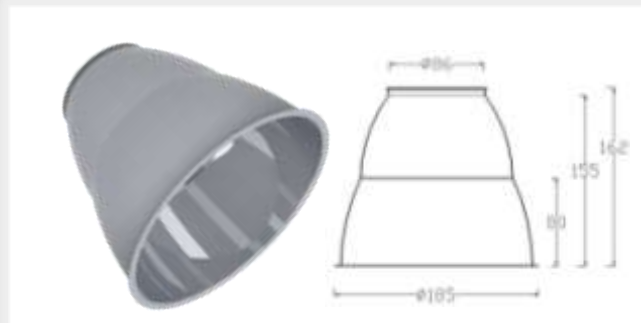
V185-90-PP-A



V185-90-FF-A



V185-FF-86-162-A

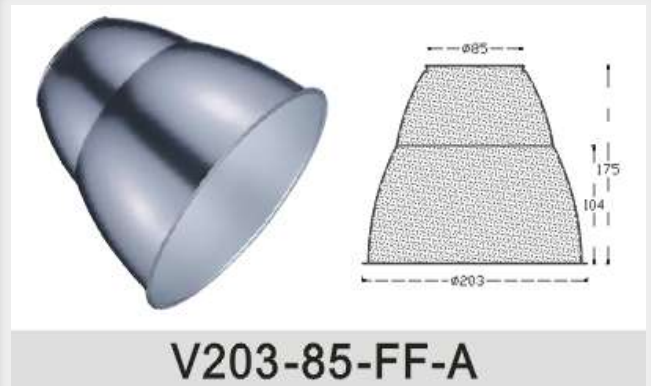
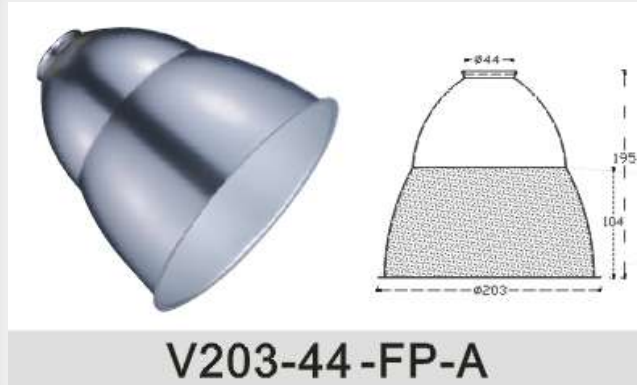


V185-PP-162-A



YLI

B BEEHIVE	E EGG	H HAMMER TONE	P PLAIN (SMOOTH)	S SQUARE	W WAVE
D DIAMOND	F FROSTED	L LINE	R RHOMBUS	T STRIPE	

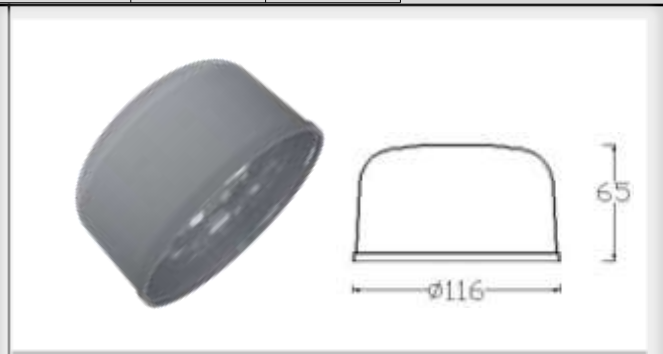




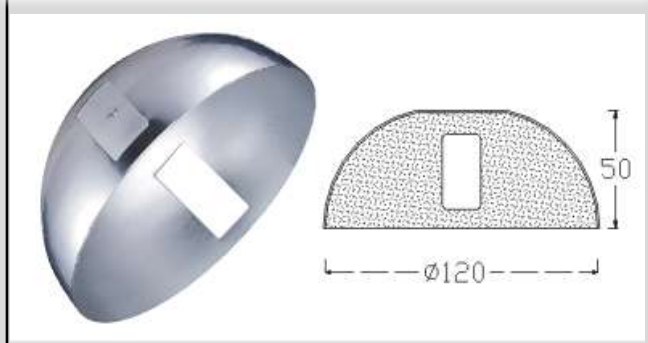
B BEEHIVE	E EGG	H HAMMER TONE	P PLAIN (SMOOTH)	S SQUARE	W WAVE
D DIAMOND	F FROSTED	L LINE	R RHOMBUS	T STRIPE	



H115-TP-A-070-1R



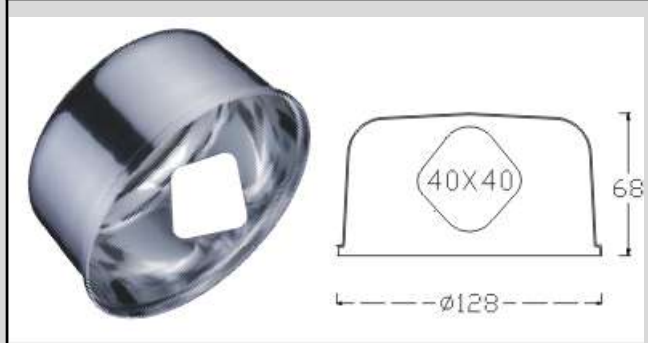
H116-PP-065-A



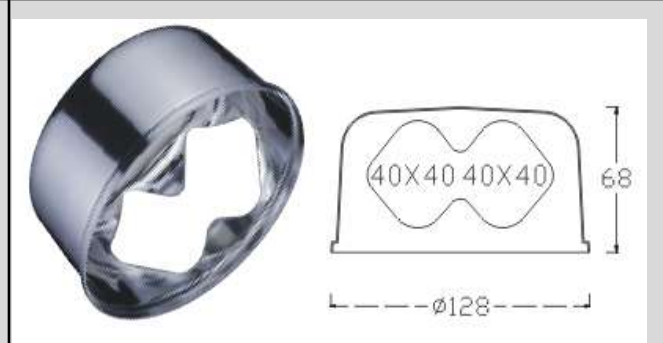
H120-FF-A-050-HQI



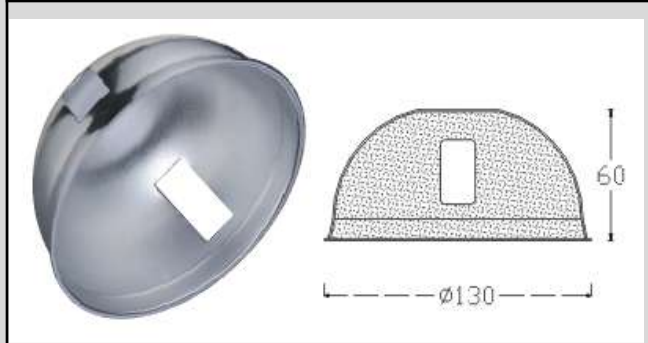
H122-PP-A-062



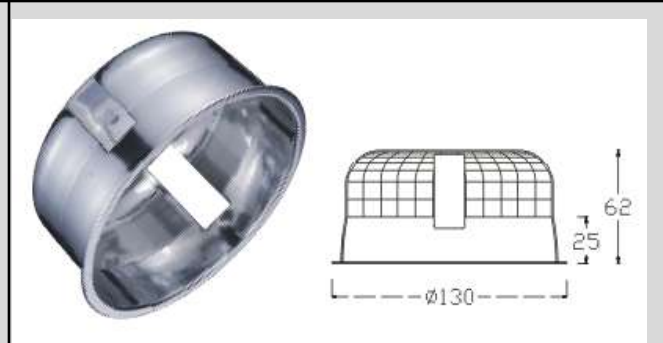
H128-PP-A-068-1H



H128-PP-A-068-2H



H130-FF-A-060-HQI

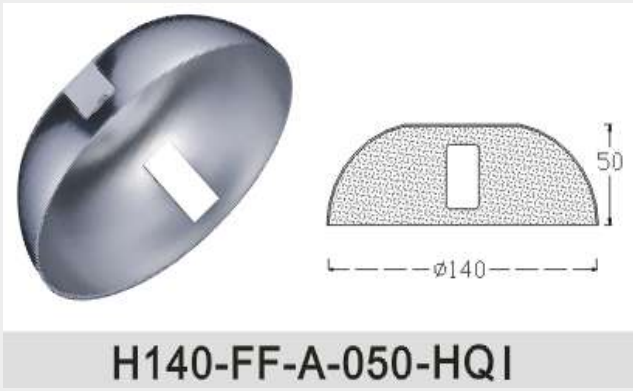
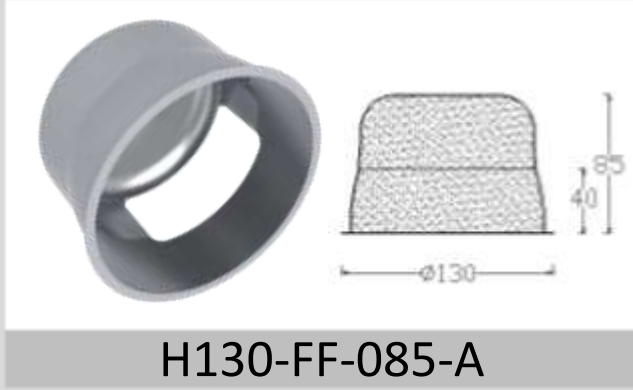


H130-PS-A-062-HQI



YLI

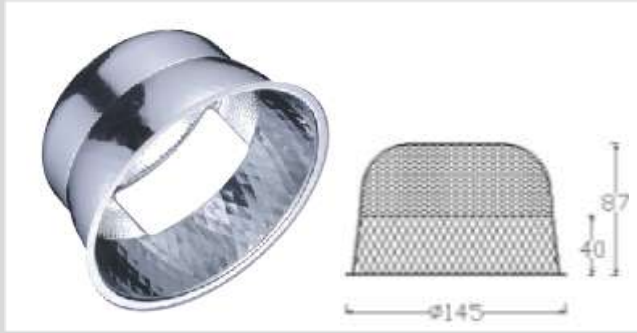
B BEEHIVE	E EGG	H HAMMER TONE	P PLAIN (SMOOTH)	S SQUARE	W WAVE
D DIAMOND	F FROSTED	L LINE	R RHOMBUS	T STRIPE	





H145 SERIES

B BEEHIVE	E EGG	H HAMMER TONE	P PLAIN (SMOOTH)	S SQUARE	W WAVE
D DIAMOND	F FROSTED	L LINE	R RHOMBUS	T STRIPE	



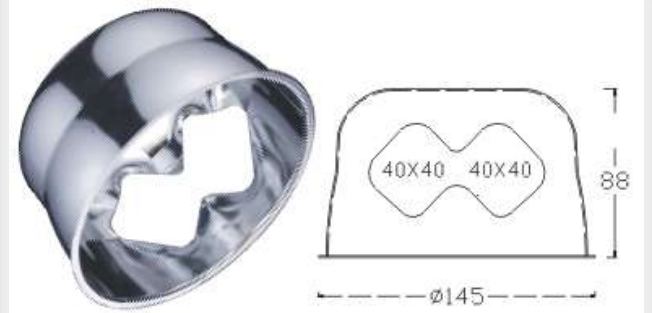
H145-RH-087-A



H145-PP-A-088-2R



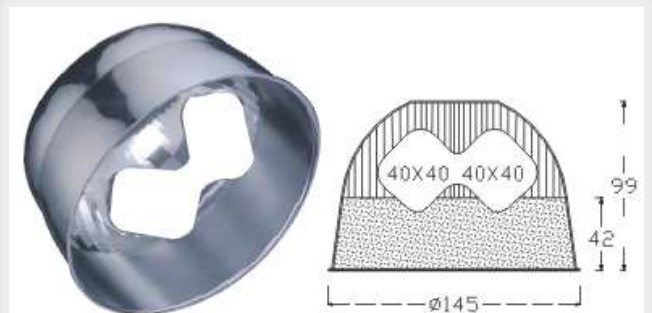
H145-RP-A-088-2R



H145-PP-A-088-2H



H145-TP-A-091-1R

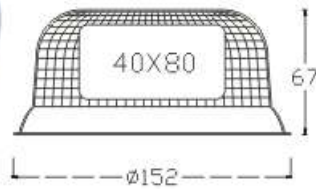


H145-FT-V-099-2H

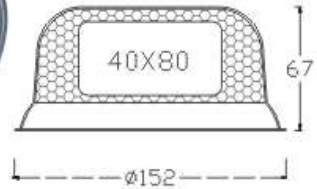


YLI

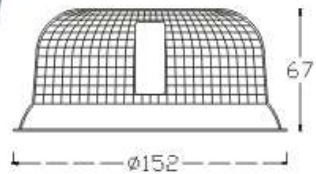
B BEEHIVE	E EGG	H HAMMER TONE	P PLAIN (SMOOTH)	S SQUARE	W WAVE
D DIAMOND	F FROSTED	L LINE	R RHOMBUS	T STRIPE	



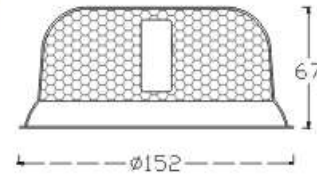
H152-PS-A-067-2R



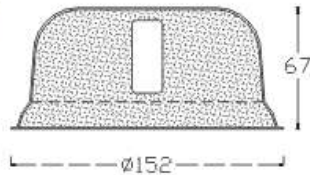
H152-PH-A-067-2R



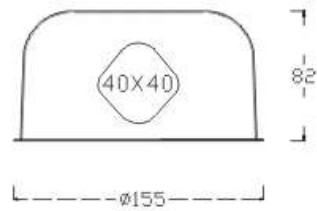
H152-PS-A-067-HQI



H152-PH-A-067-HQI



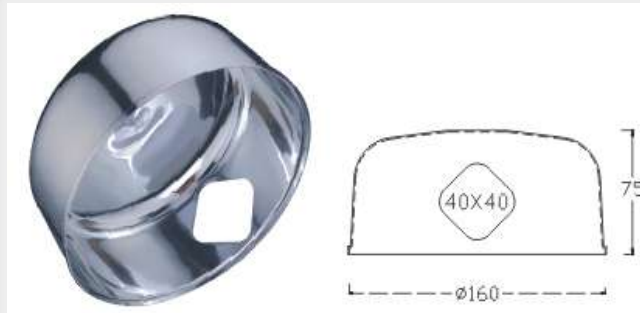
H152-FF-A-067-HQI



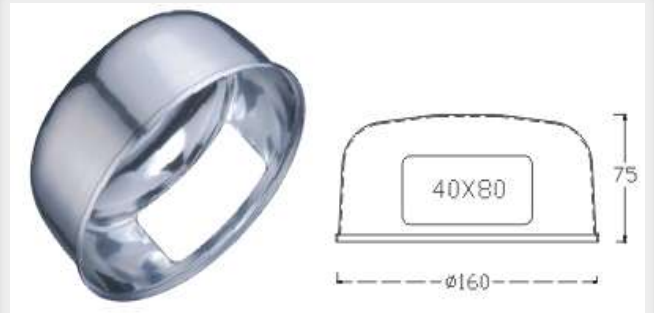
H155-PP-A-082-1H

H160 SERIES

B BEEHIVE	E EGG	H HAMMER TONE	P PLAIN (SMOOTH)	S SQUARE	W WAVE
D DIAMOND	F FROSTED	L LINE	R RHOMBUS	T STRIPE	



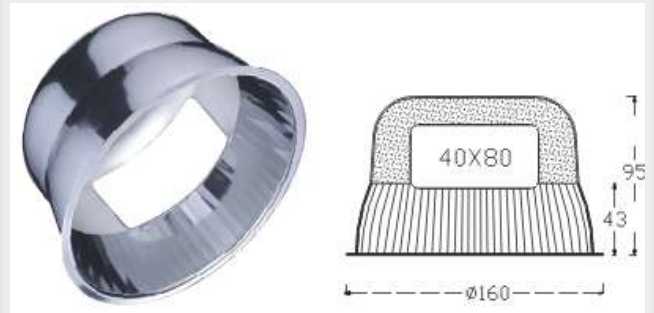
H160-PP-A-075-1H



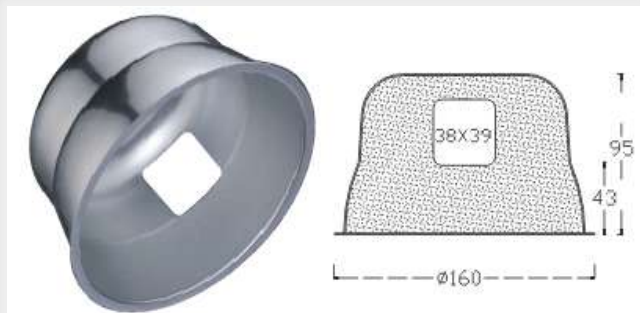
H160-PP-A-075-2R



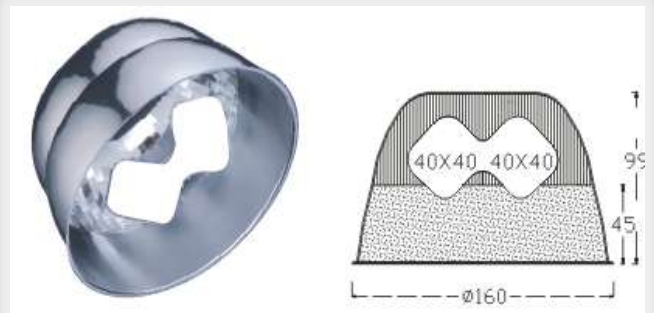
H160-PF-A-095-1A



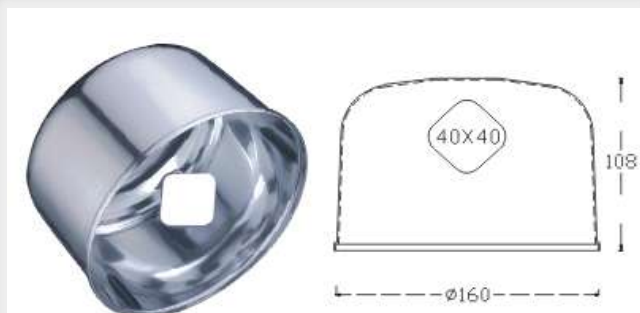
H160-TF-A-095-2R



H160-FF-A-095-1R



H160-FT-V-099-2H

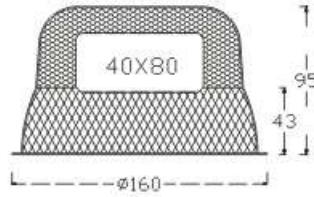


H160-PP-A-108-1H

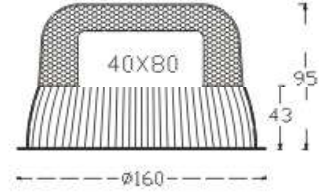
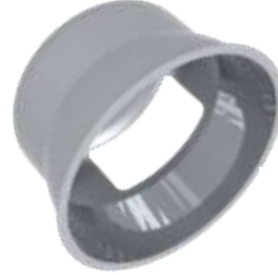


YLI

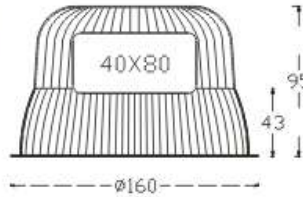
B BEEHIVE	E EGG	H HAMMER TONE	P PLAIN (SMOOTH)	S SQUARE	W WAVE
D DIAMOND	F FROSTED	L LINE	R RHOMBUS	T STRIPE	



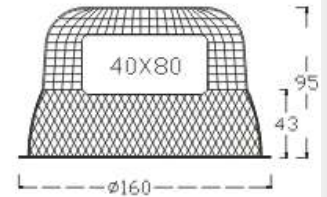
H160-RH-V-095-2R



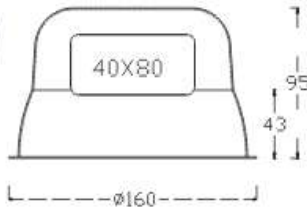
H116-PP-065-A



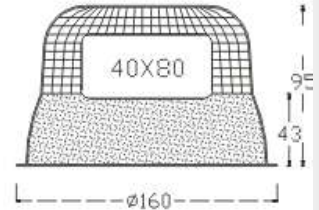
H160-TT-V-095-2R



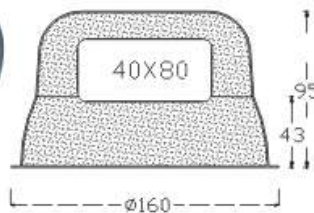
H160-RS-V-095-2R



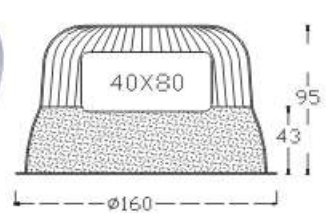
H160-PP-A-095-2R



H160-FS-A-095-2R



H160-FF-A-095-2R

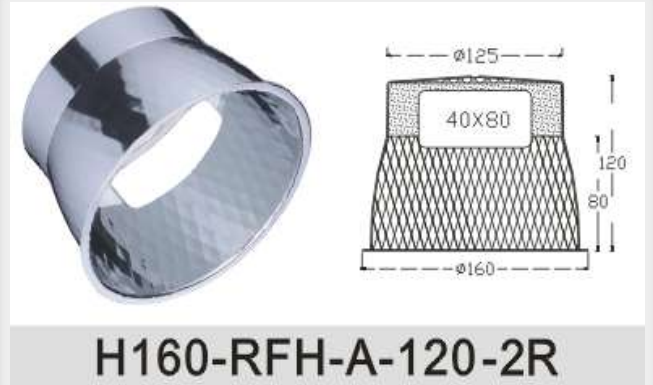


H160-FT-A-095-2R



H160/H177/H179 SERIES

B BEEHIVE	E EGG	H HAMMER TONE	P PLAIN (SMOOTH)	S SQUARE	W WAVE
D DIAMOND	F FROSTED	L LINE	R RHOMBUS	T STRIPE	

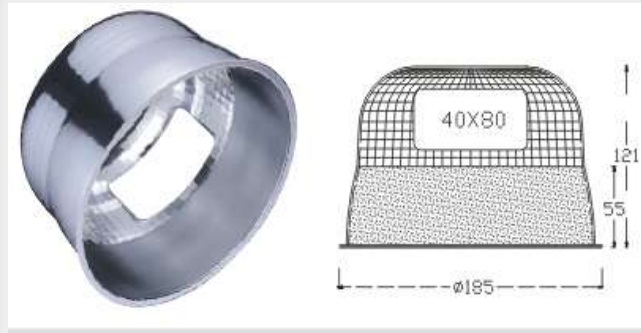




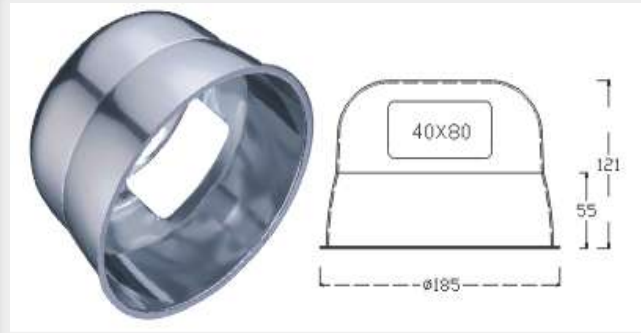
YLI

H185/H190/H195 SERIES

B BEEHIVE	E EGG	H HAMMER TONE	P PLAIN (SMOOTH)	S SQUARE	W WAVE
D DIAMOND	F FROSTED	L LINE	R RHOMBUS	T STRIPE	



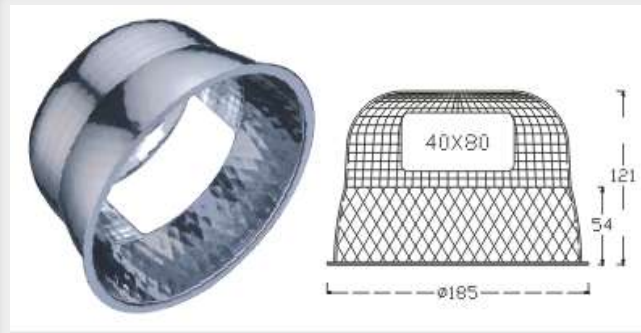
H185-FS-A-121-2R



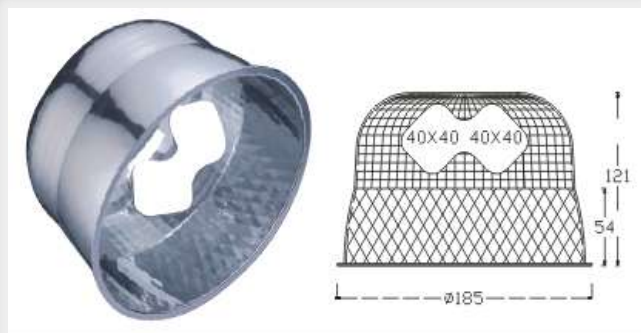
H185-PP-A-121-2R



H185-PS-A-121-2R



H185-RS-V-121-2R



H185-RS-A-121-2H



H190-PP-A-072-2R

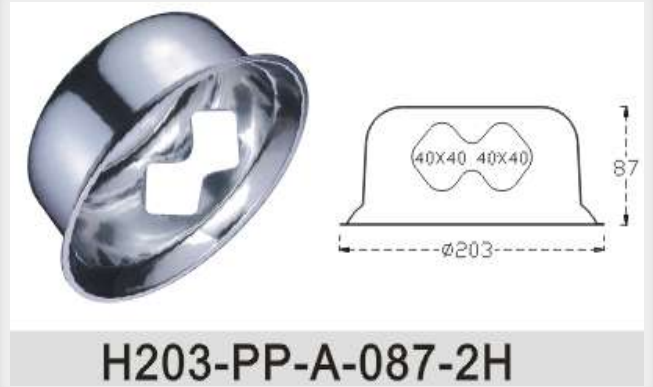


H195-TPH-A-091-2A



H201/H203 SERIES

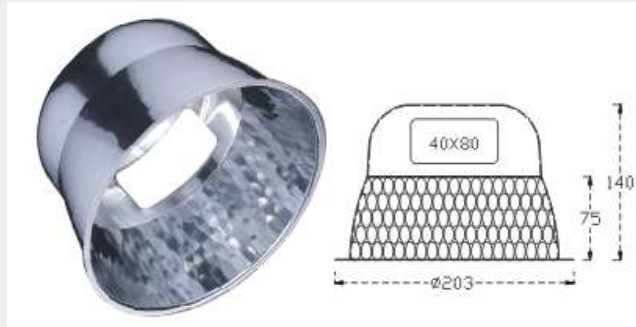
B BEEHIVE	E EGG	H HAMMER TONE	P PLAIN (SMOOTH)	S SQUARE	W WAVE
D DIAMOND	F FROSTED	L LINE	R RHOMBUS	T STRIPE	



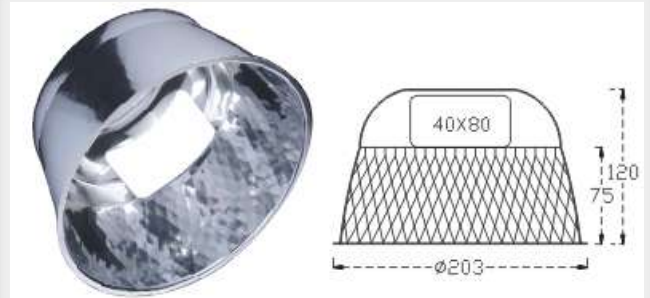


YLI

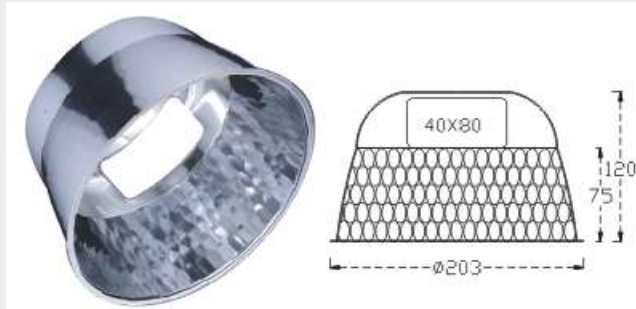
B BEEHIVE	E EGG	H HAMMER TONE	P PLAIN (SMOOTH)	S SQUARE	W WAVE
D DIAMOND	F FROSTED	L LINE	R RHOMBUS	T STRIPE	



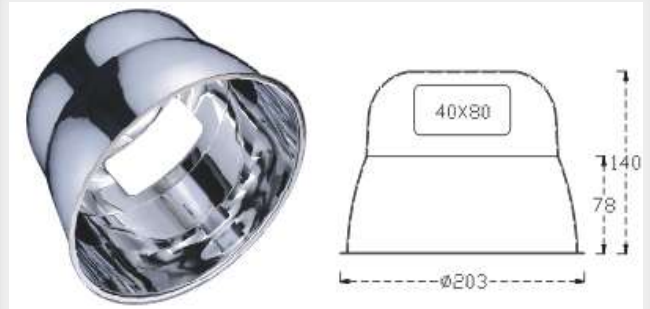
H203-EP-A-140-2R



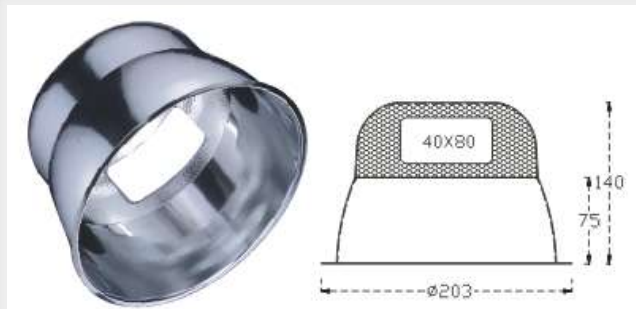
H203-RP-V-120-2R



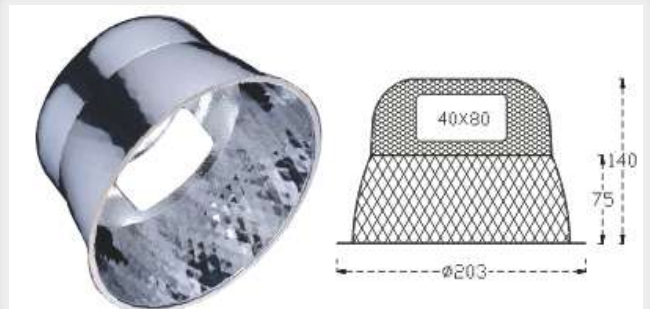
H203-EP-A-120-2R



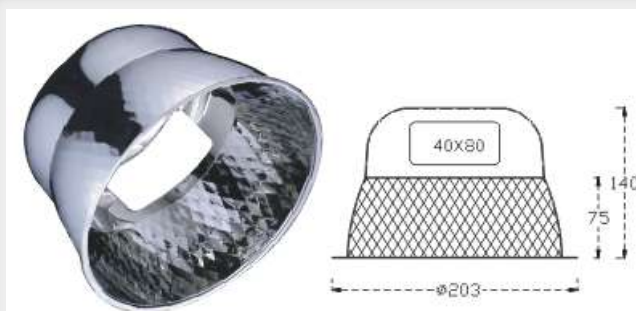
H203-PP-A-140-2R



H203-PH-V-140-2R



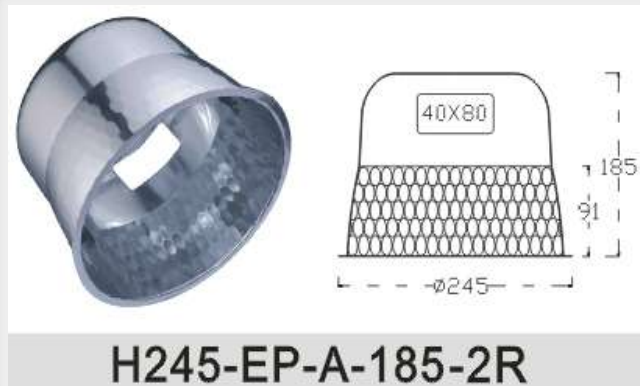
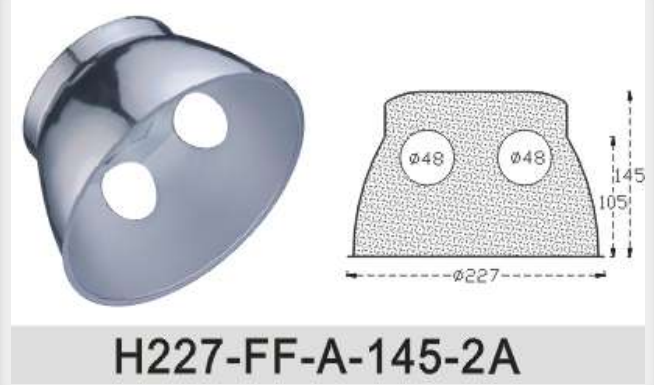
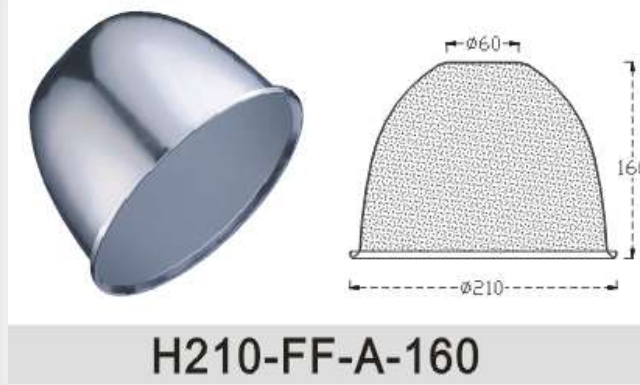
H203-RH-V-140-2R



H203-RP-V-140-2R

H210/H227/H245/H265/H320 SERIES

B BEEHIVE	E EGG	H HAMMER TONE	P PLAIN (SMOOTH)	S SQUARE	W WAVE
D DIAMOND	F FROSTED	L LINE	R RHOMBUS	T STRIPE	

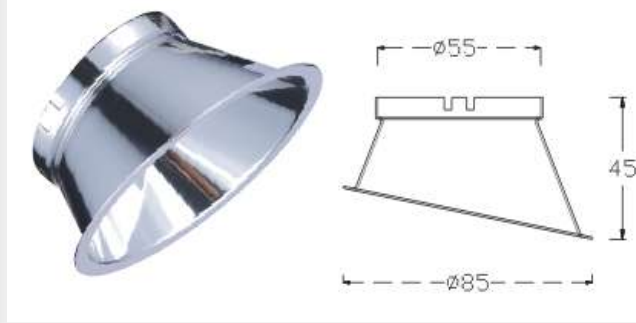




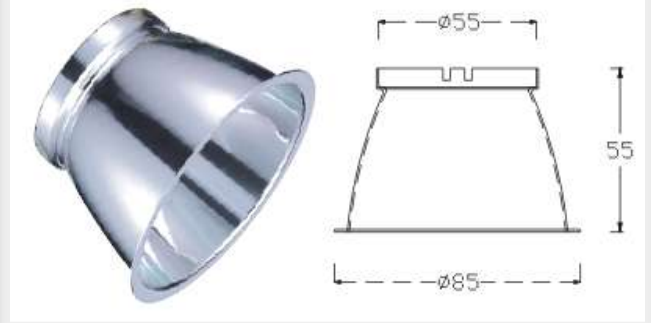
YLI

UNIQUE REFLECTOR Q SERIES

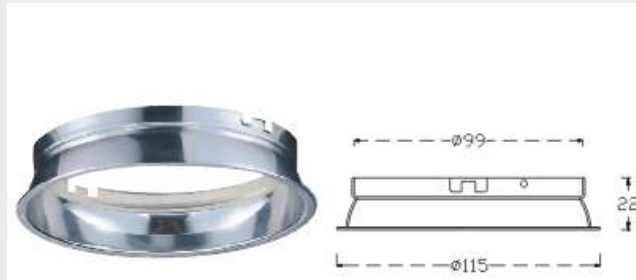
B BEEHIVE	E EGG	H HAMMER TONE	P PLAIN (SMOOTH)	S SQUARE	W WAVE
D DIAMOND	F FROSTED	L LINE	R RHOMBUS	T STRIPE	



Q085-055-45-P



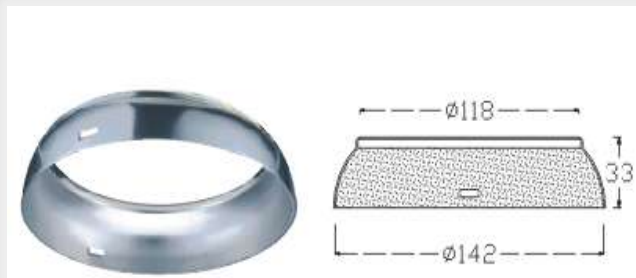
Q085-055-55-P



Q115-099-22-P



Q115-099-44-P



Q142-118-33-F



Q145-130-28-P



Q160/Q182 SERIES

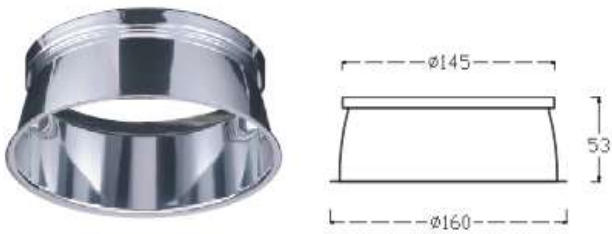
B BEEHIVE	E EGG	H HAMMER TONE	P PLAIN (SMOOTH)	S SQUARE	W WAVE
D DIAMOND	F FROSTED	L LINE	R RHOMBUS	T STRIPE	



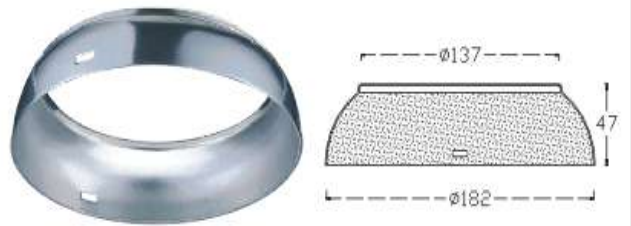
Q160-145-35-R



Q160-145-35-P



Q160-145-53-P



Q182-137-47-F



YLI

Q185/Q203/Q365 SERIES

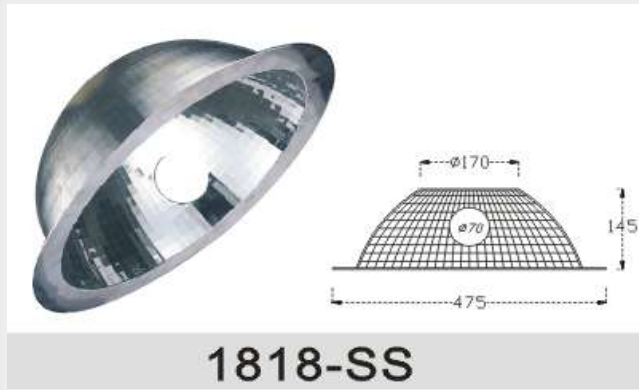
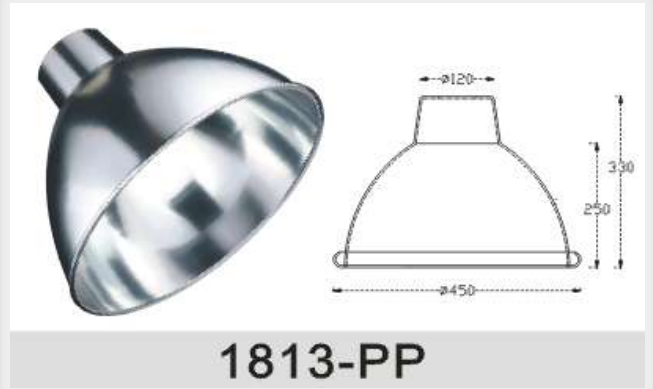
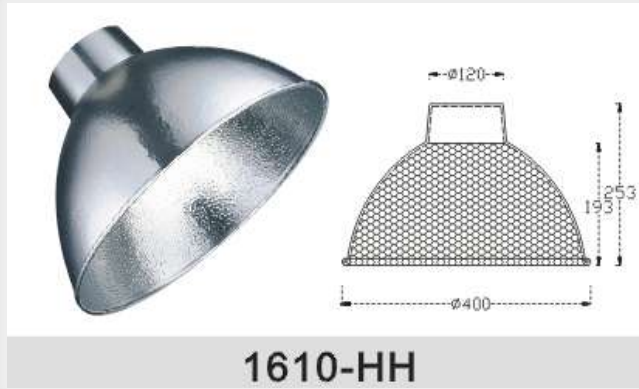
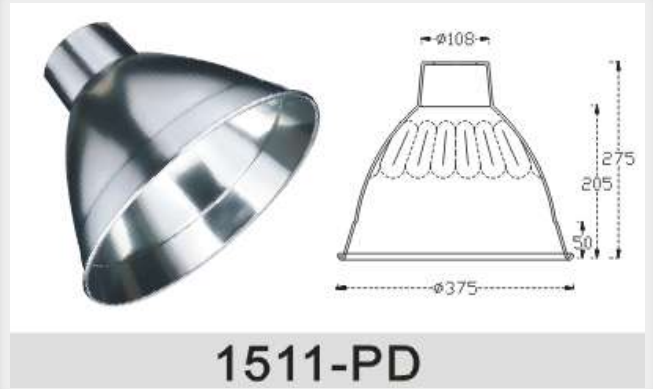
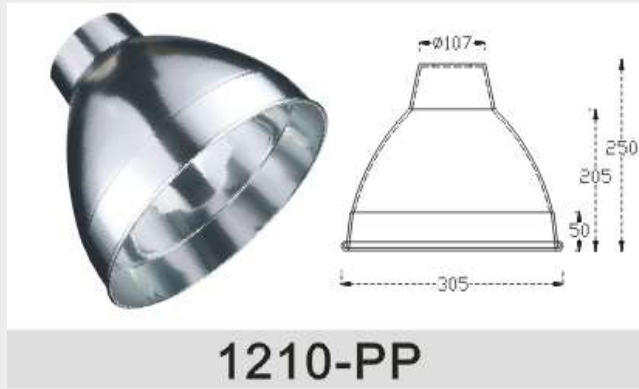
B BEEHIVE	E EGG	H HAMMER TONE	P PLAIN (SMOOTH)	S SQUARE	W WAVE
D DIAMOND	F FROSTED	L LINE	R RHOMBUS	T STRIPE	





OTHER SERIES

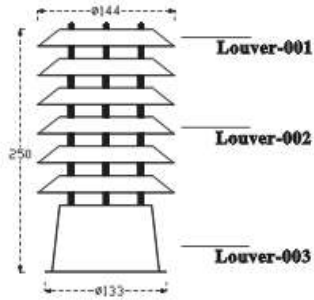
B BEEHIVE	E EGG	H HAMMER TONE	P PLAIN (SMOOTH)	S SQUARE	W WAVE
D DIAMOND	F FROSTED	L LINE	R RHOMBUS	T STRIPE	



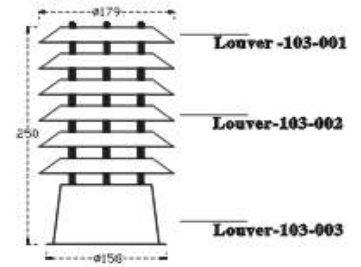


YLI

B BEEHIVE	E EGG	H HAMMER TONE	P PLAIN (SMOOTH)	S SQUARE	W WAVE
D DIAMOND	F FROSTED	L LINE	R RHOMBUS	T STRIPE	



Model 6-01



Model 6-02



CONTACT DETAILS

MALAYSIA

HEAD QUARTER AND MANUFACTURE BASE

YLI INDUSTRY SDN. BHD. (504654-U)

PT 14504, PERSIARAN BATU GAJAH PERDANA 6, TAMAN BATU GAJAH PERDANA, 31550 PUSING, PERAK, MALAYSIA.

TEL: +60-5-366 5227(HUNTING LINE), 366 7227, 366 8227, 366 9227 FAX: +60-5-365 3227, 365 1227

Email: info@yli-ind.com.my

Website: www.yli-ind.com.my

VITALITE INDUSTRY SDN. BHD. (761755-P)

LOT 125 & 126, HALA PERUSAHAAN MENGLEMBU 11, 31450 MENGLEMBU, IPOH, PERAK, MALAYSIA.

TEL: +60-5-282 5227, 282 3227

FAX: +60-5-282 0227

Email: www.vitalite@yli-ind.com.my

Website: www.yli-ind.com.my

CHINA

UP-LITE LIGHTING CO., LTD.

NO. 14, YONG LONG INDUSTRIAL AREA, NANSHA JUN'AN TOWN, SHUNDE, FOSHAN CITY, GUANGDONG, CHINA. POSTCODE: 528329.

TEL: +86-757-2559 3227, 2559 0227

FAX: +86-757-2559 2227

Email: zhongliang227@163.com

Website: www.yli-ind.com.my

SINGAPORE

UPPLITE TRADING

AMK TECHLINK, BLK 20 ANG MO KIO, INDUSTRIAL PARK 2A, UNIT 02-28, SINGAPORE 567761.

TEL: +65-6484 0073,

FAX: +65-6484 0072

Email: upplite@yahoo.com.sg

SALES AND SERVICE

UP-RIGHT MARKETING SDN. BHD. (571081-A)

IPOH - PERAK MAIN

PT 14504, PERSIARAN BATU GAJAH PERDANA 6, TAMAN BATU GAJAH PERDANA, 31550 PUSING, IPOH, PERAK, MALAYSIA.

TEL: +60-5-366 6227(HUNTING LINE), 366 4227, 365 4227

FAX: +60-5-366 1227

Email: info.upr@yli-ind.com.my

Website: www.yli-ind.com.my

P.J. - SELANGOR BRANCH

NO. 26, JALAN PETALING UTAMA 8, TAMAN PETALING UTAMA, BATU 7, JALAN KLANG LAMA, 46000 PETALING JAYA, SELANGOR, MALAYSIA.

TEL: +60-3-7782 9227

FAX: +60-7-355 6227

J.B. - JOHOR BRANCH

NO. 17, JALAN BAKAWALI 52, TAMAN JOHOR JAYA, 81100 JOHOR BAHRU, JOHOR, MALAYSIA.

TEL: +60-7-353 9227

FAX: +60-7-355 6227

BUTTERWORTH-PENANG BRANCH

NO. 7071, JALAN ONG YI HOW, KAWASAN INDUSTRI RINGAN TERAS JAYA, 13400 BUTTERWORTH, PENANG, MALAYSIA.

TEL: +60-4-322 8227, 332 6227

FAX: +60-4-329 9227

KOTA KINABARU-SABAH BRANCH

LOT 82, LOK KAWI LIGHT INDUSTRIAL ESTATE, PHASE II, KM 19, JALAN PENAMPANG, PAPAR LAMA, LOK KAWI,

KIUARUT, DISTRICT OF PAPAR, 89608 SABAH, MALAYSIA.

TEL: +60-88-75 0227

FAX: +60-88-75 4227

MIRI-SARAWAK BRANCH

LOT 3523, PERMY TECHNOLOGY PARK, BANDAR BARU PERMYJAYA, 9800 MIRI, SARAWAK, MALAYSIA.

TEL: +60-85-40 8227

FAX: +60-85-63 5227