

MALAYSIA

HEAD QUARTER AND MANUFACTURE BASE

YLI INDUSTRY SDN. BHD.
(504654-U)

PT 14504, Persiaran Batu Gajah Perdana 6, Taman Batu Gajah Perdana, 31550 Pusing, Perak, Malaysia
Tel: +60-5-366 5227 (Hunting Line), 366 7227, 366 8227, 366 9227 Fax: +60-5-365 3227, 365 1227
Email: yli @ streamyx.com Website: www. yli-ind. com. my

SINGAPORE

UPPLITE TRADING

Amk Techlink, Blk 20, Ang Mo Kio Industrial Park 2A, Unit 02-28, Singapore 567761
Tel: +65-64840073 Fax: +65-6484 0072
Email: upplite @ yahoo. com. sg

CHINA

UP-LITE LIGHTING ACCESSORIES FACTORY

No.1, Yong Long Industrial Area, Nansha Jun'an Town, Shunde, Foshan City, China, Postcode 528329
Tel: +86-757-2559 3227, 2559 0227 Fax: +86-757-2559 2227
Email: zhongliang 227 @ 163. com Website: www. yli-china. com



YLI INDUSTRY SDN. BHD.
(504654-U)
WE MAKE LIGHTS BRIGHTER

DOWN LIGHT & CEILING LIGHT 2010

SALES AND SERVICE

UP-RIGHT MARKETING SDN. BHD.
(571081-A)

IPOH - PERAK MAIN

PT 14504, Persiaran Batu Gajah Perdana 6, Taman Batu Gajah Perdana, 31550 Pusing, Perak, Malaysia
Tel: +60-5-366 6227 (Hunting Line), 366 4227, 365 4227 Fax: +60-5-366 1227
Email: uprmarketing @ gmail. com Website: www. up-right. com. my

P.J. - SELANGOR BRANCH

No.26, Jalan Petaling Utama 8, Taman Petaling Utama, Batu 7, Jalan Klang Lama, 46000 Petaling Jaya, Selangor, Malaysia
Tel: +60-3-7782 9227 Fax: +60-3-7781 0227

J.B. - JOHOR BRANCH

No.17, Jalan Bakawali 52, Taman Johor Jaya, 81100 Johor Bahru, Johor, Malaysia
Tel: +60-7-353 9227 Fax: +60-7-355 6227

BUTTERWORTH - PENANG BRANCH

No.7071, Jalan Ong Yi How, Kawasan Industri Ringan Teras Jaya, 13400 Butterworth, Penang, Malaysia
Tel: +60-4-332 8227, 332 6227 Fax: +60-4-329 9227

KOTA KINABARU - SABAH BRANCH

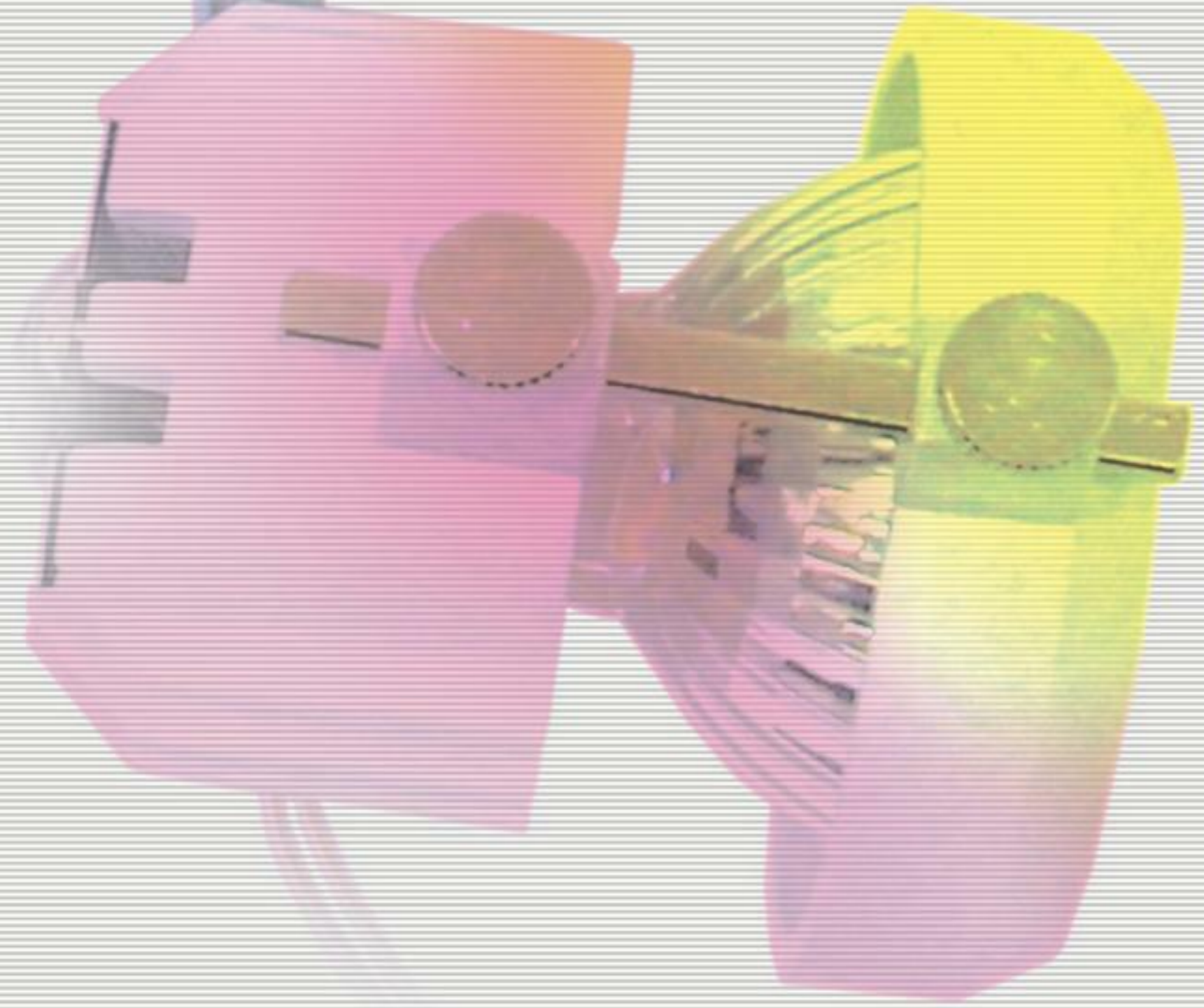
Lot 82, Lok Kawi Light Industrial Estate, Phase II, km 19, Jalan Penampang, Papar Lama, Lok Kawi, Kluang, District of Papar, Sabah, Malaysia
Tel: +60-88-75 0227 Fax: +60-88-75 4227

MIRI - SARAWAK BRANCH

Lot 3523, Permy Technology Park, Bandar Baru Permyjaya, 98000 Miri, Sarawak, Malaysia



- 1** CONTENTS
- 2** BRIEF INTRODUCTION
- 3** GENERAL SPECIFICATIONS
- 4** FACET DESIGN CODE
- 5** INDEX BY MODEL



CONTENTS

6 - 13

Recessed Vertical Down Light for Compact
Fluorescent Lamp - PLC / FDL-G

14 - 19

Recessed Vertical Down Light for Compact
Fluorescent Lamp - PLCE / EFD / EFS

20 - 36

Recessed Horizontal Down Light for Compact
Fluorescent Lamp - PLC / FDL-G

37 - 39

Recessed Horizontal Down Light for Compact
Fluorescent Lamp - PLCE / EFD / EFS

40 - 47

Recessed Square Down Light

48 - 65

Recessed Halogen Down Light

66 - 69

Spot Track Light

70 - 71

Ceiling Light / Suspended Light

72 - 76

Surface Down Light

77 - 78

Toshiba Lamp



BRIEF INTRODUCTION

YLI INDUSTRY SDN BHD established since 1993 has the experience in the moulding and tooling industry for more than 10 years. With its strong background, **YLI** diversified into lighting manufacturing & is now one of the fastest growing manufacturers of lighting fixtures for interior & exterior applications in *Malaysia*

The core products of YLI are :-

in DOOR LIGHTING

Down Light ; Fluorescent Luminaires ; Track Light ; Spot Light ; Ceiling Light ; High & Low Bay .

out DOOR LIGHTING

Garden & Street Lighting ; Wall Light ; Flood Light ; Buried - up Lighter ; Bollard & Up - down Light .

ACCESSORIES / ATTACHMENTS

Lamp Holder ; Starter Holder ; Anodized Aluminum Reflector ; Connecting Devices .

With the combination of advanced moulding machines & in-house R & D , **YLI** manufactures high quality products for global market , at competitive pricing so to meet the specific needs and requirements of customers.

HOUSING

- Mild Steel and / or Aluminium Die Cast

RIM / FRAME

- Mild Steel and / or Aluminium Die Cast
- Optional with Chrome

FINISHING

- Electrostatically Coated with Epoxy Powder

DIFFUSER

- Tempered Glass Finished in Frosted ; Semi Frosted
- Acrylic or Polycarbonate

HOLDER

- Moulded Housing from Polycarbonate with Bronze Conductor and /or
- Moulded Housing from Ceramic with Bronze Conductor

LIGHT SOURCE

- Compact Fluorescent Lamp, Halogen Lamp, HID Lamp

ELECTRICAL

- 240v , 50Hz , as standard others standard on request

APPLICATION

- Recess Mounded in Tee Bar Ceiling or Plaster Ceiling
- Surface Mounded on all type of Ceiling and Wall

PROTECTION

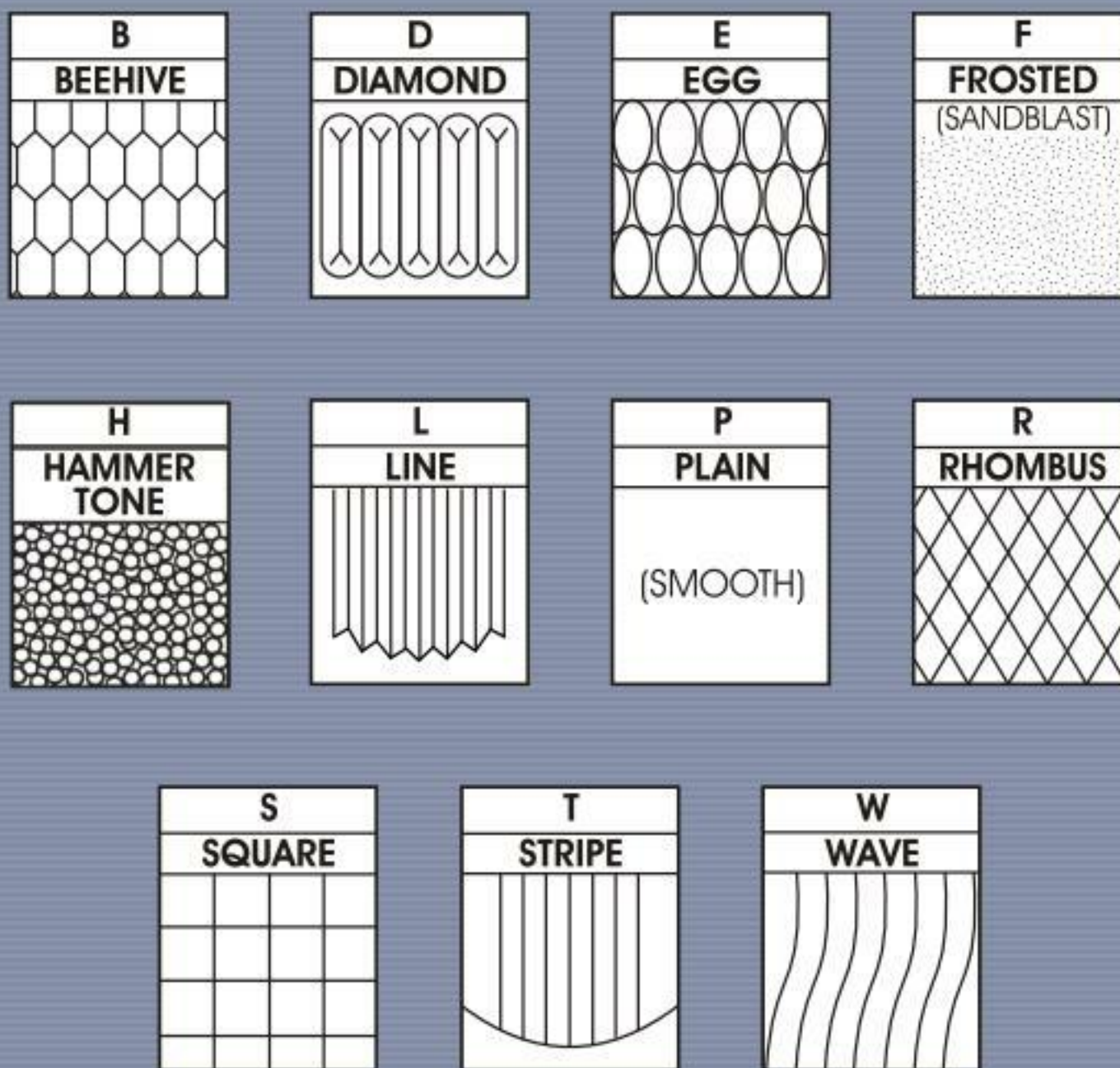
- Degree of Protection IP 20 suitable for most of The Indoor Areas of Commercial , industrial & Domestic

TYPE OF PROTECTION

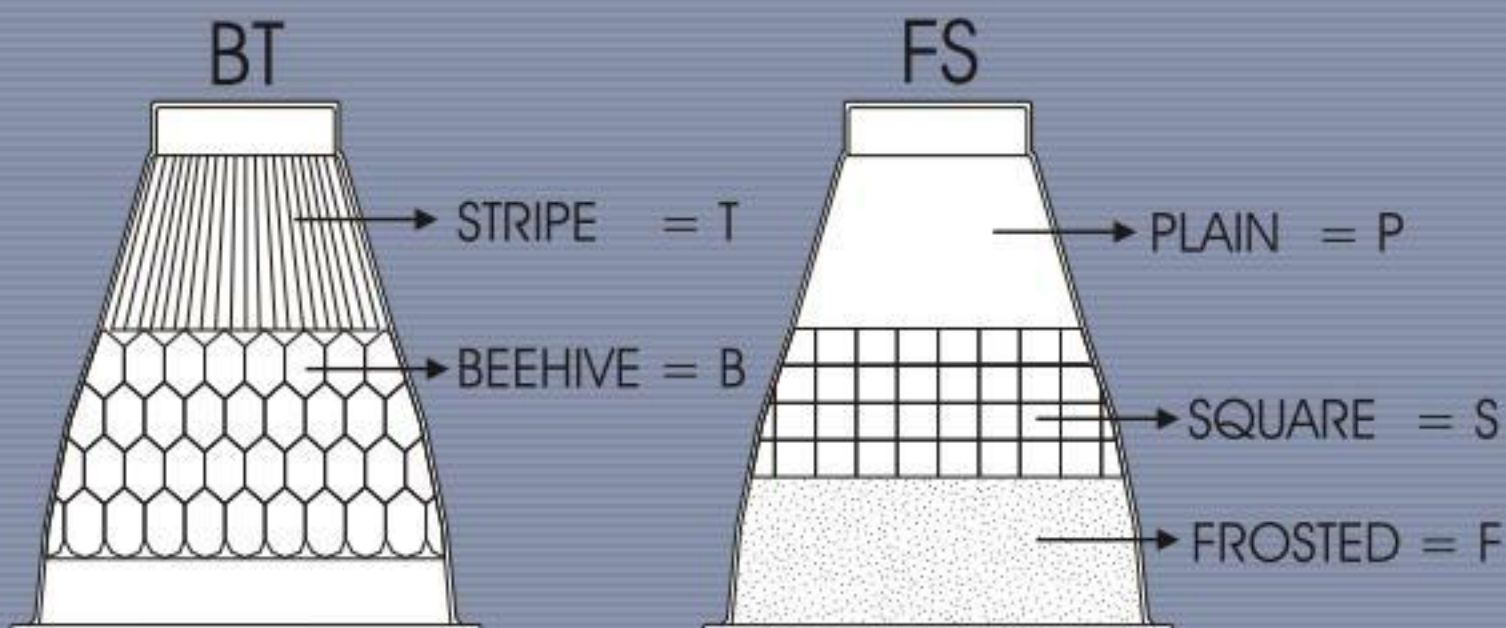
- Class 1

Yli Industry Sdn. Bhd. reserves the rights to alternate the specifications of its product at any time without prior notice.

FACET DESIGN CODE



FOR EXAMPLE





INDEX BY MODEL

Model	Description	Page	Model	Description	Page	Model	Description	Page
75	Rec Halogen D Light	49	7606E	Rec Horizontal D Light(CFL)-PLC/FDL-G	23	BDH 90	Rec Halogen D Light	58
82	Rec Halogen D Light	49	7606RC	Rec Horizontal D Light(CFL)-PLC/FDL-G	24	CM7900	Rec Horizontal D Light(CFL)-PLC	34
100	Rec Halogen D Light	49	7610	Rec Horizontal D Light(CFL)-PLC/FDL-G	22	CM7910	Rec Horizontal D Light(CFL)-PLC	34
110	Rec Halogen D Light	50	7616	Rec Horizontal D Light(CFL)-PLC/FDL-G	29	CN608	REC Horizontal D Light(CFL)-PLC	33
190	Rec Halogen D Light	50	7628	Rec Horizontal D Light(CFL)-PLC/FDL-G	28	CN808	REC Horizontal D Light(CFL)-PLC	33
200	Rec Halogen D Light	50	7628E	Rec Horizontal D Light(CFL)-PLC/FDL-G	27	DL30A	Suspended Light	71
701	Rec Halogen D Light	51	7804	Rec Horizontal D Light(CFL)-PLC/FDL-G	25	DL50	Suspended Light	71
800	Rec Halogen D Light	51	7808	Rec Horizontal D Light(CFL)-PLC/FDL-G	24	E100	Rec Vertical D Light(CFL)-PLCE/EFD/EFS	16
901	Rec Halogen D Light	51	7808E	Rec Horizontal D Light(CFL)-PLC/FDL-G	23	E125	Rec Vertical D Light(CFL)-PLCE/EFD/EFS	16
905	Rec Halogen D Light	52	7818	Rec Horizontal D Light(CFL)-PLC/FDL-G	29	E140	Rec Vertical D Light(CFL)-PLCE/EFD/EFS	16
906	Rec Halogen D Light	52	7828	Rec Horizontal D Light(CFL)-PLC/FDL-G	28	E160	Rec Vertical D Light(CFL)-PLCE/EFD/EFS	17
908	Rec Halogen D Light	53	7828E	Rec Horizontal D Light(CFL)-PLC/FDL-G	27	E175	Rec Vertical D Light(CFL)-PLCE/EFD/EFS	17
909	Rec Halogen D Light	53	7900	Rec Horizontal D Light(CFL)-PLC/FDL-G	25	E200	Rec Vertical D Light(CFL)-PLCE/EFD/EFS	17
910	Rec Halogen D Light	53	7902E	Rec Horizontal D Light(CFL)-PLC/FDL-G	23	EHI25	Rec Horizontal D Light(CFL)-PLCE/EFD/EFS	38
912	Rec Halogen D Light	54	7906	Rec Horizontal D Light(CFL)-PLC/FDL-G	25	EHI60	Rec Horizontal D Light(CFL)-PLCE/EFD/EFS	38
913	Rec Halogen D Light	54	7908	Rec Horizontal D Light(CFL)-PLC/FDL-G	35	EHI90	Rec Horizontal D Light(CFL)-PLCE/EFD/EFS	38
3110	Surface D Light	76	7928	Rec Horizontal D Light(CFL)-PLC/FDL-G	28	EHI25/G	Rec Horizontal D Light(CFL)-PLCE/EFD/EFS	39
3111	Surface D Light	76	8114	Rec Square D Light	41	EHI60/G	Rec Horizontal D Light(CFL)-PLCE/EFD/EFS	39
3112	Surface D Light	76	8118	Rec Square D Light	41	EHI90/G	Rec Horizontal D Light(CFL)-PLCE/EFD/EFS	39
3400	Surface D Light	73	8162	Rec Square D Light	41	EV125	Rec Vertical D Light(CFL)-PLCE/EFD/EFS	15
3700	Surface D Light	73	8171	Rec Halogen D Light	55	EV140	Rec Vertical D Light(CFL)-PLCE/EFD/EFS	15
3701	Surface D Light	73	8172	Rec Halogen D Light	55	EV160	Rec Vertical D Light(CFL)-PLCE/EFD/EFS	15
3800	Surface D Light	74	8173	Rec Square D Light	55	H1410SR	Rec Halogen D Light	59
3801	Surface D Light	74	8213	Rec Square D Light	42	H1410SRA	Rec Halogen D Light	59
3804	Surface D Light	75	8213AD	Rec Square D Light	42	K311	Rec Square D Light	44
3805	Surface D Light	75	8213AF	Rec Square D Light	42	SG1212	Ceiling Light	70
3806	Surface D Light	75	8213AP	Rec Square D Light	43	SN2004	Spot Track Light	67
4120	Rec D Light	65	8213AT	Rec Square D Light	43	SN2005	Spot Track Light	67
4130	Rec D Light	65	8214	Rec Square D Light	43	SN2006	Spot Track Light	67
4138	Rec D Light	65	8214C	Rec Square D Light	44	SN2007	Spot Track Light	68
4210	Rec Horizontal D Light(CFL)-PLC/FDL-G	36	8214FM	Rec Square D Light	44	SN2008	Spot Track Light	68
4218	Rec Horizontal D Light(CFL)-PLC/FDL-G	36	8311	Rec Square D Light	44	SN2009	Spot Track Light	68
4226	Rec Horizontal D Light(CFL)-PLC/FDL-G	36	8226	Rec Square D Light	45	SN2009S	Spot Track Light	68
5161	Rec Halogen D Light	54	8227	Rec Square D Light	45	SR500	Ceiling Light	70
5201	Rec Vertical D Light(CFL)-PLC/FDL-G	9	8227FM	Rec Square D Light	45	SR501	Ceiling Light	70
5213	Rec Horizontal D Light(CFL)-PLC/FDL-G	32	8232	Rec Square D Light	46	SR502	Ceiling Light	70
5226	Rec Horizontal D Light(CFL)-PLC/FDL-G	32	8242	Rec Square D Light	47	SWL006	Suspended Light	71
5213P	Rec Horizontal D Light(CFL)-PLC/FDL-G	32	8242F	Rec Square D Light	47	T004	Spot Track Light	69
5226P	Rec Horizontal D Light(CFL)-PLC/FDL-G	32	8242ID	Rec Square D Light	47	T005	Spot Track Light	69
5226D	Rec Horizontal D Light(CFL)-PLC/FDL-G	32	8AR1	Rec Horizontal D Light(CFL)-PLC/FDL-G	63	TRACK11	Spot Track Light	69
5301	Rec Vertical D Light(CFL)-PLC/FDL-G	9	8AR2	Rec Halogen D Light	63	TRACK12	Spot Track Light	69
5401	Rec Vertical D Light(CFL)-PLC/FDL-G	9	8AR3	Rec Halogen D Light	63	TRACK13	Spot Track Light	69
5411	Rec Vertical D Light(CFL)-PLC/FDL-G	11	8AR4	Rec Halogen D Light	64	TRACK31	Spot Track Light	69
5501	Rec Vertical D Light(CFL)-PLC/FDL-G	10	8AR5	Rec Halogen D Light	64	TRACK32	Spot Track Light	69
5601	Rec Vertical D Light(CFL)-PLC/FDL-G	10	8MRI/D	Rec Halogen D Light	60	TRACK33	Spot Track Light	69
5611	Rec Vertical D Light(CFL)-PLC/FDL-G	11	8MR2/D	Rec Halogen D Light	60	Toshiba	Compact Fluorescent Lamps	77
5701	Rec Vertical D Light(CFL)-PLC/FDL-G	10	8MR3/D	Rec Halogen D Light	60	Toshiba	Compact Fluorescent Lamps	78
5711	Rec Vertical D Light(CFL)-PLC/FDL-G	11	8MR1/F	Rec Halogen D Light	61			
6075	Rec Vertical D Light(CFL)-PLCE/EFD/EFS	18	8MR2/F	Rec Halogen D Light	61			
6090	Rec Vertical D Light(CFL)-PLCE/EFD/EFS	19	8MR3/F	Rec Halogen D Light	61			
6095	Rec Vertical D Light(CFL)-PLCE/EFD/EFS	18	8MRI/FF	Rec Halogen D Light	62			
6100A	Rec Vertical D Light(CFL)-PLCE/EFD/EFS	19	8MR2/FF	Rec Halogen D Light	62			
6105	Rec Vertical D Light(CFL)-PLCE/EFD/EFS	18	8MR4/FF	Rec Halogen D Light	62			
6120A	Rec Vertical D Light(CFL)-PLCE/EFD/EFS	19	9271	Rec Halogen D Light	56			
6201	Rec Vertical D Light(CFL)-PLC/FDL-G	7	9272	Rec Halogen D Light	56			
6301	Rec Vertical D Light(CFL)-PLC/FDL-G	7	9273	Rec Halogen D Light	56			
6401	Rec Vertical D Light(CFL)-PLC/FDL-G	7	9281	Rec Halogen D Light	57			
6501	Rec Vertical D Light(CFL)-PLC/FDL-G	8	9282	Rec Halogen D Light	57			
6601	Rec Vertical D Light(CFL)-PLC/FDL-G	8	9283	Rec Halogen D Light	57			
6701	Rec Vertical D Light(CFL)-PLC/FDL-G	8	9V-125	Rec Halogen D Light	12			
7120	Rec Horizontal D Light(CFL)-PLC/FDL-G	35	9V-175	Rec Vertical D Light(CFL)-PLC/FDL-G	12			
7300	Rec Horizontal D Light(CFL)-PLC/FDL-G	21	9V-200	Rec Vertical D Light(CFL)-PLC/FDL-G	46			
7301	Rec Horizontal D Light(CFL)-PLC/FDL-G	26	9V-215	Rec Vertical D Light(CFL)-PLC/FDL-G	46			
7400	Rec Horizontal D Light(CFL)-PLC/FDL-G	21	81150	Rec Square D Light	30			
7401	Rec Horizontal D Light(CFL)-PLC/FDL-G	26	81151	Rec Square D Light	30			
7410	Rec Horizontal D Light(CFL)-PLC/FDL-G	22	175100	Rec Horizontal D Light(CFL)-PLC/FDL-G	30			
7600	Rec Horizontal D Light(CFL)-PLC/FDL-G	21	175130	Rec Horizontal D Light(CFL)-PLC/FDL-G	31			
7601	Rec Horizontal D Light(CFL)-PLC/FDL-G	26	215150	Rec Horizontal D Light(CFL)-PLC/FDL-G	31			
7602	Rec Horizontal D Light(CFL)-PLC/FDL-G	22	230150	Rec Horizontal D Light(CFL)-PLC/FDL-G	13			
7606	Rec Horizontal D Light(CFL)-PLC/FDL-G	24	245190	Rec Horizontal D Light(CFL)-PLC/FDL-G	13			

**RECESSED VERTICAL DOWN LIGHT FOR
COMPACT FLUORESCENT LAMP - PLC/FDL-G**

MODEL



- 7** 6201 . 6301 . 6401
- 8** 6501 . 6601 . 6701
- 9** 5201 . 5301 . 5401
- 10** 5501 . 5601 . 5701
- 11** 5411 . 5611 . 5711
- 12** 9V-125 . 9V-175
- 13** 9V-200 . 9V-215

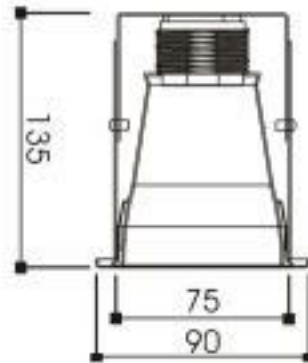


6201 . 6301 . 6401

Class 1 - IP 20

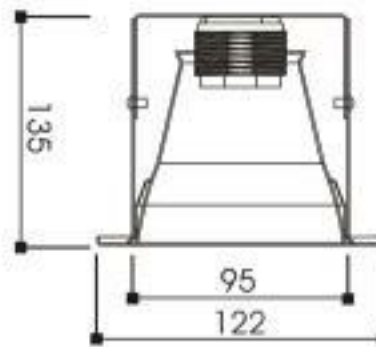
Recessed Vertical Down Light For Compact Fluorescent Lamp - PLC/FDL-G

6201



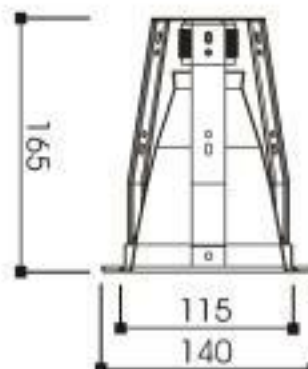
REFLECTOR		RECOMMENDED LAMP			RIM		
FACET DESIGN		LAMP BASE	LAMP TYPE	POWER 240VAC	MILD STEEL	ALUM. DIE CAST	STAINLESS STEEL
PL-A CHAMPAGNE	FS-A	1 x G 24 d	1 x PLC 10 w	0.19 amp.	WHITE	WHITE	*
PL-V	-				*	*	*
-	-				*	*	*
-	-				*	*	*

6301



REFLECTOR		RECOMMENDED LAMP			RIM		
FACET DESIGN		LAMP BASE	LAMP TYPE	POWER 240VAC	MILD STEEL	ALUM. DIE CAST	STAINLESS STEEL
FT-A	PT-V	1 x G 24 d	1 x PLC 13 w	0.19 amp.	WHITE	WHITE	*
-	-				CHROME	*	*
-	-				*	*	*
-	-				*	*	*

6401



REFLECTOR		RECOMMENDED LAMP			RIM		
FACET DESIGN		LAMP BASE	LAMP TYPE	POWER 240VAC	MILD STEEL	ALUM. DIE CAST	STAINLESS STEEL
BT-V	PP-A	1 x G 24 d	1 x PLC 13 w	0.24 amp.	WHITE	WHITE	NATURAL
FF-A	TP-A				CHROME	*	*
FT-A	PL-A				*	*	*
FSP-A	-				*	*	*

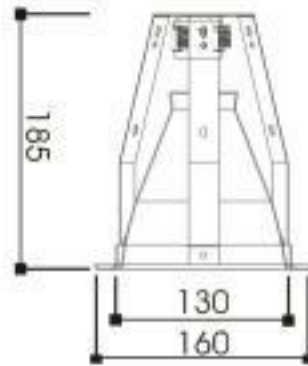
6501 . 6601 . 6701

Class 1 - IP 20

Recessed Vertical Down Light For Compact Fluorescent Lamp - PLC/FDL-G

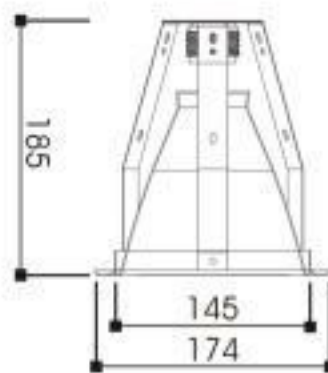


6501



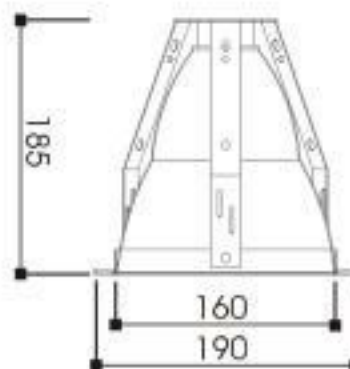
REFLECTOR		RECOMMENDED LAMP			RIM		
FACET DESIGN		LAMP BASE	LAMP TYPE	POWER 240VAC	MILD STEEL	ALUM. DIE CAST	STAINLESS STEEL
FT-A	TP-A	1 x G 24 d	1 x PLC 18 w	0.24 amp.	WHITE	WHITE	*
RT-A	-				CHROME	*	*
-	-						
-	-						

6601



REFLECTOR		RECOMMENDED LAMP			RIM		
FACET DESIGN		LAMP BASE	LAMP TYPE	POWER 240VAC	MILD STEEL	ALUM. DIE CAST	STAINLESS STEEL
BT-V	PP-A	1 x G 24 d	1 x PLC 26 w	0.31 amp.	WHITE	WHITE	NATURAL
FF-A	TP-A				CHROME	TWO TONED	*
FT-A	PL-A-GOLD						
FSP-A	PL-A						

6701



REFLECTOR		RECOMMENDED LAMP			RIM		
FACET DESIGN		LAMP BASE	LAMP TYPE	POWER 240VAC	MILD STEEL	ALUM. DIE CAST	STAINLESS STEEL
FF-A	PP-A	1 x G 24 d	1 x PLC 26 w	0.31 amp.	WHITE	WHITE	*
-	-				CHROME	*	*
-	-						
-	-						

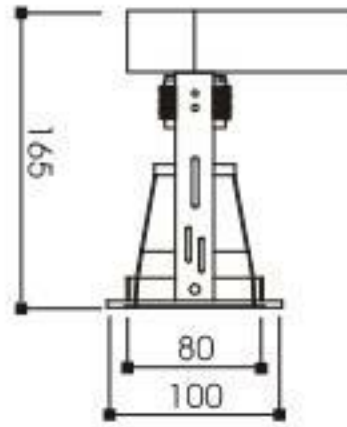


5201 . 5301 . 5401

Class 1 - IP 20

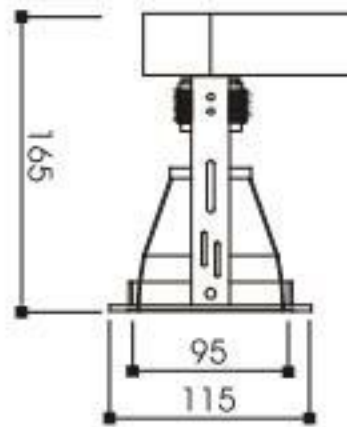
Recessed Vertical Down Light For Compact Fluorescent Lamp - PLC/FDL-G

5201



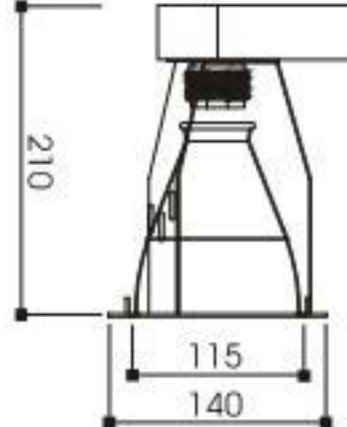
REFLECTOR		RECOMMENDED LAMP			RIM		
FACET DESIGN		LAMP BASE	LAMP TYPE	POWER 240VAC	MILD STEEL	ALUM. DIE CAST	STAINLESS STEEL
PL-A CHAMPAGNE GOLD		1 x G 24 d	1 x PLC 10 w	0.19 amp.	WHITE	WHITE	.
PL-V	FS-A				.	.	.
.

5301



REFLECTOR		RECOMMENDED LAMP			RIM		
FACET DESIGN		LAMP BASE	LAMP TYPE	POWER 240VAC	MILD STEEL	ALUM. DIE CAST	STAINLESS STEEL
FT-A	PT-A	1 x G 24 d	1 x PLC 13 w	0.19 amp.	WHITE	WHITE	.
.	.				CHROME	.	.
.

5401



REFLECTOR		RECOMMENDED LAMP			RIM		
FACET DESIGN		LAMP BASE	LAMP TYPE	POWER 240VAC	MILD STEEL	ALUM. DIE CAST	STAINLESS STEEL
BT-V	PP-A	1 x G 24 d	1 x PLC 18 w	0.24 amp.	WHITE	WHITE	NATURAL
FF-A	TP-A				CHROME	TWO TONED	.
FT-A	PL-A-SILVER				.	.	.
FSP-A

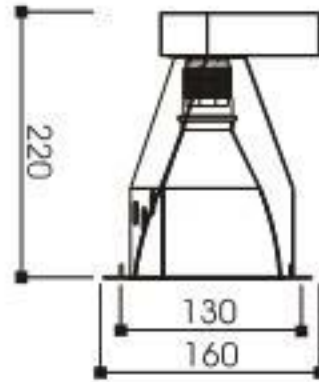
5501 . 5601 . 5701

Class 1 - IP 20

Recessed Vertical Down Light For Compact Fluorescent Lamp - PLC/FDL-G

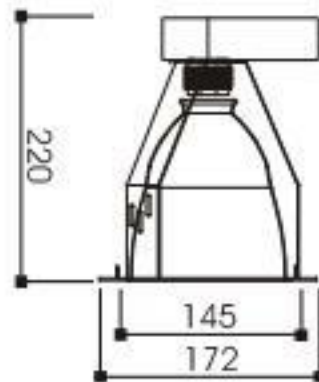


5501



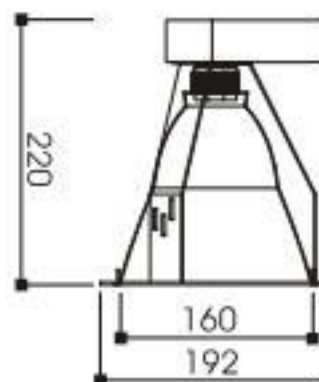
REFLECTOR		RECOMMENDED LAMP			RIM		
FACET DESIGN		LAMP BASE	LAMP TYPE	POWER 240VAC	MILD STEEL	ALUM. DIE CAST	STAINLESS STEEL
FT-A	TP-A	1 x G 24 d	1 x PLC 26 w	0.31 amp.	WHITE	WHITE	NATURAL
RT-A	.				CHROME	.	.
.	.						
.	.						

5601



REFLECTOR		RECOMMENDED LAMP			RIM		
FACET DESIGN		LAMP BASE	LAMP TYPE	POWER 240VAC	MILD STEEL	ALUM. DIE CAST	STAINLESS STEEL
BT-V	PP-A	1 x G 24 d	1 x PLC 26 w	0.31 amp.	WHITE	WHITE	NATURAL
FF-A	TP-A				CHROME	TWO TONED	.
FT-A	PL-A-GOLD						
FSP-A	PL-A						

5701



REFLECTOR		RECOMMENDED LAMP			RIM		
FACET DESIGN		LAMP BASE	LAMP TYPE	POWER 240VAC	MILD STEEL	ALUM. DIE CAST	STAINLESS STEEL
FF-A	PP-A	1 x G 24 d	1 x PLC 26 w	0.31 amp.	WHITE	WHITE	NATURAL
.	.				CHROME	.	.
.	.						
.	.						

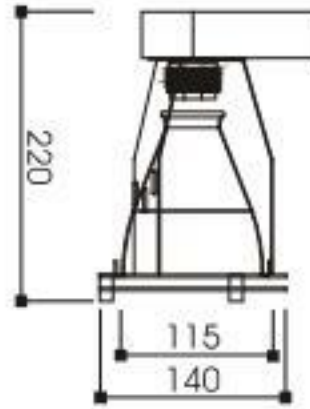


5411 . 5611 . 5711

Class 1 - IP 20

Recessed Vertical Down Light For Compact Fluorescent Lamp - PLC/FDL-G

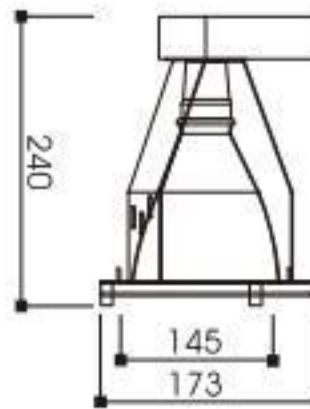
5411



REFLECTOR		RECOMMENDED LAMP			RIM		
FACET DESIGN		LAMP BASE	LAMP TYPE	POWER 240VAC	MILD STEEL	ALUM. DIE CAST	STAINLESS STEEL
BT-V	PP-A	1 x G 24 d	1 x PLC 18 w	0.24 amp.	.	WHITE	.
FF-A	TP-A				.	.	.
FT-A	PL-A-SILVER				.	.	.
FSP-A

FLOATING GLASS DIFFUSER - FROSTED

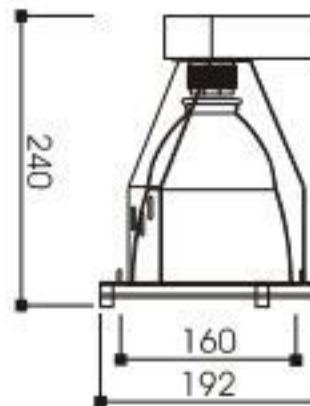
5611



REFLECTOR		RECOMMENDED LAMP			RIM		
FACET DESIGN		LAMP BASE	LAMP TYPE	POWER 240VAC	MILD STEEL	ALUM. DIE CAST	STAINLESS STEEL
BT-V	PP-A	1 x G 24 d	1 x PLC 26 w	0.31 amp.	.	WHITE	.
FF-A	TP-A				.	.	.
FT-A	FSP-A				.	.	.
.

FLOATING GLASS DIFFUSER - FROSTED

5711



REFLECTOR		RECOMMENDED LAMP			RIM		
FACET DESIGN		LAMP BASE	LAMP TYPE	POWER 240VAC	MILD STEEL	ALUM. DIE CAST	STAINLESS STEEL
FF-A	PP-A	1 x G 24 d	1 x PLC 26 w	0.31 amp.	.	WHITE	.
.
.
.

FLOATING GLASS DIFFUSER - FROSTED

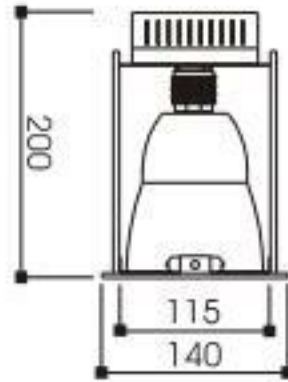
9V-125 . 9V-175

Class 1 - IP 20

Recessed Vertical Down Light For Compact Fluorescent Lamp - PLC/FDL-G

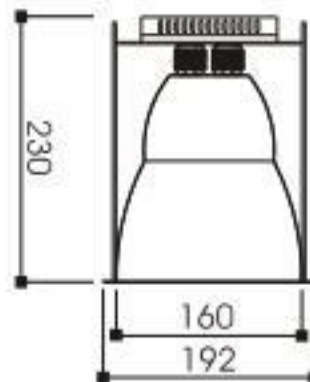


9V-125



REFLECTOR		RECOMMENDED LAMP			RIM		
FACET DESIGN		LAMP BASE	LAMP TYPE	POWER 240VAC	MILD STEEL	ALUM. DIE CAST	STAINLESS STEEL
BT-V	PP-A	1 x G 24 d	1 x PLC 18 w	0.24 amp.	•	WHITE	•
FF-A	TP-A				•	•	
FT-A	PL-A-GOLD				•	•	
FSP-A	PL-A-SILVER				•	•	

9V-175



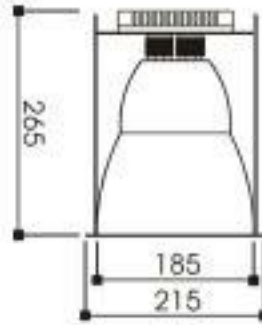
REFLECTOR		RECOMMENDED LAMP			RIM		
FACET DESIGN		LAMP BASE	LAMP TYPE	POWER 240VAC	MILD STEEL	ALUM. DIE CAST	STAINLESS STEEL
MODEL : 9V-175-118		1 x G 24 d	1 x PLC 18 w	0.24 amp.	•	WHITE	•
FF-A-1H	PP-A-1H				•	•	
MODEL : 9V-175-218		2 x G 24 d	2 x PLC 18 w	0.48 amp.	•	WHITE	•
FF-A-2H	PP-A-2H				•	•	



9V-200
9V-215
 Class 1 - IP 20

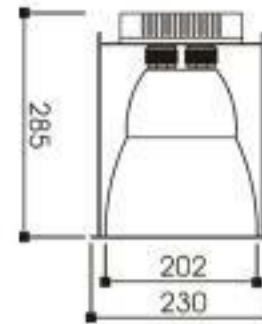
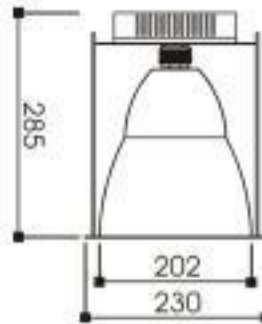
Recessed Vertical Down Light For Compact Fluorescent Lamp - PLC/FDL-G

9V-200



REFLECTOR FACET DESIGN	RECOMMENDED LAMP			RIN		
	LAMP BASE	LAMP TYPE	POWER 240VAC	MILD STEEL	ALUM. DIE CAST	STAINLESS STEEL
MODEL : 9V-200-126						
FF-A-1H	1 x G 24 d	1 x PLC 26 w	0.31 amp.	•	WHITE	•
PP-A-1H						
FP-A-1H						
MODEL : 9V-200-226						
FF-A-2H	2 x G 24 d	2 x PLC 26 w	0.62 amp.	•	WHITE	•
PP-A-2H						
FP-A-2H						

9V-215



REFLECTOR FACET DESIGN	RECOMMENDED LAMP			RIN		
	LAMP BASE	LAMP TYPE	POWER 240VAC	MILD STEEL	ALUM. DIE CAST	STAINLESS STEEL
MODEL : 9V-215-126						
FF-A-1H	1 x G 24 d	1 x PLC 26 w	0.31 amp.	•	WHITE	•
PP-A-1H						
MODEL : 9V-215-226						
FF-A-2H	2 x G 24 d	2 x PLC 26 w	0.62 amp.	•	WHITE	•
PP-A-2H						

**RECESSED VERTICAL DOWN LIGHT FOR
COMPACT FLUORESCENT LAMP - PLCE/EPD/EFS**

MODEL



- 15** EV125 . EV140 . EV160
- 16** E100 . E125 . E140
- 17** E160 . E175 . E200
- 18** 6075 . 6095 . 6105
- 19** 6090 . 6100A . 6120A

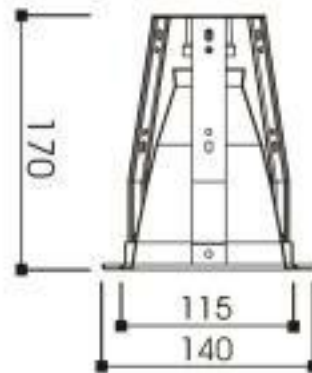


EV125 . EV140 . EV160

Class 1 - IP 20

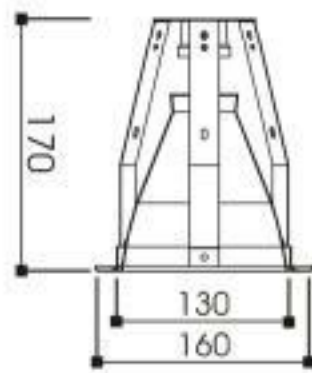
Recessed Vertical Down Light For Compact Fluorescent Lamp - PLCE/EFD/EFS

EV125



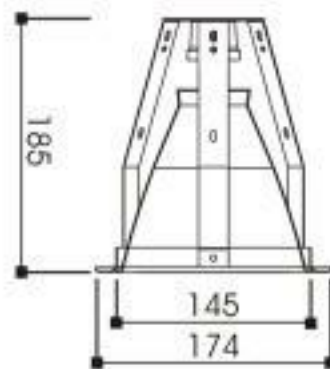
REFLECTOR		RECOMMENDED LAMP			RIM		
FACET DESIGN		LAMP BASE	LAMP TYPE	POWER 240VAC	MILD STEEL	ALUM. DIE CAST	STAINLESS STEEL
FW-A	PP-A	1 x E 27	1 x PLCE 18 w	0.14 amp.	WHITE	WHITE	NATURAL
FF-A	.				CHROME	.	.
.
.

EV140



REFLECTOR		RECOMMENDED LAMP			RIM		
FACET DESIGN		LAMP BASE	LAMP TYPE	POWER 240VAC	MILD STEEL	ALUM. DIE CAST	STAINLESS STEEL
FW-A	PP-A	1 x E 27	1 x PLCE 18 w 1 x PLCE 25 w	0.14 amp. 0.18 amp.	WHITE	.	.
FF-A
.
.

EV160



REFLECTOR		RECOMMENDED LAMP			RIM		
FACET DESIGN		LAMP BASE	LAMP TYPE	POWER 240VAC	MILD STEEL	ALUM. DIE CAST	STAINLESS STEEL
FW-A	PP-A	1 x E 27	1 x PLCE 18 w 1 x PLCE 25 w	0.14 amp. 0.18 amp.	WHITE	WHITE	NATURAL
FF-A	.				CHROME	.	.
.
.

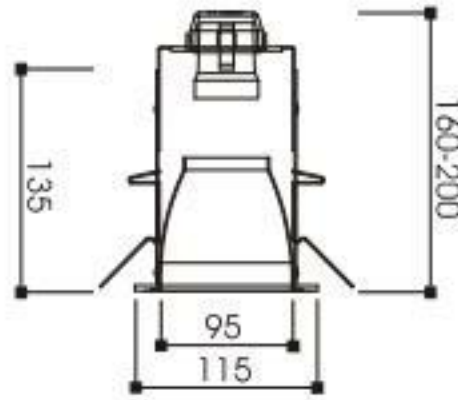
E100 . E125 . E140

Class 1 - IP 20

Recessed Vertical Down Light For Compact Fluorescent Lamp - PLCE/EFD/EFS

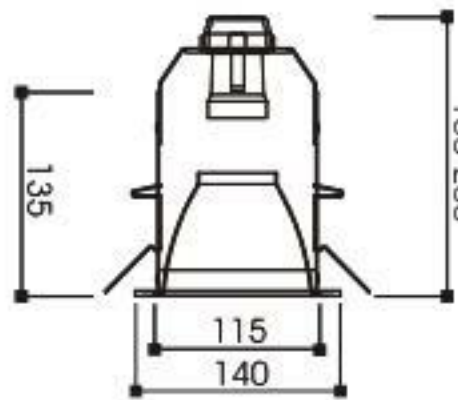


E100



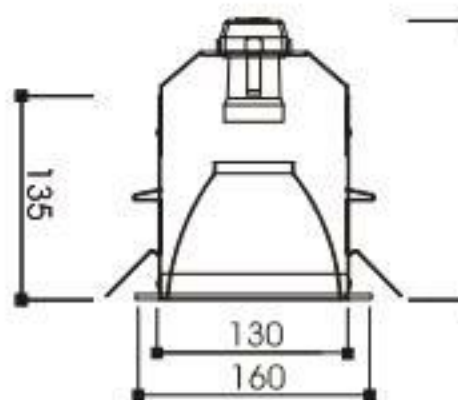
REFLECTOR		RECOMMENDED LAMP			RIM		
FACET DESIGN		LAMP BASE	LAMP TYPE	POWER 240VAC	MILD STEEL	ALUM. DIE CAST	STAINLESS STEEL
WW-A	PP-A	1 x E 27	1 x PLCE 13 w 1 x PLCE 15 w	0.08 amp. 0.12 amp.	WHITE	WHITE	.
FF-A	PT-V				.	.	.
.
.

E125



REFLECTOR		RECOMMENDED LAMP			RIM		
FACET DESIGN		LAMP BASE	LAMP TYPE	POWER 240VAC	MILD STEEL	ALUM. DIE CAST	STAINLESS STEEL
WW-A	PP-A	1 x E 27	1 x PLCE 18 w 1 x PLCE 25 w	0.14 amp. 0.18 amp.	WHITE	WHITE	.
FF-A
.
.

E140



REFLECTOR		RECOMMENDED LAMP			RIM		
FACET DESIGN		LAMP BASE	LAMP TYPE	POWER 240VAC	MILD STEEL	ALUM. DIE CAST	STAINLESS STEEL
WW-A	PP-A	1 x E 27	1 x PLCE 18 w 1 x PLCE 25 w	0.14 amp. 0.18 amp.	WHITE	WHITE	.
FF-A
.
.

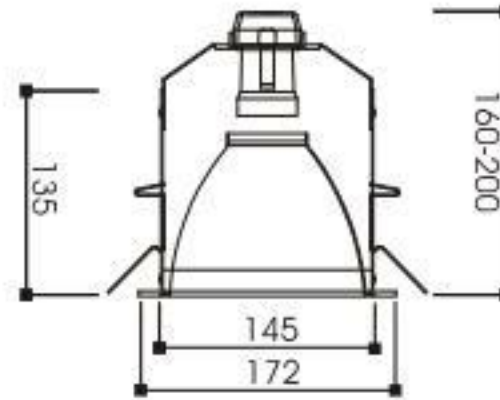


E160 . E175 . E200

Class 1 - IP 20

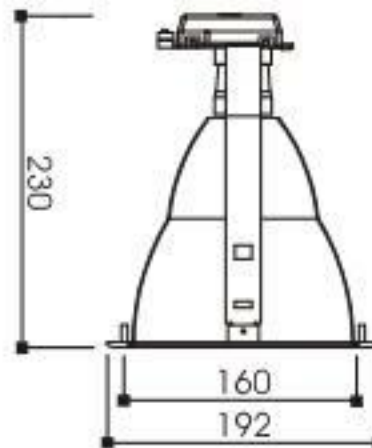
Recessed Vertical Down Light For Compact Fluorescent Lamp - PLCE/EFD/EFS

E160



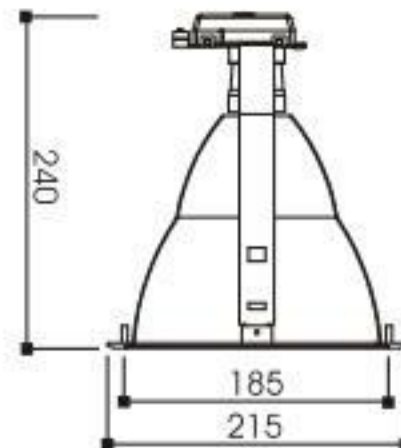
REFLECTOR		RECOMMENDED LAMP			RIM		
FACET DESIGN		LAMP BASE	LAMP TYPE	POWER 240VAC	MILD STEEL	ALUM. DIE CAST	STAINLESS STEEL
BT-V	PP-A	1 x E 27	1 x PLCE 18 w 1 x PLCE 25 w	0.14 amp. 0.18 amp.	WHITE	WHITE	.
FF-A	TP-A				.	.	.
FT-A	PL-A				.	.	.
FSP-A

E175



REFLECTOR		RECOMMENDED LAMP			RIM		
FACET DESIGN		LAMP BASE	LAMP TYPE	POWER 240VAC	MILD STEEL	ALUM. DIE CAST	STAINLESS STEEL
FF-A	PP-A	1 x E 27	1 x PLCE 30 w	0.21 amp.	WHITE	WHITE	.
.
.
.

E200



REFLECTOR		RECOMMENDED LAMP			RIM		
FACET DESIGN		LAMP BASE	LAMP TYPE	POWER 240VAC	MILD STEEL	ALUM. DIE CAST	STAINLESS STEEL
FF-A	PP-A	1 x E 27	1 x PLCE 30 w	0.21 amp.	WHITE	WHITE	.
.
.
.

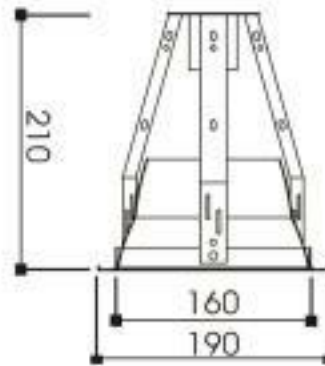
6075 . 6095 . 6105

Class 1 - IP 20

Recessed Vertical Down Light For General Purpose Lamp - GPL



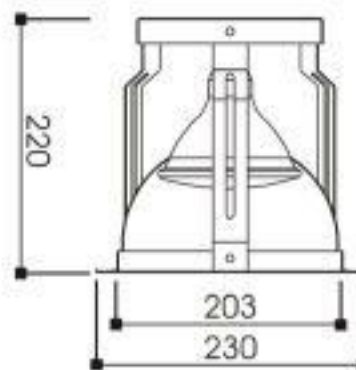
6075



Ø 170 MM

REFLECTOR		RECOMMENDED LAMP			RIM		
FACET DESIGN		LAMP BASE	LAMP TYPE	POWER 240VAC	MILD STEEL	ALUM. DIE CAST	STAINLESS STEEL
FF-A	PP-A	1 x E 27	1 x GPL · PAR 38 · 80 w	0.36 amp.	WHITE	WHITE	*
*	*				*	*	*
*	*				*	*	*
*	*				*	*	*

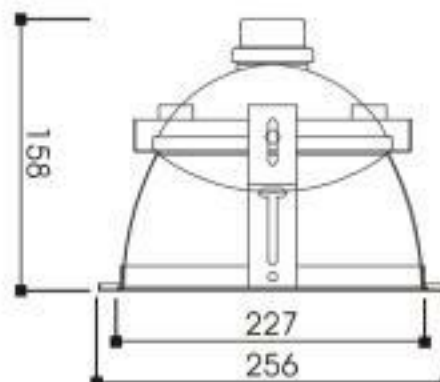
6095



Ø 215 MM

REFLECTOR		RECOMMENDED LAMP			RIM		
FACET DESIGN		LAMP BASE	LAMP TYPE	POWER 240VAC	MILD STEEL	ALUM. DIE CAST	STAINLESS STEEL
FF-A	PP-A	1 x E 27	1 x GPL · PAR 38 · 80 w	0.36 amp.	WHITE	WHITE	*
*	*				*	*	*
*	*				*	*	*
*	*				*	*	*

6105



Ø 230 MM

REFLECTOR		RECOMMENDED LAMP			RIM		
FACET DESIGN		LAMP BASE	LAMP TYPE	POWER 240VAC	MILD STEEL	ALUM. DIE CAST	STAINLESS STEEL
FF-A	PP-A	1 x G X 16 d	1 x GPL · PAR 56 · 300 w	1.44 amp.	WHITE	*	*
*	*				*	*	*
*	*				*	*	*
*	*				*	*	*

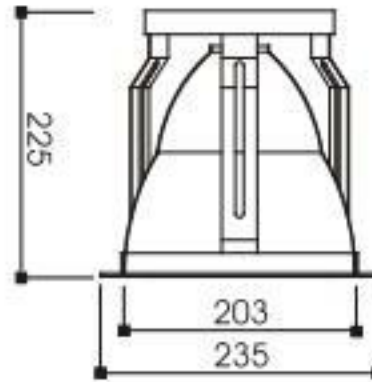


6090 . 6100A . 6120A

Class 1 - IP 20

Recessed Vertical Down Light For Compact Fluorescent Lamp And HID Lamp

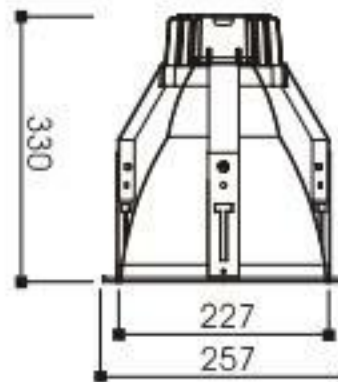
6090



● 215 MM

REFLECTOR		RECOMMENDED LAMP			RIM		
FACET DESIGN		LAMP BASE	LAMP TYPE	POWER 240VAC	MILD STEEL	ALUM. DIE CAST	STAINLESS STEEL
FF-A	PP-A	1 x E 27	1 x SON 70 w	0.98 amp.	WHITE	WHITE	•
•	•				•	•	•
•	•				•	•	•
•	•				•	•	•

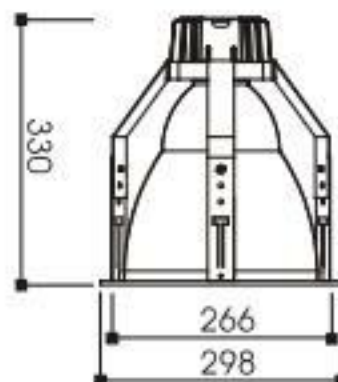
6100A



● 230 MM

REFLECTOR		RECOMMENDED LAMP			RIM		
FACET DESIGN		LAMP BASE	LAMP TYPE	POWER 240VAC	MILD STEEL	ALUM. DIE CAST	STAINLESS STEEL
FF-A	PP-A	1 x E 27 1 x E 40	1 x PLCE 23 w 1 x HID / HPL 250 w	0.98 amp. 2.13 amp.	WHITE	•	•
•	•				•	•	•
•	•				•	•	•
•	•				•	•	•

6120A



● 265 MM

REFLECTOR		RECOMMENDED LAMP			RIM		
FACET DESIGN		LAMP BASE	LAMP TYPE	POWER 240VAC	MILD STEEL	ALUM. DIE CAST	STAINLESS STEEL
FF-A	PP-A	1 x E 40	1 x HID / HPL 400 w	3.25 amp.	WHITE	•	•
•	•				•	•	•
•	•				•	•	•
•	•				•	•	•

**RECESSED HORIZONTAL DOWN LIGHT FOR
COMPACT FLUORESCENT LAMP - PLC/FDL-G**

MODEL



- 21** 7300 . 7400 . 7600
- 22** 7602 . 7410 . 7610
- 23** 7606E . 7808E . 7902E
- 24** 7606 . 7606RC . 7808
- 25** 7804 . 7900 . 7906
- 26** 7301 . 7401 . 7601
- 27** 7628E . 7828E . 7928E
- 28** 7628 . 7828 . 7928
- 29** 7616 . 7818
- 30** 175100 . 175130 . 215150
- 31** 230150 . 245190
- 32** 5213 . 5213P . 5226 . 5226P . 5226D
- 33** CN608 . CN808
- 34** CM7900 . CM7910
- 35** 7908 . 7120
- 36** 4210 . 4218 . 4226

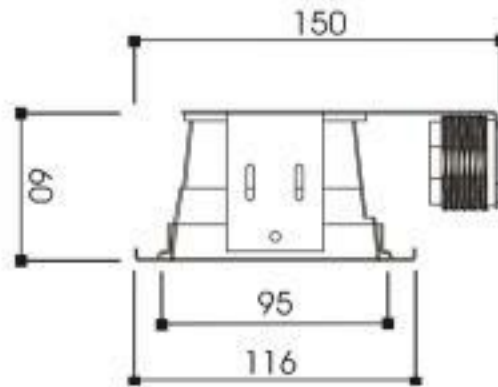


7300 . 7400 . 7600

Class 1 - IP 20

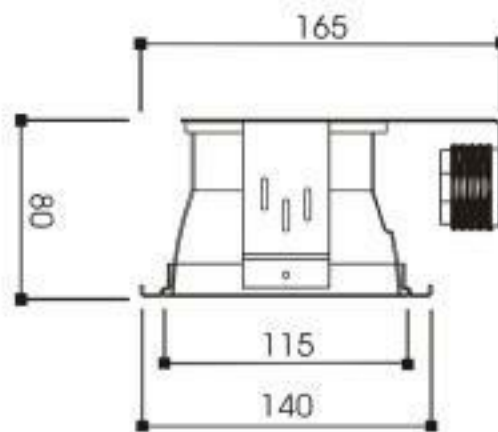
Recessed Horizontal Down Light For Compact Fluorescent Lamp - PLC/FDL-G

7300



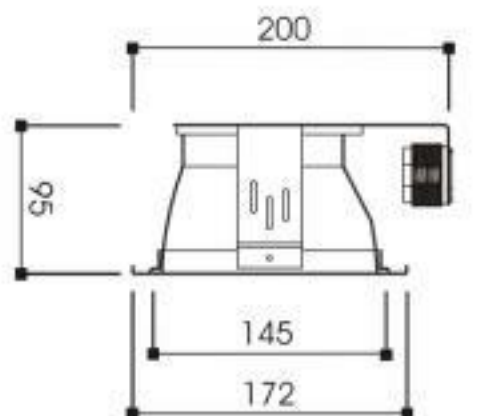
REFLECTOR		RECOMMENDED LAMP			RIN		
FACET DESIGN		LAMP BASE	LAMP TYPE	POWER 240VAC	MILD STEEL	ALUM. DIE CAST	STAINLESS STEEL
PR-A	-	1 x G 24 d	1 x PLC 10 w	0.14 amp.	WHITE	WHITE	-
-	-				CHROME	-	-
-	-				-	-	-
-	-				-	-	-

7400



REFLECTOR		RECOMMENDED LAMP			RIN		
FACET DESIGN		LAMP BASE	LAMP TYPE	POWER 240VAC	MILD STEEL	ALUM. DIE CAST	STAINLESS STEEL
TP-A	-	1 x G 24 d	1 x PLC 18 w	0.24 amp.	WHITE	WHITE	NATURAL
-	-				CHROME	-	-
-	-				-	-	-
-	-				-	-	-

7600



REFLECTOR		RECOMMENDED LAMP			RIN		
FACET DESIGN		LAMP BASE	LAMP TYPE	POWER 240VAC	MILD STEEL	ALUM. DIE CAST	STAINLESS STEEL
TP-A	-	1 x G 24 d 2 x G 24 d	1 x PLC 18 w 2 x PLC 18 w	0.24 amp. 0.48 amp.	WHITE	WHITE	NATURAL
-	-				CHROME	-	-
-	-				-	-	-
-	-				-	-	-

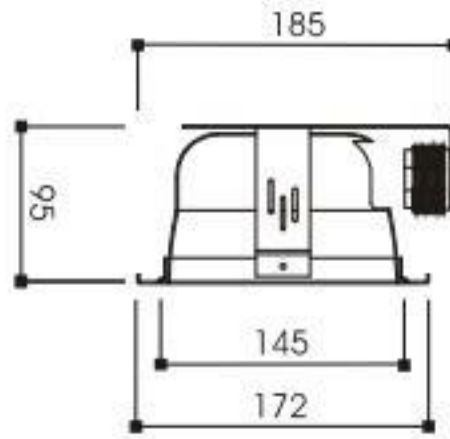
7602 . 7410 . 7610

Class 1 - IP 20

Recessed Horizontal Down Light For Compact Fluorescent Lamp - PLC/FDL-G

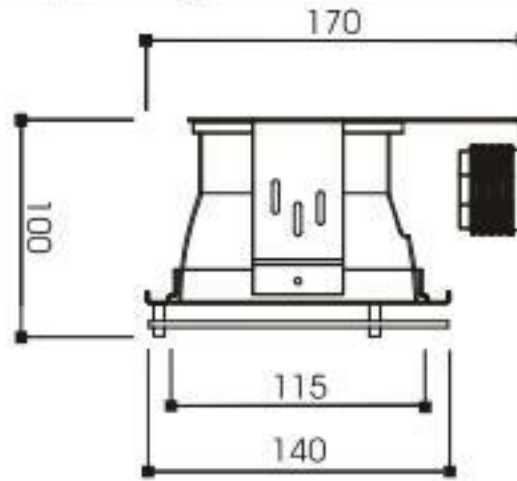


7602



REFLECTOR		RECOMMENDED LAMP			RIM		
FACET DESIGN		LAMP BASE	LAMP TYPE	POWER 240VAC	MILD STEEL	ALUM. DIE CAST	STAINLESS STEEL
RP-A	PP-A	2 x G 24 d	2 x PLC 18 w	0.48 amp.	WHITE	WHITE	.
FF-A
.
.

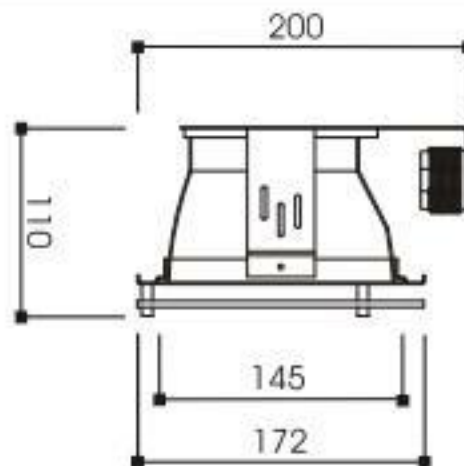
7410



REFLECTOR		RECOMMENDED LAMP			RIM		
FACET DESIGN		LAMP BASE	LAMP TYPE	POWER 240VAC	MILD STEEL	ALUM. DIE CAST	STAINLESS STEEL
TP-A	.	1 x G 24 d	1 x PLC 18 w	0.24 amp.	.	WHITE	.
.
.
.

FLOATING GLASS DIFFUSER - FROSTED

7610



REFLECTOR		RECOMMENDED LAMP			RIM		
FACET DESIGN		LAMP BASE	LAMP TYPE	POWER 240VAC	MILD STEEL	ALUM. DIE CAST	STAINLESS STEEL
TP-A	.	2 x G 24 d	2 x PLC 18 w	0.48 amp.	.	WHITE	.
.
.
.

FLOATING GLASS DIFFUSER - FROSTED

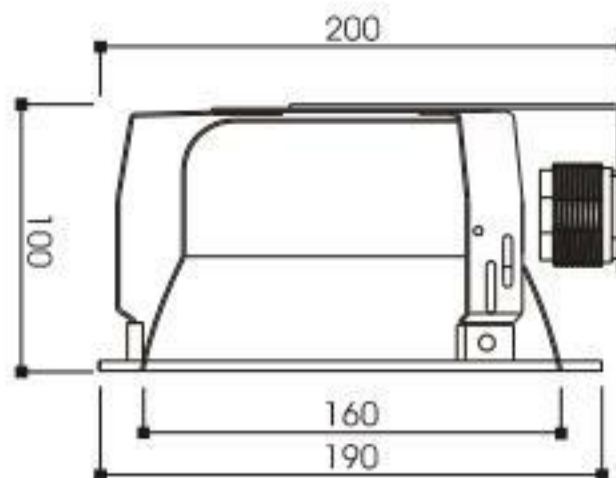


7606E . 7808E . 7902E

Class 1 - IP 20

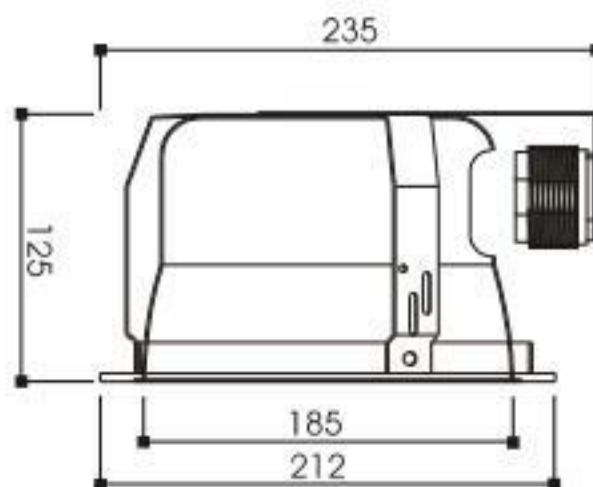
Recessed Horizontal Down Light For Compact Fluorescent Lamp - PLC/FDL-G

7606E



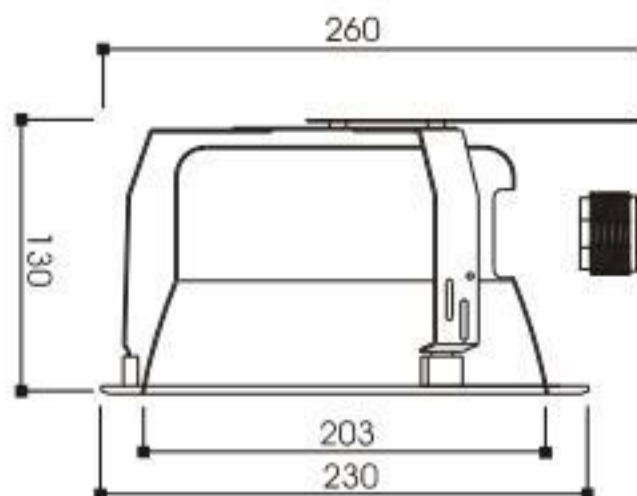
REFLECTOR		RECOMMENDED LAMP			RIM		
FACET DESIGN		LAMP BASE	LAMP TYPE	POWER 240VAC	MILD STEEL	ALUM. DIE CAST	STAINLESS STEEL
FF-A	PP-A	2 x G 24 d	2 x PLC 18 w	0.48 amp.	WHITE	WHITE	·
RH-V	TH-V				·	·	·
FS-A	·				·	·	·

7808E



REFLECTOR		RECOMMENDED LAMP			RIM		
FACET DESIGN		LAMP BASE	LAMP TYPE	POWER 240VAC	MILD STEEL	ALUM. DIE CAST	STAINLESS STEEL
PP-A	PS-A	2 x G 24 d	2 x PLC 26 w	0.62 amp.	WHITE	WHITE	·
FS-A	RS-A				·	·	·
·	·				·	·	·

7902E



REFLECTOR		RECOMMENDED LAMP			RIM		
FACET DESIGN		LAMP BASE	LAMP TYPE	POWER 240VAC	MILD STEEL	ALUM. DIE CAST	STAINLESS STEEL
FF-A	PP-A	2 x G 24 d	2 x PLC 26 w	0.62 amp.	WHITE	WHITE	·
RP-A	·				·	·	·
·	·				·	·	·

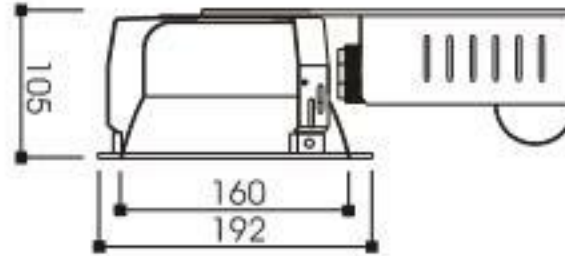
7606 . 7606RC . 7808

Class 1 - IP 20

Recessed Horizontal Down Light For Compact Fluorescent Lamp - PLC/FDL-G

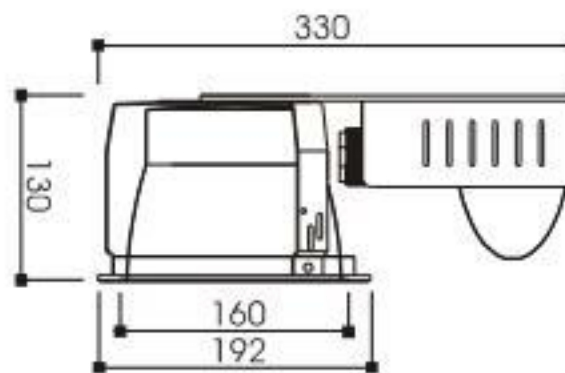


7606



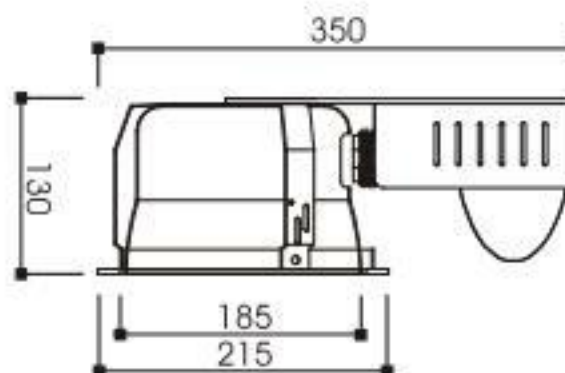
REFLECTOR		RECOMMENDED LAMP			RIM		
FACET DESIGN		LAMP BASE	LAMP TYPE	POWER 240VAC	MILD STEEL	ALUM. DIE CAST	STAINLESS STEEL
FF-A	PP-A	2 x G 24 d	2 x PLC 18 w	0.48 amp.	WHITE	WHITE	·
FS-A	·				·	·	·
RH-V	·				·	·	·
·	·				·	·	·

7606RC



REFLECTOR		RECOMMENDED LAMP			RIM		
FACET DESIGN		LAMP BASE	LAMP TYPE	POWER 240VAC	MILD STEEL	ALUM. DIE CAST	STAINLESS STEEL
RFH-V	·	2 x G 24 d	2 x PLC 18 w	0.48 amp.	WHITE	WHITE	·
·	·				·	·	·
·	·				·	·	·
·	·				·	·	·

7808



REFLECTOR		RECOMMENDED LAMP			RIM		
FACET DESIGN		LAMP BASE	LAMP TYPE	POWER 240VAC	MILD STEEL	ALUM. DIE CAST	STAINLESS STEEL
FS-A	PS-A	2 x G 24 d	2 x PLC 26 w	0.62 amp.	WHITE	WHITE	·
PP-A	·				·	·	·
·	·				·	·	·
·	·				·	·	·

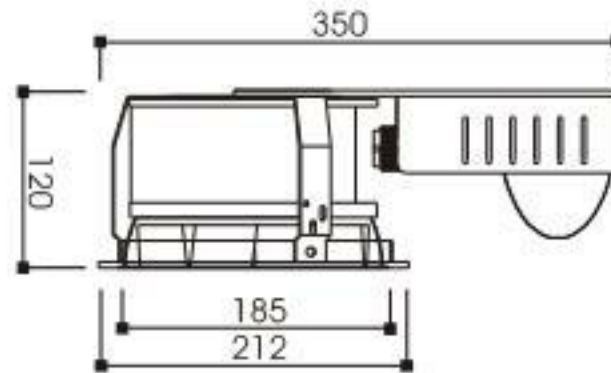


7804 . 7900 . 7906

Class 1 - IP 20

Recessed Horizontal Down Light For Compact Fluorescent Lamp - PLC/FDL-G

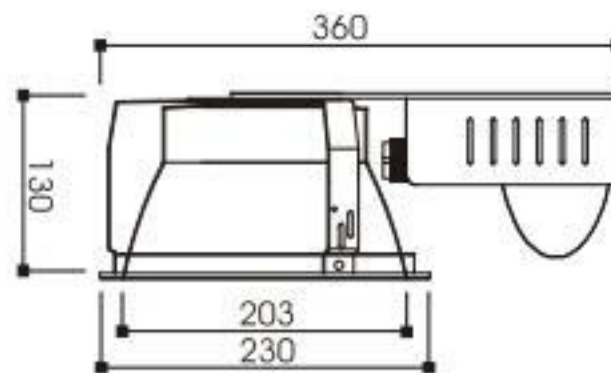
7804



REFLECTOR		RECOMMENDED LAMP			RIM		
FACET DESIGN		LAMP BASE	LAMP TYPE	POWER 240VAC	MILD STEEL	ALUM. DIE CAST	STAINLESS STEEL
Q-45-P4	Q-45-R4	2 x G 24 d	2 x PLC 26 w	0.62 amp.	WHITE	WHITE	.
.
.
.

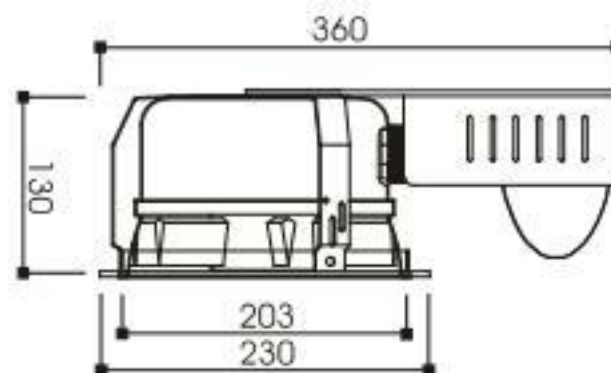
MIRROR LOUVER

7900



REFLECTOR		RECOMMENDED LAMP			RIM		
FACET DESIGN		LAMP BASE	LAMP TYPE	POWER 240VAC	MILD STEEL	ALUM. DIE CAST	STAINLESS STEEL
RP-A	PP-A	2 x G 24 d	2 x PLC 26 w	0.62 amp.	WHITE	WHITE	.
PP-V	EP-A				.	.	.
.
.

7906



REFLECTOR		RECOMMENDED LAMP			RIM		
FACET DESIGN		LAMP BASE	LAMP TYPE	POWER 240VAC	MILD STEEL	ALUM. DIE CAST	STAINLESS STEEL
Q-60-P6	Q-60-R6	2 x G 24 d	2 x PLC 26 w	0.62 amp.	WHITE	WHITE	.
.
.
.

MIRROR LOUVER

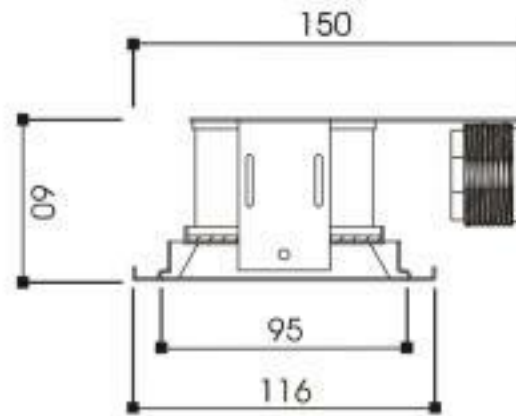
7301 . 7401 . 7601

Class 1 - IP 20

Recessed Horizontal Down Light For Compact Fluorescent Lamp - PLC/FDL-G

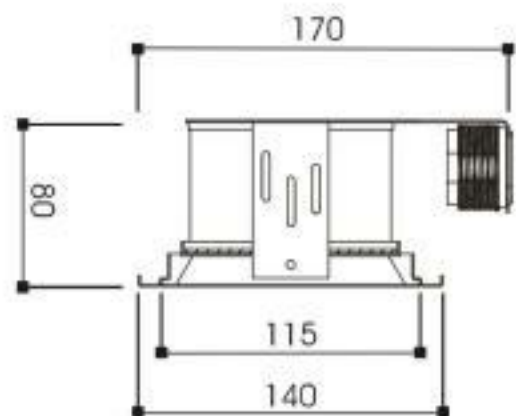


7301



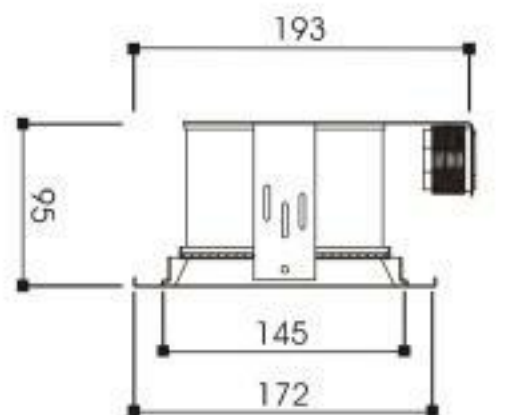
REFLECTOR		RECOMMENDED LAMP			RIN		
FACET DESIGN		LAMP BASE	LAMP TYPE	POWER 240VAC	MILD STEEL	ALUM. DIE CAST	STAINLESS STEEL
Q-20P	Q-20F	1 x G 24 d	1 x PLC 10 w	0.19 amp.	WHITE	WHITE	*
*	*				*	*	*
*	*				*	*	*
*	*				*	*	*
FROSTED GLASS DIFFUSER							

7401



REFLECTOR		RECOMMENDED LAMP			RIN		
FACET DESIGN		LAMP BASE	LAMP TYPE	POWER 240VAC	MILD STEEL	ALUM. DIE CAST	STAINLESS STEEL
Q-22P	*	1 x G 24 d 2 x G 24 d	1 x PLC 18 w 2 x PLC 18 w	0.24 amp. 0.48 amp.	WHITE	WHITE	*
*	*				*	*	*
*	*				*	*	*
*	*				*	*	*
FROSTED GLASS DIFFUSER							

7601



REFLECTOR		RECOMMENDED LAMP			RIN		
FACET DESIGN		LAMP BASE	LAMP TYPE	POWER 240VAC	MILD STEEL	ALUM. DIE CAST	STAINLESS STEEL
Q-30P	*	1 x G 24 d 2 x G 24 d	1 x PLC 18 w 2 x PLC 18 w	0.24 amp. 0.48 amp.	WHITE	WHITE	*
*	*				*	*	*
*	*				*	*	*
*	*				*	*	*
FROSTED GLASS DIFFUSER							

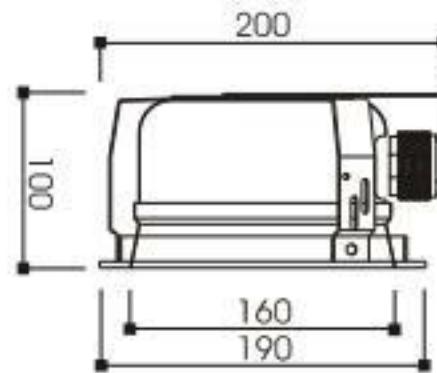


7628E . 7828E . 7928E

Class 1 - IP 20

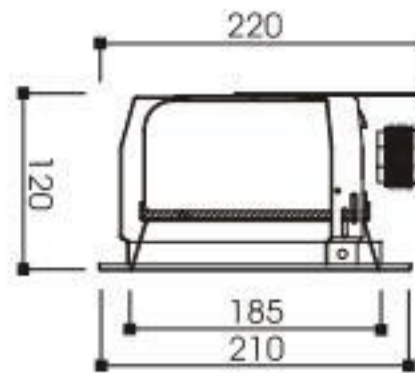
Recessed Horizontal Down Light For Compact Fluorescent Lamp - PLC/FDL-G

7628E



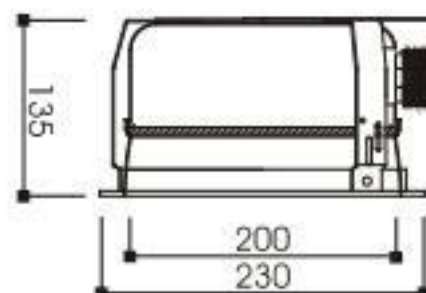
REFLECTOR		RECOMMENDED LAMP			RIM		
FACET DESIGN		LAMP BASE	LAMP TYPE	POWER 240VAC	MILD STEEL	ALUM. DIE CAST	STAINLESS STEEL
Q-35-P	Q-35-R	2 x G-24 d	2 x PLC 18 w	0.48 amp.	WHITE	WHITE	NATURAL
.	.				CHROME	.	.
.	.						
.	.						
FROSTED GLASS DIFFUSER							

7828E



REFLECTOR		RECOMMENDED LAMP			RIM		
FACET DESIGN		LAMP BASE	LAMP TYPE	POWER 240VAC	MILD STEEL	ALUM. DIE CAST	STAINLESS STEEL
Q-58-P	Q-58-R	2 x G-24 d	2 x PLC 26 w	0.62 amp.	WHITE	WHITE	.
.
.	.						
.	.						
FROSTED GLASS DIFFUSER							

7928E



REFLECTOR		RECOMMENDED LAMP			RIM		
FACET DESIGN		LAMP BASE	LAMP TYPE	POWER 240VAC	MILD STEEL	ALUM. DIE CAST	STAINLESS STEEL
Q-55-P	Q-55-R	2 x G-24 d	2 x PLC 26 w	0.62 amp.	WHITE	WHITE	.
.
.	.						
.	.						
FROSTED GLASS DIFFUSER							

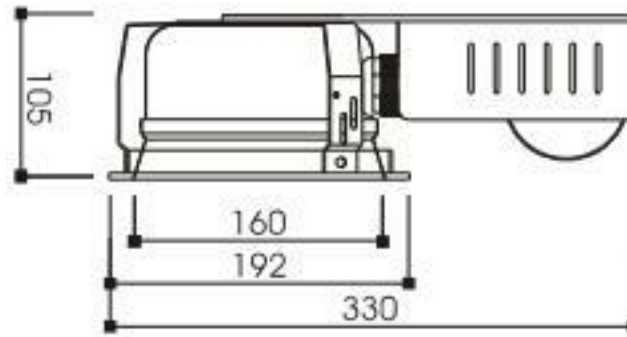
7628 . 7828 . 7928

Class 1 - IP 20

Recessed Horizontal Down Light For Compact Fluorescent Lamp - PLC/FDL-G



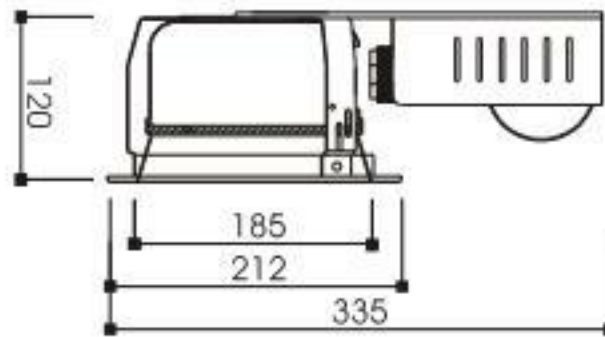
7628



REFLECTOR		RECOMMENDED LAMP			RIM		
FACET DESIGN		LAMP BASE	LAMP TYPE	POWER 240VAC	MILD STEEL	ALUM. DIE CAST	STAINLESS STEEL
Q-35-P	Q-35-R	2 x G-24 d	2 x PLC 18 w	0.48 amp.	WHITE	WHITE	NATURAL
.	.				CHROME	TWO TONED	.
.	.						

FROSTED GLASS DIFFUSER

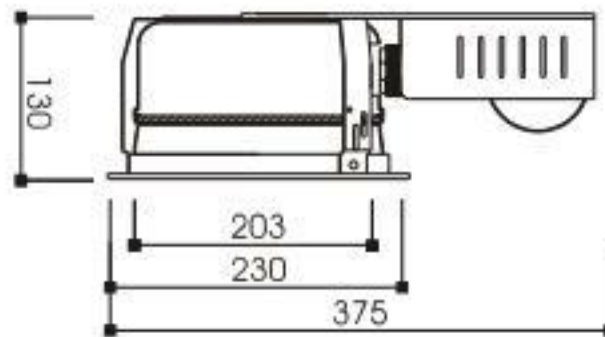
7828



REFLECTOR		RECOMMENDED LAMP			RIM		
FACET DESIGN		LAMP BASE	LAMP TYPE	POWER 240VAC	MILD STEEL	ALUM. DIE CAST	STAINLESS STEEL
Q-58-P	Q-58-R	2 x G-24 d	2 x PLC 26 w	0.62 amp.	WHITE	WHITE	.
.
.	.						

FROSTED GLASS DIFFUSER

7928



REFLECTOR		RECOMMENDED LAMP			RIM		
FACET DESIGN		LAMP BASE	LAMP TYPE	POWER 240VAC	MILD STEEL	ALUM. DIE CAST	STAINLESS STEEL
Q-55-P	Q-55-R	2 x G-24 d	2 x PLC 26 w	0.62 amp.	WHITE	WHITE	.
.
.	.						

FROSTED GLASS DIFFUSER

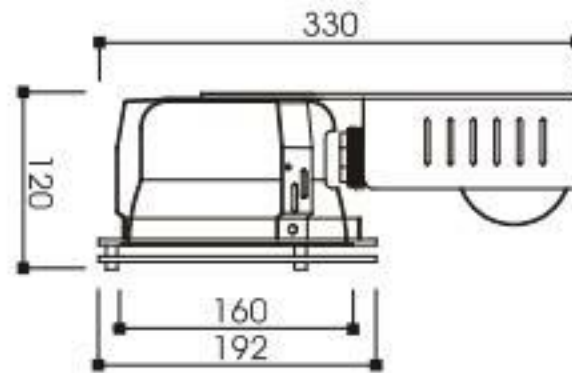


7616 . 7818

Class 1 - IP 20

Recessed Horizontal Down Light For Compact Fluorescent Lamp - PLC/FDL-G

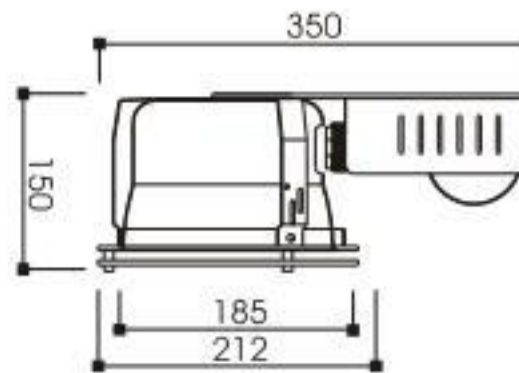
7616



REFLECTOR		RECOMMENDED LAMP			RIM		
FACET DESIGN		LAMP BASE	LAMP TYPE	POWER 240VAC	MILD STEEL	ALUM. DIE CAST	STAINLESS STEEL
FF-A	PP-A	2 x G 24 d	2 x PLC 18 w	0.48 amp.	.	WHITE	.
FS-A	TH-V				.	.	.
RH-V
.

FLOATING GLASS DIFFUSER · SEMI FROSTED

7818



REFLECTOR		RECOMMENDED LAMP			RIM		
FACET DESIGN		LAMP BASE	LAMP TYPE	POWER 240VAC	MILD STEEL	ALUM. DIE CAST	STAINLESS STEEL
FS-A	PS-A	2 x G 24 d	2 x PLC 26 w	0.62 amp.	.	WHITE	.
PP-A	RS-A				.	.	.
.
.

FLOATING GLASS DIFFUSER · SEMI FROSTED

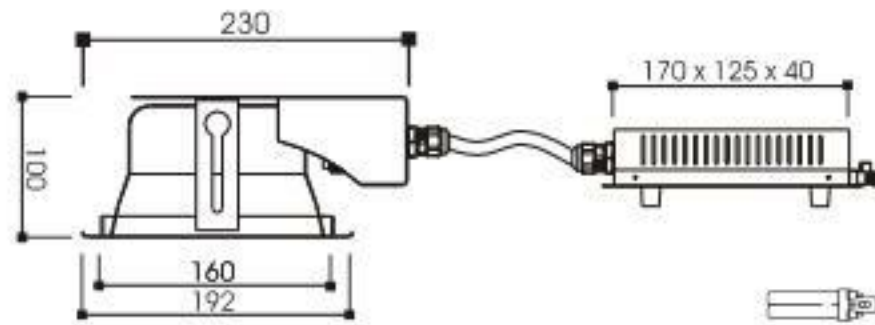
175100 . 175130 . 215150

Class 1 - IP 20

Recessed Horizontal Down Light For Compact Fluorescent Lamp - PLC/FDL-G

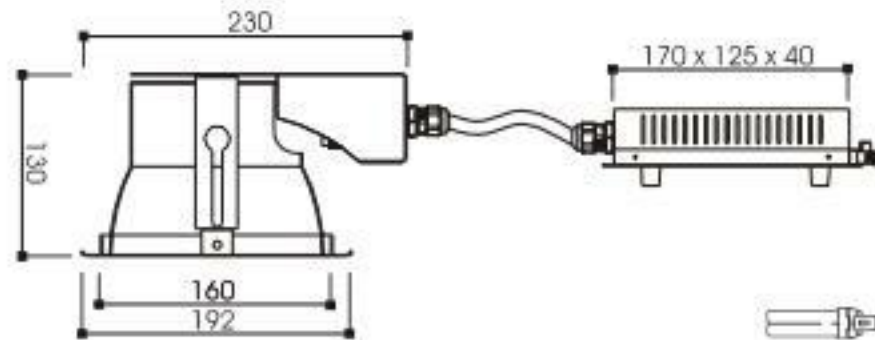


175100



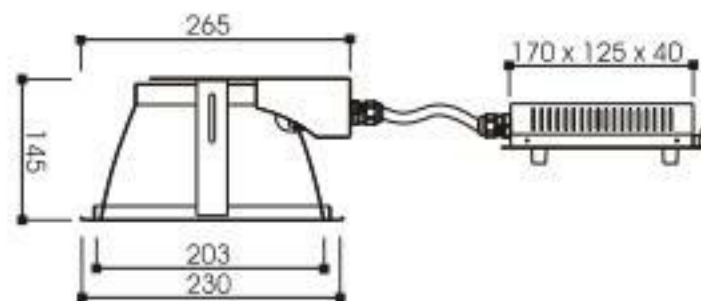
REFLECTOR		RECOMMENDED LAMP			RIM		
FACET DESIGN		LAMP BASE	LAMP TYPE	POWER 240VAC	MILD STEEL	ALUM. DIE CAST	STAINLESS STEEL
PP-A	FF-A	2 x G 24 d	2 x PLC 18 w	0.48 amp.	WHITE	WHITE	NATURAL
RH-V	FS-A				CHROME	.	.
TH-V

175130



REFLECTOR		RECOMMENDED LAMP			RIM		
FACET DESIGN		LAMP BASE	LAMP TYPE	POWER 240VAC	MILD STEEL	ALUM. DIE CAST	STAINLESS STEEL
RFH-A	.	2 x G 24 d	2 x PLC 26 w	0.62 amp.	WHITE	WHITE	.
.
.

215150



REFLECTOR		RECOMMENDED LAMP			RIM		
FACET DESIGN		LAMP BASE	LAMP TYPE	POWER 240VAC	MILD STEEL	ALUM. DIE CAST	STAINLESS STEEL
RH-A	RP-A	2 x G 24 d	2 x PLC 26 w	0.62 amp.	WHITE	WHITE	.
PP-A	EP-A				.	.	.
.

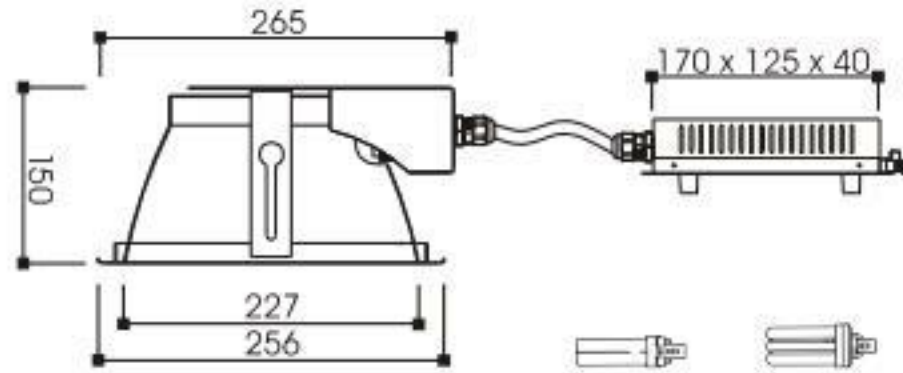


230150 . 245190

Class 1 - IP 20

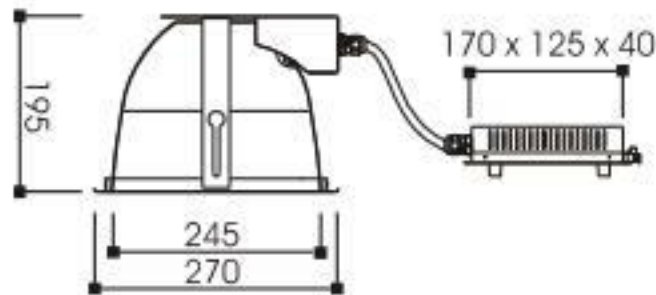
Recessed Horizontal Down Light For Compact Fluorescent Lamp - PLT/PLC/FDL-G

230150



REFLECTOR		RECOMMENDED LAMP			RIM		
FACET DESIGN		LAMP BASE	LAMP TYPE	POWER 240VAC	MILD STEEL	ALUM. DIE CAST	STAINLESS STEEL
FF-A	.	2x G 24 d 2x G 24 q	2 x PLC 26 w 2 x PLT 42 w	0.62 amp. 0.38 amp.	WHITE	.	.
.	.				.	.	
.	.				.	.	
.	.				.	.	

245190



REFLECTOR		RECOMMENDED LAMP			RIM		
FACET DESIGN		LAMP BASE	LAMP TYPE	POWER 240VAC	MILD STEEL	ALUM. DIE CAST	STAINLESS STEEL
EP-A	.	2 x G 24 q	2 x PLT 42 w	0.38 amp.	WHITE	.	.
.	.				.	.	
.	.				.	.	
.	.				.	.	

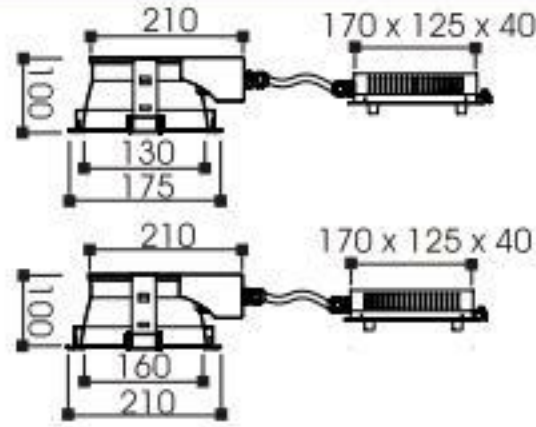
5213 . 5226 . 5213P . 5226P . 5226D

Class 1 - IP 20

Recessed Horizontal Down Light For Compact Fluorescent Lamp - PLC/FDL-G



5213/5226



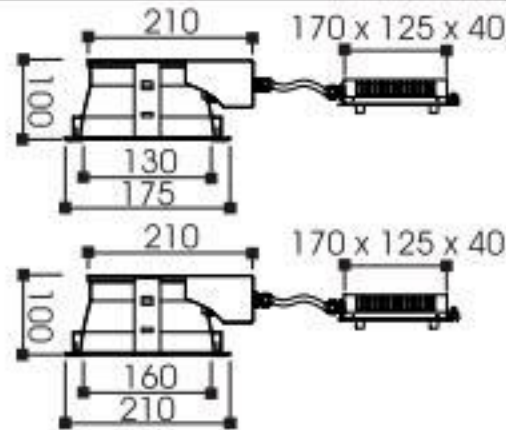
5213

5226



REFLECTOR		RECOMMENDED LAMP			RIM		
FACET DESIGN		LAMP BASE	LAMP TYPE	POWER 240VAC	MILD STEEL	ALUM. DIE CAST	STAINLESS STEEL
MODEL : 5213							
PP-A	2 x G 24 d	2 x PLC 18 w	0.48 amp.	WHITE	WHITE	.	
MODEL : 5226							
PP-A	2 x G 24 d	2 x PLC 18 w 2 x PLC 26 w	0.48 amp. 0.62 amp.	WHITE	WHITE	.	
FROSTED GLASS DIFFUSER · MIRROR RIM							

5213P/5226P



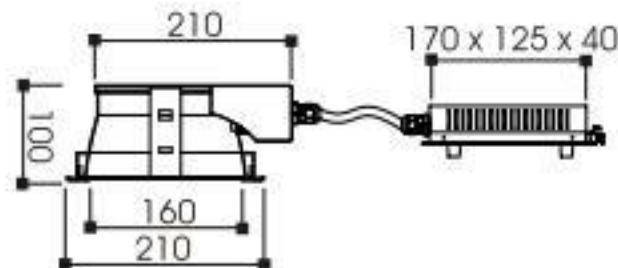
5213P

5226P



REFLECTOR		RECOMMENDED LAMP			RIM		
FACET DESIGN		LAMP BASE	LAMP TYPE	POWER 240VAC	MILD STEEL	ALUM. DIE CAST	STAINLESS STEEL
MODEL : 5213P							
PP-A	2 x G 24 d	2 x PLC 18 w	0.48 amp.	WHITE	WHITE	.	
MODEL : 5226P							
PP-A	2 x G 24 d	2 x PLC 18 w 2 x PLC 26 w	0.48 amp. 0.62 amp.	WHITE	WHITE	.	
ACRYLIC DIFFUSER							

5226D



REFLECTOR		RECOMMENDED LAMP			RIM		
FACET DESIGN		LAMP BASE	LAMP TYPE	POWER 240VAC	MILD STEEL	ALUM. DIE CAST	STAINLESS STEEL
TP-A	2 x G 24 D	2 x PLC 18 w 2 x PLC 26 w	0.48 amp. 0.62 amp.	M.WHITE	WHITE	.	
.			
.			
.			
ACRYLIC DIFFUSER							

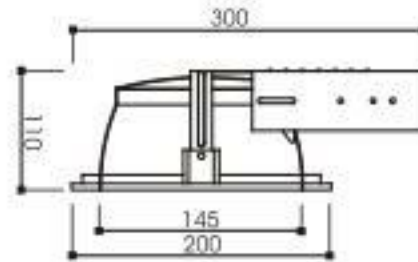


CN608 . CN808

Class 1 - IP 20

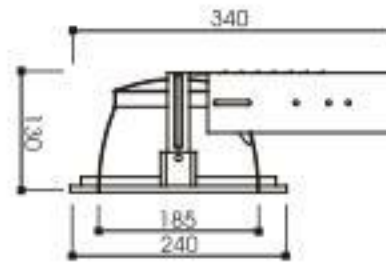
Recessed Horizontal Down Light For Compact Fluorescent Lamp - PLC/FDL-G

CN608



REFLECTOR		RECOMMENDED LAMP			RIM
FACET DESIGN		LAMP BASE	LAMP TYPE	POWER 240VAC	PLASTIC
PP-A	PF-A	2 x G 24 d	2 x PLC 26 w	0.62 amp.	WHITE
RH-V	TH-V				
.	.				
.	.				
GLASS DIFFUSER					

CN808



REFLECTOR		RECOMMENDED LAMP			RIM
FACET DESIGN		LAMP BASE	LAMP TYPE	POWER 240VAC	PLASTIC
PF-A	.	2 x G 24 d	2 x PLC 26 w	0.62 amp.	WHITE
.	.				
.	.				
.	.				
GLASS DIFFUSER					

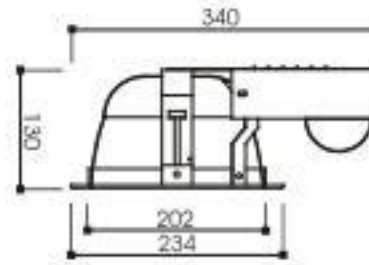
CM7900 . CM7910

Class 1 - IP 20

Recessed Horizontal Down Light For Compact Fluorescent Lamp - PLC/FDL-G

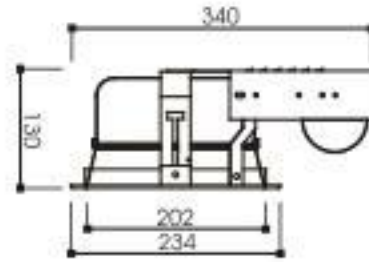


CM7900



REFLECTOR		RECOMMENDED LAMP			RIM	
FACET DESIGN	LAMP BASE	LAMP TYPE	POWER 240VAC	MILD STEEL	ALUM. DIE CAST	
RP-A	2 x G 24 d	2 x PLC 26 w	0.62 amp.	MILD STEEL	ALUM. DIE CAST	
-				WHITE	WHITE	
-						
-						

CM7910



REFLECTOR		RECOMMENDED LAMP			RIM	
FACET DESIGN	LAMP BASE	LAMP TYPE	POWER 240VAC	MILD STEEL	ALUM. DIE CAST	
PP-A	2 x G 24 d	2 x PLC 26 w	0.62 amp.	MILD STEEL	ALUM. DIE CAST	
R-A				WHITE	WHITE	
-						
-						

FROSTED GLASS DIFFUSER

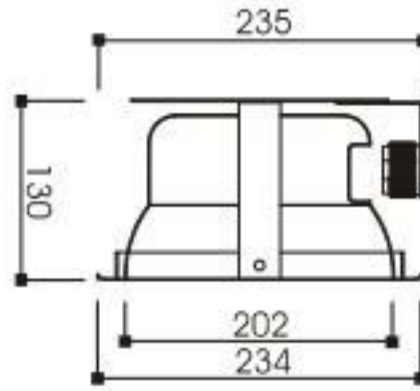


7908 . 7120

Class 1 - IP 20

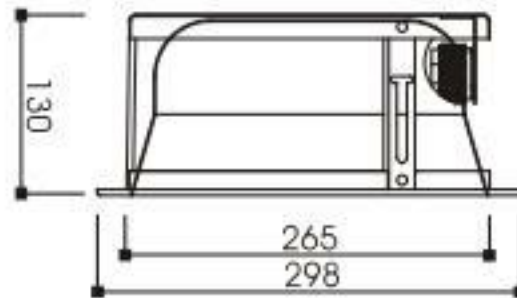
Recessed Horizontal Down Light For Compact Fluorescent Lamp - PLC/FDL-G

7908



REFLECTOR		RECOMMENDED LAMP			RIM
FACET DESIGN		LAMP BASE	LAMP TYPE	POWER 240VAC	MILD STEEL
EP-A	PP-A	2 x G 24 d	2 x PLC 26 w	0.62 amp.	WHITE
FF-A	RP-V				
.	.				
.	.				

7120



REFLECTOR		RECOMMENDED LAMP			RIM
FACET DESIGN		LAMP BASE	LAMP TYPE	POWER 240VAC	MILD STEEL
TH-V	.	2 x G 24 q	2 x PLT 42 w	0.36 amp.	WHITE
.	.				
.	.				
.	.				

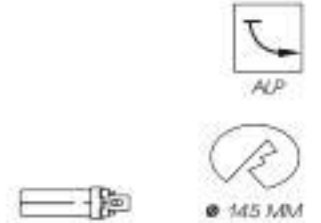
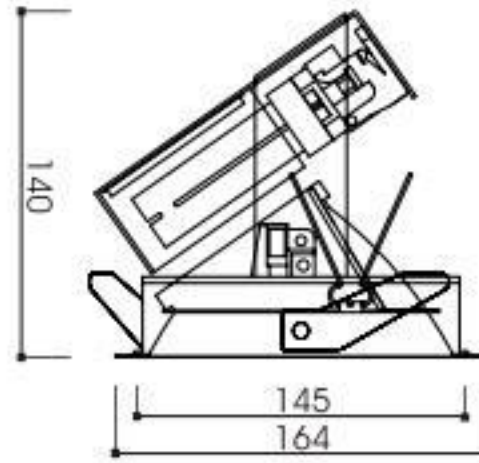
4210 . 4218 . 4226

Class 1 - IP 20

Recessed Wall Washer Adjustable Lamp Position For Compact Fluorescent Lamp - PLC/FDL-G

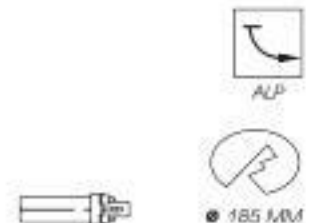
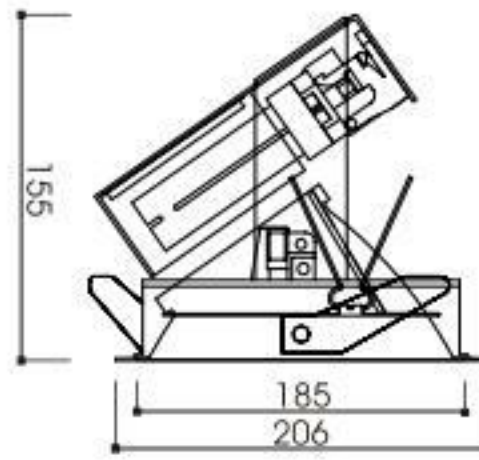


4210



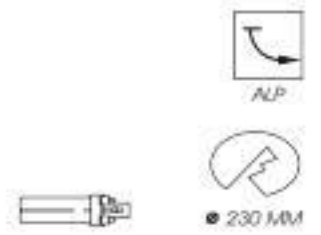
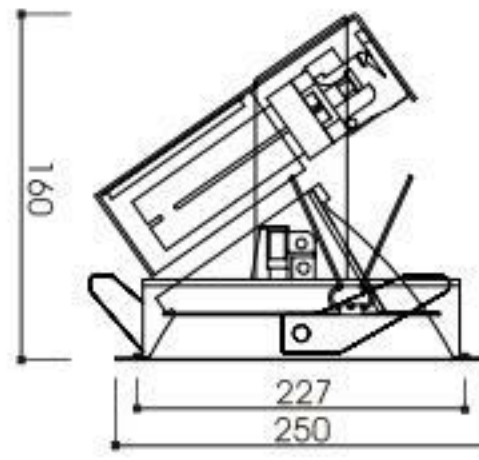
REFLECTOR		RECOMMENDED LAMP			RIM		
FACET DESIGN		LAMP BASE	LAMP TYPE	POWER 240VAC	MILD STEEL	ALUM. DIE CAST	STAINLESS STEEL
.	PP-A	2 x G 24 d	2 x PLC 10 w	0.38 amp.	WHITE	.	.
.
.
.

4218



REFLECTOR		RECOMMENDED LAMP			RIM		
FACET DESIGN		LAMP BASE	LAMP TYPE	POWER 240VAC	MILD STEEL	ALUM. DIE CAST	STAINLESS STEEL
.	PP-A	2 x G 24 d	2 x PLC 18 w	0.48 amp.	WHITE	.	.
.
.
.

4226



REFLECTOR		RECOMMENDED LAMP			RIM		
FACET DESIGN		LAMP BASE	LAMP TYPE	POWER 240VAC	MILD STEEL	ALUM. DIE CAST	STAINLESS STEEL
.	PP-A	2 x G 24 d	2 x PLC 26 w	0.62 amp.	WHITE	.	.
.
.
.



**RECESSED HORIZONTAL DOWN LIGHT FOR
COMPACT FLUORESCENT LAMP - PLCE/EFD/EFS**

38 EH125 . EH160 . EH190

39 EH125G . EH160G . EH190G

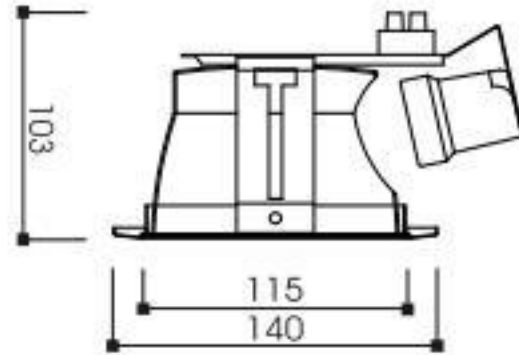
EH125 . EH160 . EH190

Class 1 - IP 20

Recessed Horizontal Down Light For Compact Fluorescent Lamp - PLCE/EFD/EFS

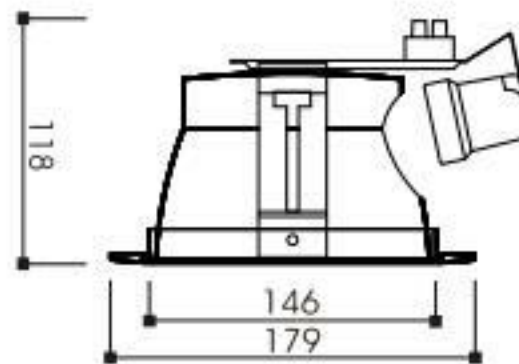


EH125



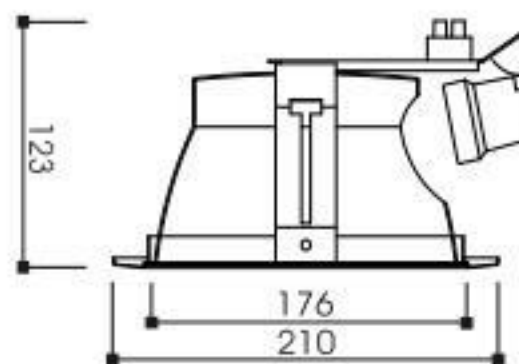
REFLECTOR		RECOMMENDED LAMP			RIM		
FACET DESIGN		LAMP BASE	LAMP TYPE	POWER 240VAC	MILD STEEL		
TH-A	.	1 x E 27	1 x PLCE 18 w 1 x PLCE 25 w	0.14 amp. 0.18 amp.	WHITE	SILVER CHROME	.
.	.				MATT SATIN	GOLD CHROME	.
.	.						
.	.						

EH160



REFLECTOR		RECOMMENDED LAMP			RIM		
FACET DESIGN		LAMP BASE	LAMP TYPE	POWER 240VAC	MILD STEEL		
TH-A	.	1 x E 27 1 x E 27 2 x E 27	1 x PLCE 18 w 1 x PLCE 25 w 2 x PLCE 18 w	0.14 amp. 0.18 amp. 0.26 amp.	WHITE	SILVER CHROME	.
.	.				MATT SATIN	GOLD CHROME	.
.	.						
.	.						

EH190



REFLECTOR		RECOMMENDED LAMP			RIM		
FACET DESIGN		LAMP BASE	LAMP TYPE	POWER 240VAC	MILD STEEL		
TH-A	.	1 x E 27 2 x E 27 2 x E 27	1 x PLCE 25 w 2 x PLCE 18 w 2 x PLCE 25 w	0.18 amp. 0.26 amp. 0.36 amp.	WHITE	SILVER CHROME	.
.	.				MATT SATIN	GOLD CHROME	.
.	.						
.	.						

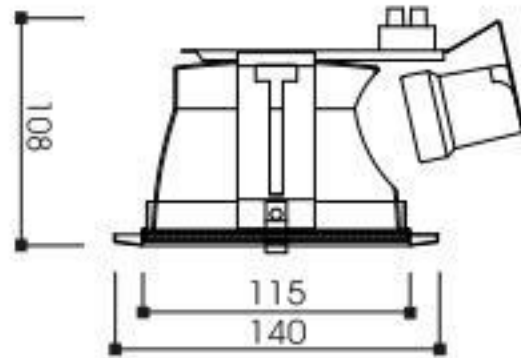


EH125G . EH160G . EH190G

Class 1 - IP 20

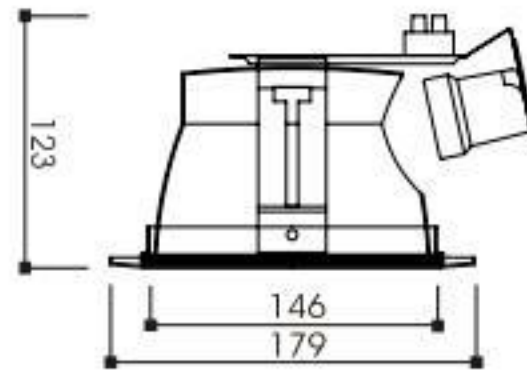
Recessed Horizontal Down Light For Compact Fluorescent Lamp - PLCE/EFD/EFS

EH125G



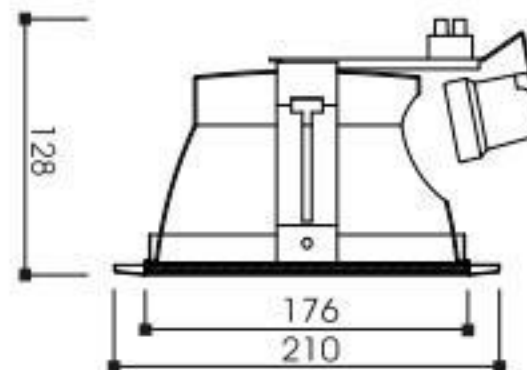
REFLECTOR		RECOMMENDED LAMP			RIM		
FACET DESIGN		LAMP BASE	LAMP TYPE	POWER 240VAC	MILD STEEL		
TH-A	.	1 x E 27	1 x PLCE 18 w	0.14 amp.	WHITE	SILVER CHROME	.
.	.		1 x PLCE 25 w	0.18 amp.	MATT SATIN	GOLD CHROME	.
.	.						
.	.						
GLASS DIFFUSER - SEMI FROSTED							

EH160G



REFLECTOR		RECOMMENDED LAMP			RIM		
FACET DESIGN		LAMP BASE	LAMP TYPE	POWER 240VAC	MILD STEEL		
TH-A	.	1 x E 27 1 x E 27 2 x E 27	1 x PLCE 18 w	0.14 amp.	WHITE	SILVER CHROME	.
.	.		1 x PLCE 25 w	0.18 amp.	MATT SATIN	GOLD CHROME	.
.	.		2 x PLCE 18 w	0.28 amp.			
.	.						
GLASS DIFFUSER - SEMI FROSTED							

EH190G



REFLECTOR		RECOMMENDED LAMP			RIM		
FACET DESIGN		LAMP BASE	LAMP TYPE	POWER 240VAC	MILD STEEL		
TH-A	.	1 x E 27 2 x E 27 2 x E 27	1 x PLCE 25 w	0.18 amp.	WHITE	SILVER CHROME	.
.	.		2 x PLCE 18 w	0.28 amp.	MATT SATIN	GOLD CHROME	.
.	.		2 x PLCE 25 w	0.36 amp.			
.	.						
GLASS DIFFUSER - SEMI FROSTED							



- 41** 8162 . 8114 . 8118
- 42** 8213 . 8213AF . 8213AD
- 43** 8213AP . 8213AT . 8214
- 44** 8214C . 8214FM . 8311
- 45** 8226 . 8227 . 8227FM
- 46** 81150 . 81151 . 8232
- 47** 8242 . 8242F . 8242ID

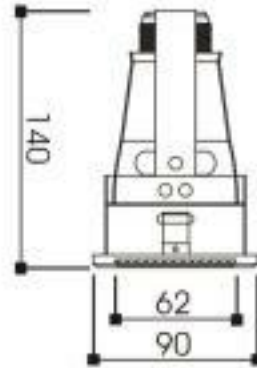


8162 . 8114 . 8118

Class 1 - IP 20

Recessed Square Down Light

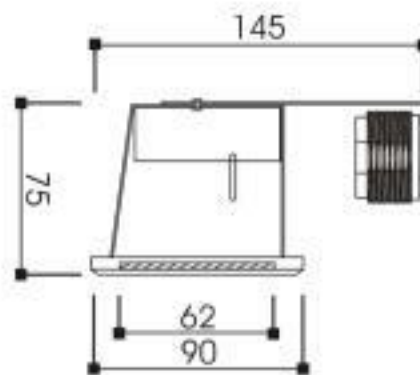
8162



REFLECTOR		RECOMMENDED LAMP			RIM		
FACET DESIGN		LAMP BASE	LAMP TYPE	POWER 240VAC	MILD STEEL	ALUM. DIE CAST	STAINLESS STEEL
FS-A	PL-V	1 x G 24 d	1 x PLC 13 w	0.19 amp.	M.WHITE	M.WHITE	*
*	*				M.SILVER	M.SILVER	*
*	*						
*	*						

FROSTED GLASS DIFFUSER

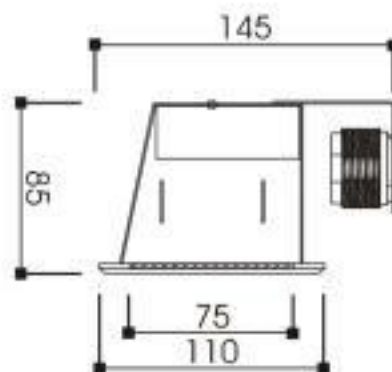
8114



REFLECTOR		RECOMMENDED LAMP			RIM		
FACET DESIGN		LAMP BASE	LAMP TYPE	POWER 240VAC	MILD STEEL	ALUM. DIE CAST	STAINLESS STEEL
PP-A	*	1 x G 24 d	1 x PLC 10 w	0.19 amp.	*	M.WHITE	*
*	*				M.SILVER	*	
*	*						
*	*						

FROSTED GLASS DIFFUSER

8118



REFLECTOR		RECOMMENDED LAMP			RIM		
FACET DESIGN		LAMP BASE	LAMP TYPE	POWER 240VAC	MILD STEEL	ALUM. DIE CAST	STAINLESS STEEL
PP-A	*	1 x G 24 d 1 x G 24 d 1 x E 27	1 x PLC 10 w 1 x PLC 3 u 18 w 1 x PLCE 18 w	0.19 amp. 0.24 amp. 0.07 amp.	*	M.WHITE	*
*	*				M.SILVER	*	
*	*						
*	*						

FROSTED GLASS DIFFUSER

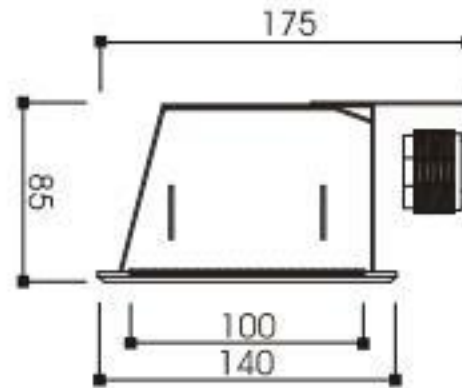
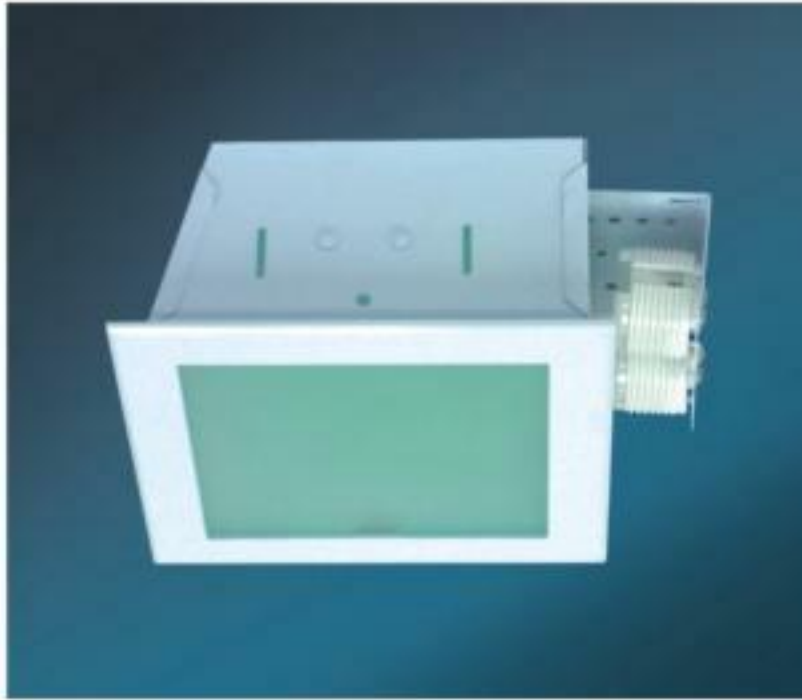
8213 . 8213AF . 8213AD

Class 1 - IP 20

Recessed Square Down Light

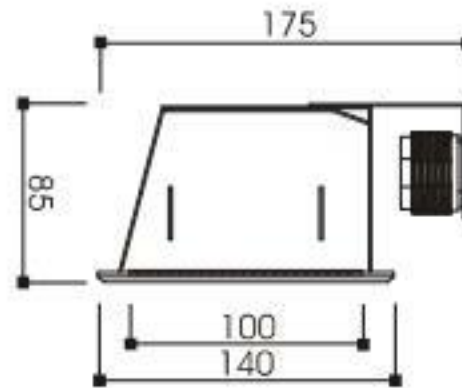


8213



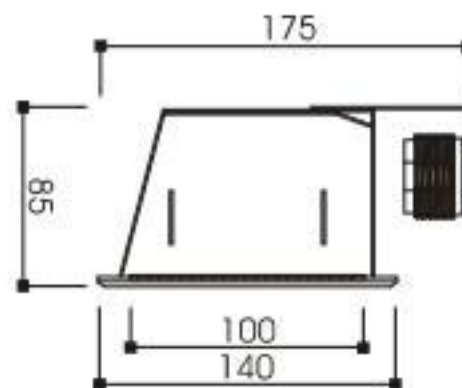
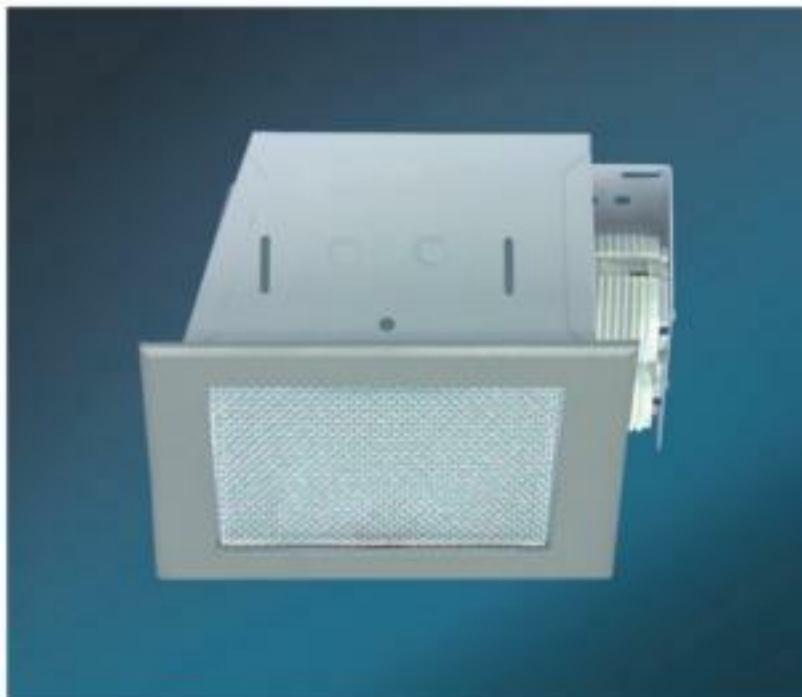
REFLECTOR		RECOMMENDED LAMP			RIM		
FACET DESIGN		LAMP BASE	LAMP TYPE	POWER 240VAC	ALUM. DIE CAST		
PP-A	.	2 x G 24 d 2 x E 27	2 x PLC 18 w 2 x PLCE 18 w	0.48 amp. 0.14 amp.	WHITE	M.WHITE	PEARL NICKEL
.	PEARL CHROME				M.SILVER	SATIN NICKEL	
.							
.							
FROSTED GLASS DIFFUSER							

8213AF



REFLECTOR		RECOMMENDED LAMP			RIM		
FACET DESIGN		LAMP BASE	LAMP TYPE	POWER 240VAC	ALUM. DIE CAST		
PP-A	.	2 x G 24 d 2 x E 27	2 x PLC 18 w 2 x PLCE 18 w	0.48 amp. 0.14 amp.	WHITE	M.WHITE	PEARL NICKEL
.	PEARL CHROME				M.SILVER	SATIN NICKEL	
.							
.							
ACRYLIC FROSTED DIFFUSER							

8213AD



REFLECTOR		RECOMMENDED LAMP			RIM		
FACET DESIGN		LAMP BASE	LAMP TYPE	POWER 240VAC	ALUM. DIE CAST		
PP-A	.	2 x G 24 d 2 x E 27	2 x PLC 18 w 2 x PLCE 18 w	0.48 amp. 0.14 amp.	WHITE	M.WHITE	PEARL NICKEL
.	PEARL CHROME				M.SILVER	SATIN NICKEL	
.							
.							
ACRYLIC DIAMOND DIFFUSER							

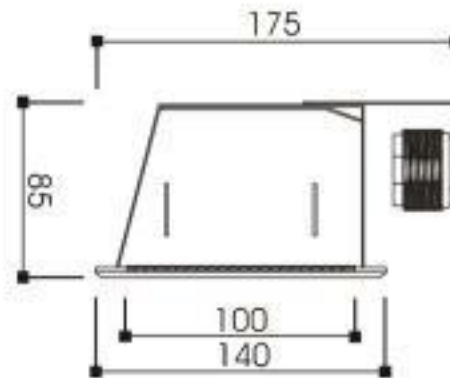


8213AP . 8213AT . 8214

Class 1 - IP 20

Recessed Square Down Light

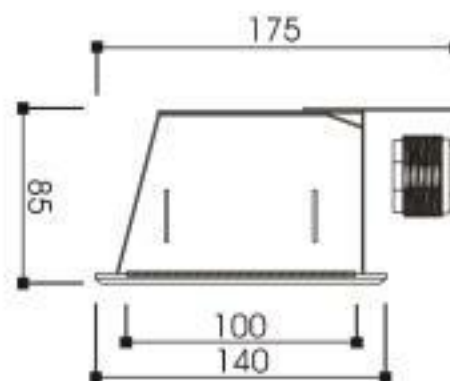
8213AP



123 x 123 MM

REFLECTOR		RECOMMENDED LAMP			RIM		
FACET DESIGN		LAMP BASE	LAMP TYPE	POWER 240VAC	ALUM. DIE CAST		
PP-A	-	2 x G 24 d 2 x E 27	2 x PLC 18 w	0.48 amp.	WHITE	M.WHITE	PEARL NICKEL
-	-		2 x PLCE 18 w	0.14 amp.	PEARL CHROME	M.SILVER	SATIN NICKEL
-	-						
-	-						
ACRYLIC PRISMATIC DIFFUSER							

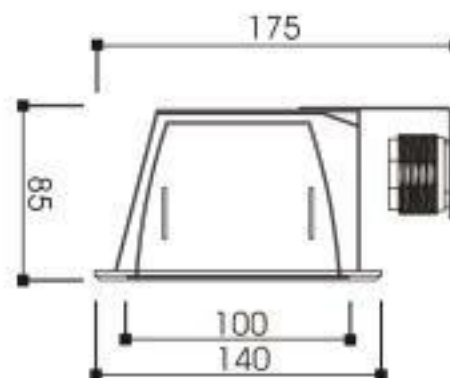
8213AT



123 x 123 MM

REFLECTOR		RECOMMENDED LAMP			RIM		
FACET DESIGN		LAMP BASE	LAMP TYPE	POWER 240VAC	ALUM. DIE CAST		
PP-A	-	2 x G 24 d 2 x E 27	2 x PLC 18 w	0.48 amp.	WHITE	M.WHITE	PEARL NICKEL
-	-		2 x PLCE 18 w	0.14 amp.	PEARL CHROME	M.SILVER	SATIN NICKEL
-	-						
-	-						
ACRYLIC TRIANGLE DIFFUSER							

8214



123 x 123 MM

REFLECTOR		RECOMMENDED LAMP			RIM		
FACET DESIGN		LAMP BASE	LAMP TYPE	POWER 240VAC	ALUM. DIE CAST		
PP-A	-	2 x G 24 d	2 x PLC 18 w	0.48 amp.	WHITE	M.WHITE	PEARL NICKEL
-	-				PEARL CHROME	M.SILVER	SATIN NICKEL
-	-						
-	-						

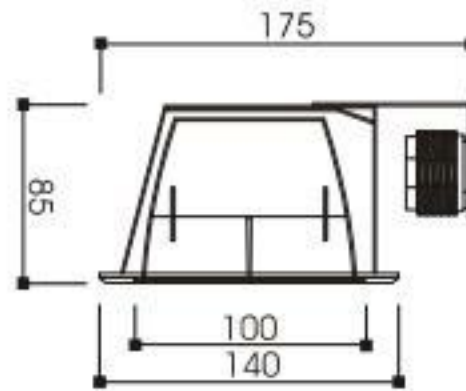
8214C . 8214FM . 8311

Class 1 - IP 20

Recessed Square Down Light

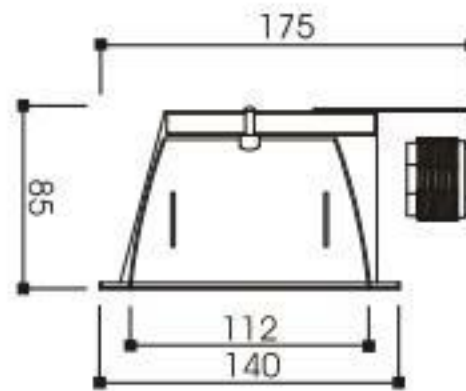


8214C



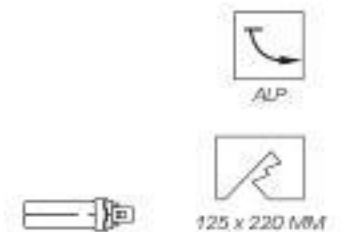
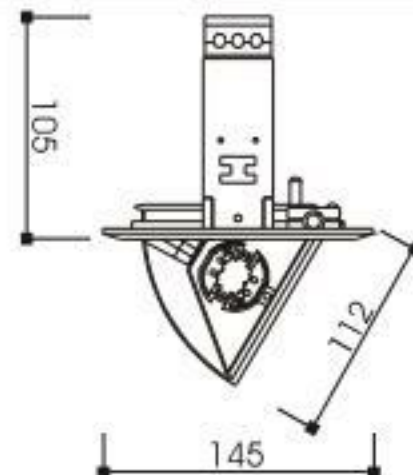
REFLECTOR		RECOMMENDED LAMP			RIM		
FACET DESIGN		LAMP BASE	LAMP TYPE	POWER 240VAC	ALUM. DIE CAST		
PP-A	.	2 x G 24 d	2 x PLC 18 w	0.48 amp.	WHITE	M.WHITE	.
.	.				M.SATIN	M.SILVER	.
.	.						
.	.						

8214FM



REFLECTOR		RECOMMENDED LAMP			RIM		
FACET DESIGN		LAMP BASE	LAMP TYPE	POWER 240VAC	ANODIZED ALUMINIUM MIRROR		
PP-A	.	2 x G 24 d	2 x PLC 18 w	0.48 amp.	.	.	.
.
.	.						
.	.						

8311



REFLECTOR		RECOMMENDED LAMP			RIM		
FACET DESIGN		LAMP BASE	LAMP TYPE	POWER 240VAC	MILD STEEL	ALUM. DIE CAST	STAINLESS STEEL
PP-A	.	1 x G 24 d	1 x PLC 26 w	0.31 amp.	.	WHITE	.
.
.	.						
.	.						

ADJUSTABLE LAMP POSITION

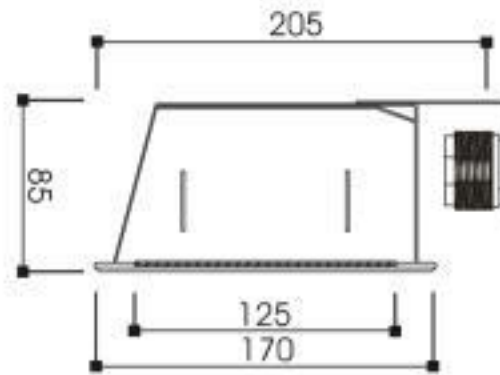


8226 . 8227 . 8227FM

Class 1 - IP 20

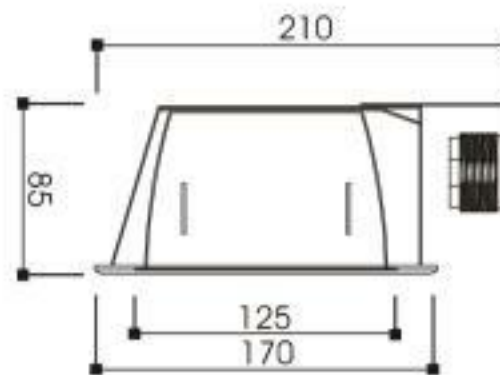
Recessed Square Down Light

8226



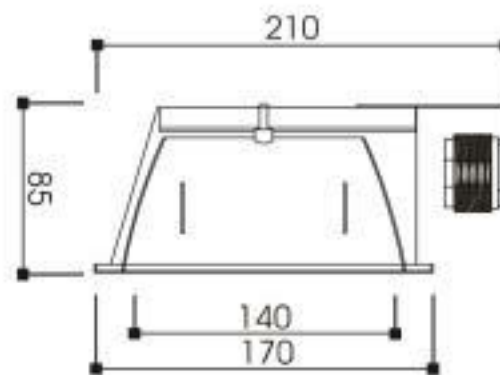
REFLECTOR		RECOMMENDED LAMP			RIM		
FACET DESIGN		LAMP BASE	LAMP TYPE	POWER 240VAC	ALUM. DIE CAST		
PP-A	-	2 x E 27 2 x G 24 d	2 x PLCE 23 w	0.18 amp.	WHITE	M.WHITE	M.SILVER
-	-		2 x PLC 26 w	0.62 amp.	-	-	-
-	-		-	-	-	-	-
-	-		-	-	-	-	-
FROSTED GLASS DIFFUSER							

8227



REFLECTOR		RECOMMENDED LAMP			RIM		
FACET DESIGN		LAMP BASE	LAMP TYPE	POWER 240VAC	ALUM. DIE CAST		
PP-A	-	2 x G 24 d	2 x PLC 26 w	0.62 amp.	WHITE	M.WHITE	M.SILVER
-	-		-	-	-	-	-
-	-		-	-	-	-	-
-	-		-	-	-	-	-

8227FM



REFLECTOR		RECOMMENDED LAMP			RIM		
FACET DESIGN		LAMP BASE	LAMP TYPE	POWER 240VAC	ANODIZED ALUMINIUM MIRROR		
PP-A	-	2 x G 24 d	2 x PLC 26 w	0.62 amp.	-	-	-
-	-		-	-	-	-	-
-	-		-	-	-	-	-
-	-		-	-	-	-	-

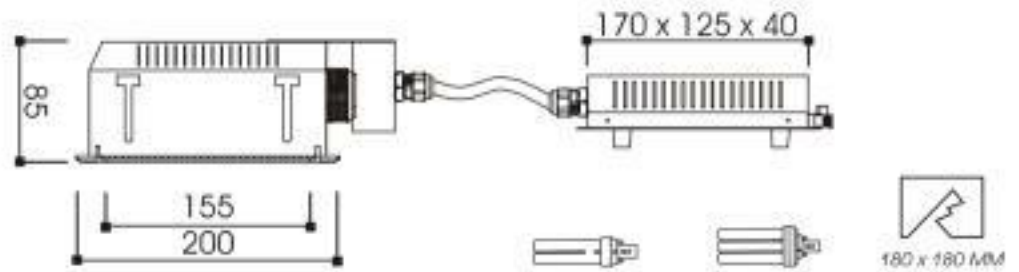
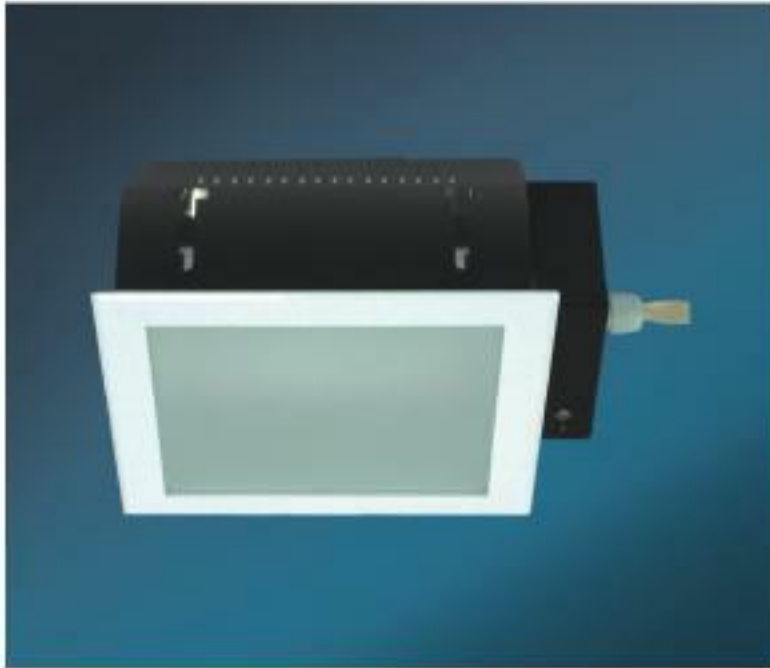
81150 . 81151 . 8232

Class 1 - IP 20

Recessed Square Down Light



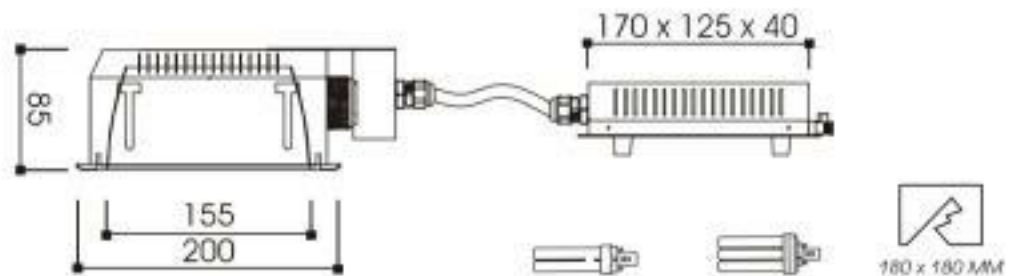
81150



REFLECTOR		RECOMMENDED LAMP			RIN		
FACET DESIGN		LAMP BASE	LAMP TYPE	POWER 240VAC	MILD STEEL	ALUM. DIE CAST	STAINLESS STEEL
PP-A	-	2 x G 24 q 2 x G 24 d	2 x PLT 32 w	0.31 amp. 0.62 amp.	*	WHITE	*
-	-		2 x PLC 26 w		*	*	*
-	-						
-	-						

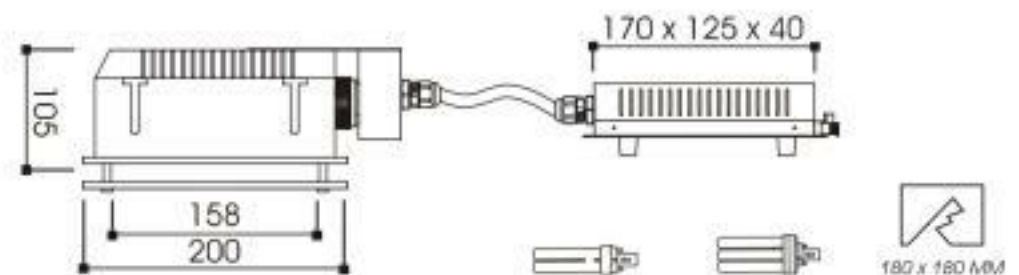
FROSTED GLASS DIFFUSER

81151



REFLECTOR		RECOMMENDED LAMP			RIN		
FACET DESIGN		LAMP BASE	LAMP TYPE	POWER 240VAC	MILD STEEL	ALUM. DIE CAST	STAINLESS STEEL
PP-A	-	2 x G 24 q 2 x G 24 d	2 x PLT 32 w	0.31 amp. 0.62 amp.	*	WHITE	*
-	-		2 x PLC 26 w		*	*	*
-	-						
-	-						

8232



REFLECTOR		RECOMMENDED LAMP			RIN		
FACET DESIGN		LAMP BASE	LAMP TYPE	POWER 240VAC	MILD STEEL	ALUM. DIE CAST	STAINLESS STEEL
PP-A	-	2 x G 24 q 2 x G 24 d	2 x PLT 32 w	0.31 amp. 0.62 amp.	*	WHITE	*
-	-		2 x PLC 26 w		*	*	*
-	-						
-	-						

FLOATING GLASS DIFFUSER - CLEAR

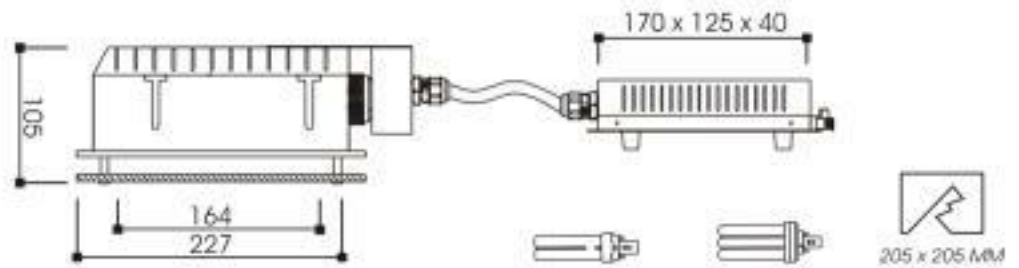


8242 . 8242F . 8242ID

Class 1 - IP 20

Recessed Square Down Light

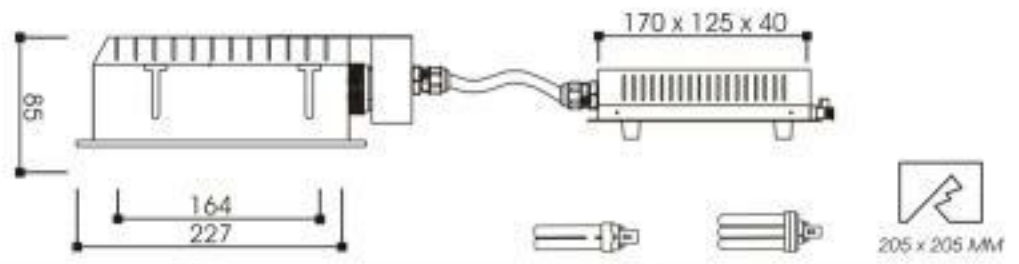
8242



REFLECTOR		RECOMMENDED LAMP			RIM		
FACET DESIGN		LAMP BASE	LAMP TYPE	POWER 240VAC	MILD STEEL	ALUM. DIE CAST	STAINLESS STEEL
PP-A	-	2 x G 24 q 2 x G 24 d	2 x PLT 42 w	0.38 amp. 0.62 amp.	*	WHITE	*
-	-		2 x PLC 26 w		*	*	*
-	-						
-	-						

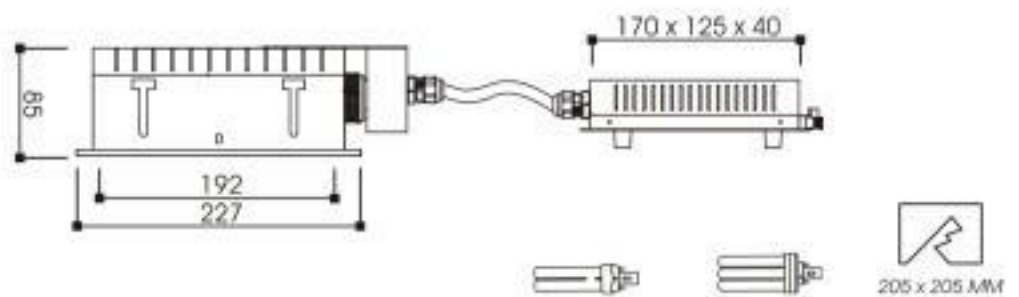
FLOATING GLASS DIFFUSER - FROSTED

8242F



REFLECTOR		RECOMMENDED LAMP			RIM		
FACET DESIGN		LAMP BASE	LAMP TYPE	POWER 240VAC	MILD STEEL	ALUM. DIE CAST	STAINLESS STEEL
PP-A	-	2 x G 24 q 2 x G 24 d	2 x PLT 42 w	0.38 amp. 0.62 amp.	*	WHITE	*
-	-		2 x PLC 26 w		*	*	*
-	-						
-	-						

8242ID



REFLECTOR		RECOMMENDED LAMP			RIM		
FACET DESIGN		LAMP BASE	LAMP TYPE	POWER 240VAC	MILD STEEL	ALUM. DIE CAST	STAINLESS STEEL
PP-A	-	2 x G 24 q 2 x G 24 d	2 x PLT 42 w	0.38 amp. 0.62 amp.	*	WHITE	*
-	-		2 x PLC 26 w		*	*	*
-	-						
-	-						

PERFORATED METAL DIFFUSER

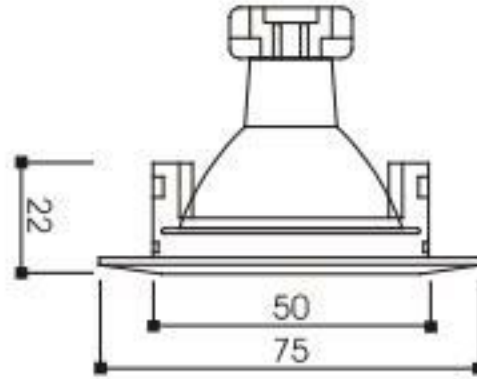


- 49** 75 . 82 . 100
- 50** 110 . 190 . 200
- 51** 701 . 800 . 901
- 52** 905 . 906
- 53** 908 . 909 . 910
- 54** 912 . 913 . 5161
- 55** 8171 . 8172 . 8173
- 56** 9271 . 9272 . 9273
- 57** 9281 . 9282 . 9283
- 58** BDH 90
- 59** H1410SR . H1410SRA
- 60** 8MR1/D . 8MR2/D . 8MR3/D
- 61** 8MR1/F . 8MR2/F . 8MR3/F
- 62** 8MR1/FF . 8MR2/FF . 8MR4/FF
- 63** 8AR1 . 8AR2 . 8AR3
- 64** 8AR4 . 8AR5
- 65** 4120 . 4130 . 4138



75 . 82 . 100
Class 1 - IP 20
 Recessed Halogen Down Light

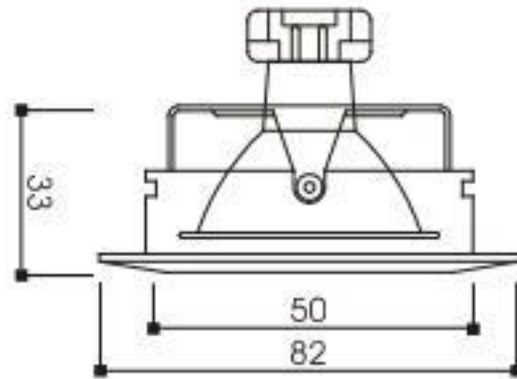
75



● 63 MM

REFLECTOR		RECOMMENDED LAMP			RIM		
FACET DESIGN		LAMP BASE	LAMP TYPE	POWER 240VAC	MILD STEEL	ALUM. DIE CAST	STAINLESS STEEL
REFLECTOR LAMP	.	1 x GU 5.3	1 x HALOGEN MR16 50 w 12 v	0.19 amp.	.	WHITE	.
.	.				.	.	
.	.				.	.	
.	.				.	.	

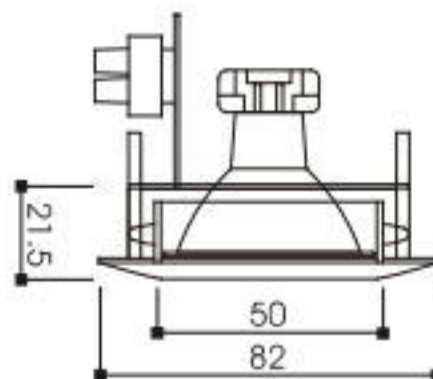
82



● 73 MM

REFLECTOR		RECOMMENDED LAMP			RIM		
FACET DESIGN		LAMP BASE	LAMP TYPE	POWER 240VAC	MILD STEEL	ALUM. DIE CAST	STAINLESS STEEL
REFLECTOR LAMP	.	1 x GU 5.3	1 x HALOGEN MR16 50 w 12 v	0.19 amp.	.	WHITE	.
.	.				.	.	
.	.				.	.	
.	.				.	.	

100



● 73 MM

REFLECTOR		RECOMMENDED LAMP			RIM		
FACET DESIGN		LAMP BASE	LAMP TYPE	POWER 240VAC	ALUM. DIE CAST		
REFLECTOR LAMP	.	1 x GU 5.3	1 x HALOGEN MR16 50 w 12 v	0.19 amp.	WHITE	SILVER	GOLD
.	.				.	.	
.	.				.	.	
.	.				.	.	

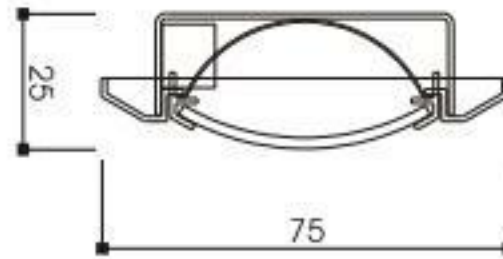
110 . 190 . 200

Class 1 - IP 20

Recessed Halogen Down Light

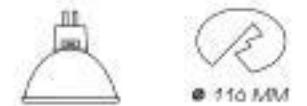
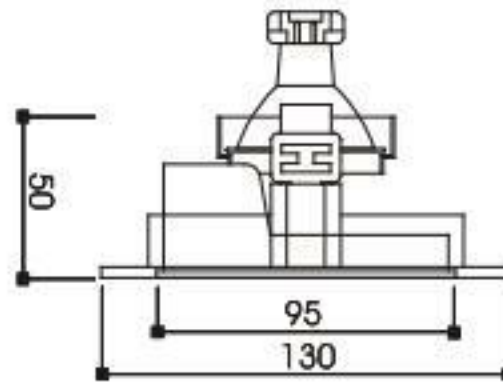


110



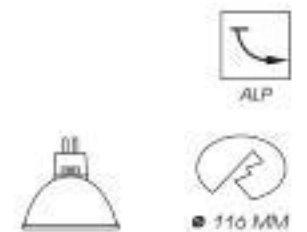
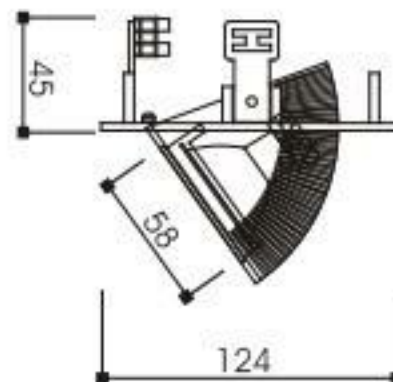
REFLECTOR		RECOMMENDED LAMP			RIM		
FACET DESIGN		LAMP BASE	LAMP TYPE	POWER 240VAC	MILD STEEL	ALUM. DIE CAST	STAINLESS STEEL
FF-A	.	1 x G 4	1 x CAPSULINE 20 w 12 v	0.19 amp.	GOLD	.	.
.	.				M.SATIN	.	.
.	.						
.	.						
FROSTED GLASS DIFFUSER							

190



REFLECTOR		RECOMMENDED LAMP			RIM		
FACET DESIGN		LAMP BASE	LAMP TYPE	POWER 240VAC	MILD STEEL	ALUM. DIE CAST	STAINLESS STEEL
REFLECTOR LAMP		1 x GU 5.3	1 x HALOGEN Mr16 50 w 12 v	0.08 amp.	.	WHITE	.
.	.				.	.	
.	.						
.	.						
NARROW LIGHT BEAM							

200



REFLECTOR		RECOMMENDED LAMP			RIM		
FACET DESIGN		LAMP BASE	LAMP TYPE	POWER 240VAC	MILD STEEL	ALUM. DIE CAST	STAINLESS STEEL
REFLECTOR LAMP		1 x GU 5.3	1 x HALOGEN MR16 50 w 12 v	0.08 amp.	.	WHITE	.
.	.				.	.	
.	.						
.	.						
ADJUSTABLE LAMP POSITION							

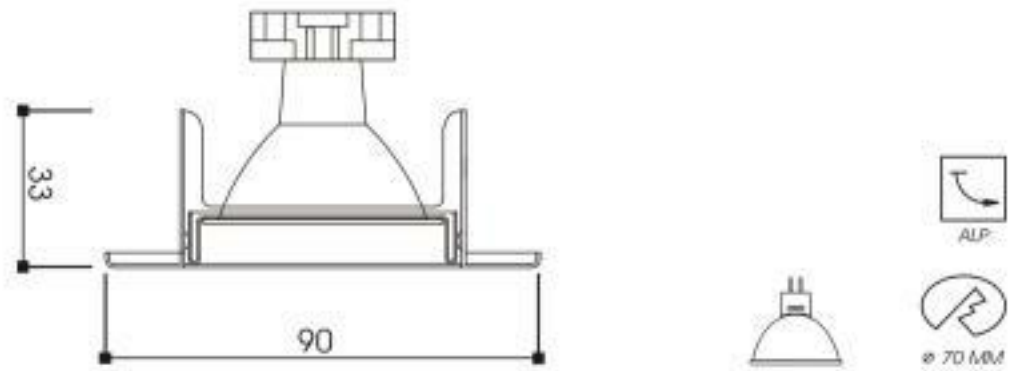


701 . 800 . 901

Class 1 - IP 20

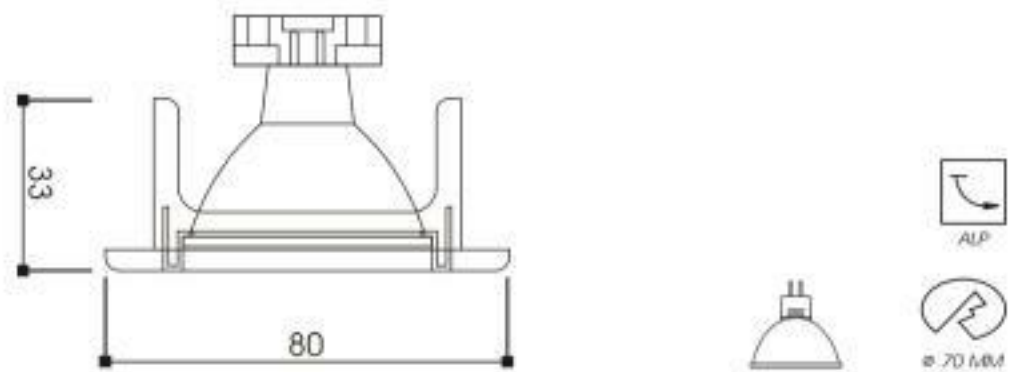
Recessed Halogen Down Light

701



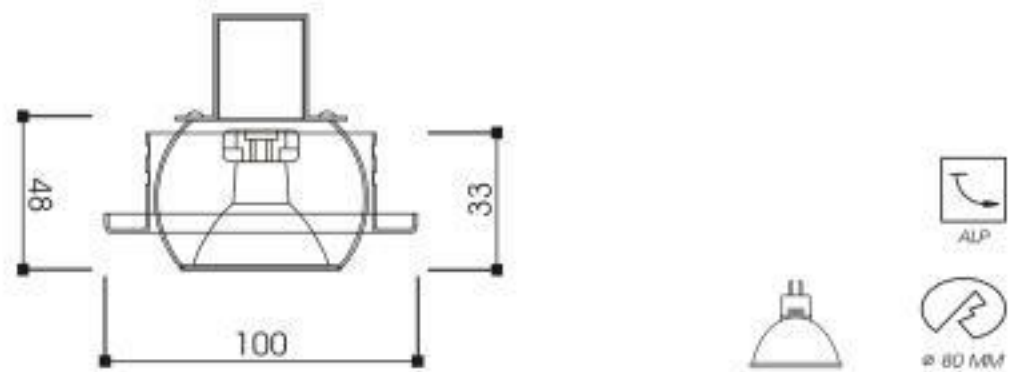
REFLECTOR		RECOMMENDED LAMP			RIN		
FACET DESIGN		LAMP BASE	LAMP TYPE	POWER 240VAC	MILD STEEL		
REFLECTOR LAMP		1 x GU 5.3	1 x HALOGEN MR16 50 w 12 v	0.19 amp.	WHITE	*	GOLD
-	-				-		
-	-				-		
-	-				-		
ADJUSTABLE LAMP POSITION							

801



REFLECTOR		RECOMMENDED LAMP			RIN		
FACET DESIGN		LAMP BASE	LAMP TYPE	POWER 240VAC	MILD STEEL		
REFLECTOR LAMP		1 x G 5.3	1 x HALOGEN MR16 50 w 12 v	0.19 amp.	WHITE	M.SATIN	SILVER
-	-				GOLD	BC	*
-	-				-	-	-
-	-				-	-	-
ADJUSTABLE LAMP POSITION							

901

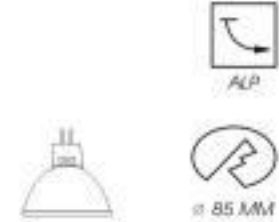
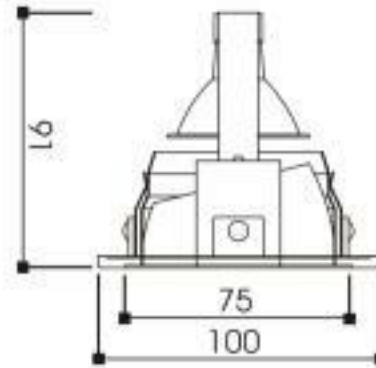


REFLECTOR		RECOMMENDED LAMP			RIN		
FACET DESIGN		LAMP BASE	LAMP TYPE	POWER 240VAC	MILD STEEL	ALUM. DIE CAST	STAINLESS STEEL
REFLECTOR LAMP		1 x GU 5.3	1 x HALOGEN MR16 50 w 12 v	0.19 amp.	WHITE	*	*
-	-				GOLD	*	*
-	-				-	-	-
-	-				-	-	-
ADJUSTABLE LAMP POSITION							

905 . 906
Class 1 - IP 20
 Recessed Halogen Down Light



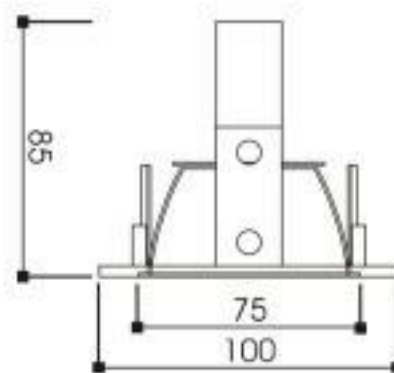
905



REFLECTOR		RECOMMENDED LAMP			RIN		
FACET DESIGN		LAMP BASE	LAMP TYPE	POWER 240VAC	MILD STEEL	ALUM. DIE CAST	STAINLESS STEEL
PP-A	*	1 x GU 5.3	1 x HALOGEN MR16 50 w 12 v	0.19 amp.	*	WHITE	*
*	*				*	*	
*	*				*	*	
*	*				*	*	

ADJUSTABLE LAMP POSITION

906



REFLECTOR		RECOMMENDED LAMP			RIN		
FACET DESIGN		LAMP BASE	LAMP TYPE	POWER 240VAC	ALUM. DIE CAST		
PP-A	*	1 x GU 5.3	1 x HALOGEN MR16 50 w 12 v	0.19 amp.	WHITE	*	*
*	*				*	*	
*	*				*	*	
*	*				*	*	

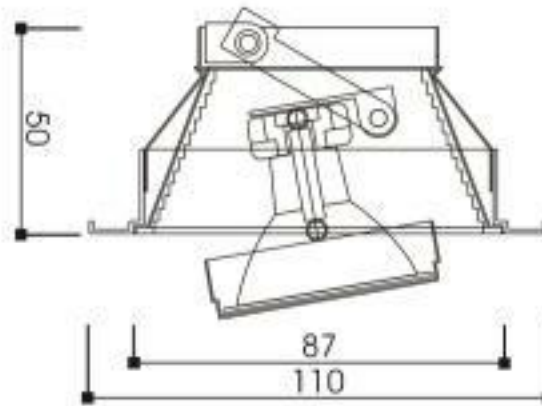


908 . 909 . 910

Class 1 - IP 20

Recessed Halogen Down Light

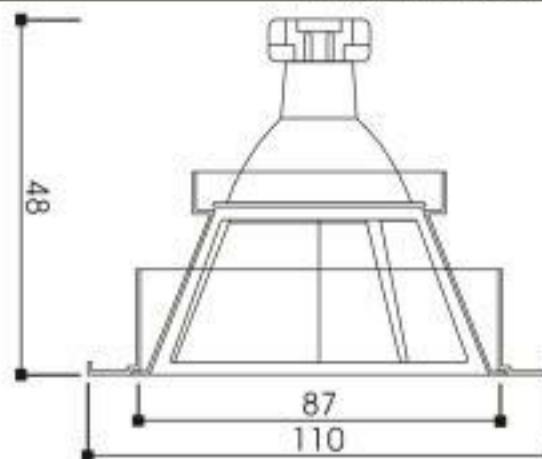
908



REFLECTOR		RECOMMENDED LAMP			RIM		
FACET DESIGN		LAMP BASE	LAMP TYPE	POWER 240VAC	MILD STEEL	ALUM. DIE CAST	STAINLESS STEEL
BLACK	-	1 x GU 5.3	1 x HALOGEN MR16 50 w 12 v	0.19 amp.	WHITE	-	-
-	-				SILVER	-	-
-	-						
-	-						

SQUARE RIM . ADJUSTABLE LAMP POSITION

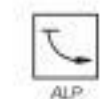
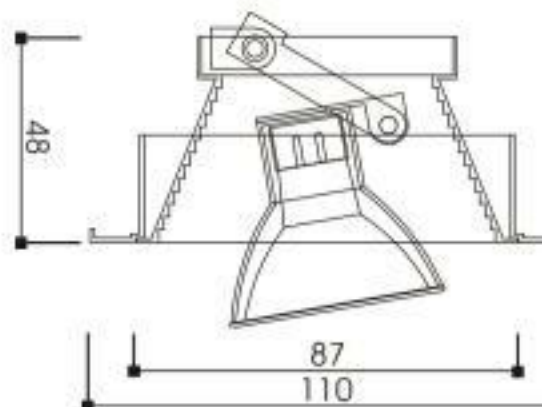
909



REFLECTOR		RECOMMENDED LAMP			RIM		
FACET DESIGN		LAMP BASE	LAMP TYPE	POWER 240VAC	MILD STEEL	ALUM. DIE CAST	STAINLESS STEEL
PP-A	-	1 x GU 5.3	1 x HALOGEN MR16 50 w 12 v	0.19 amp.	WHITE	-	-
-	-				SILVER	-	-
-	-						
-	-						

SQUARE RIM & CROSS LOUVER . ADJUSTABLE LAMP POSITION

910



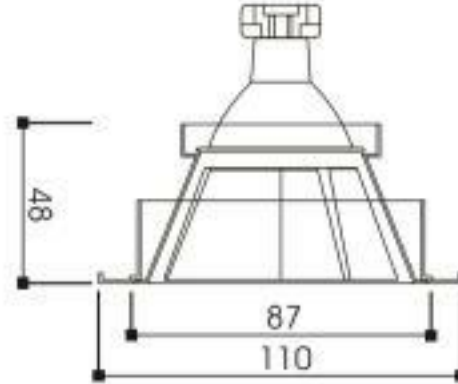
REFLECTOR		RECOMMENDED LAMP			RIM		
FACET DESIGN		LAMP BASE	LAMP TYPE	POWER 240VAC	MILD STEEL	ALUM. DIE CAST	STAINLESS STEEL
BLACK	-	1 x GU 5.3	1 x HALOGEN MR16 50 w 12 v	0.19 amp.	WHITE	-	-
-	-				SILVER	-	-
-	-						
-	-						

ADJUSTABLE LAMP POSITION

912 . 913 . 5161
Class 1 - IP 20
 Recessed Halogen Down Light



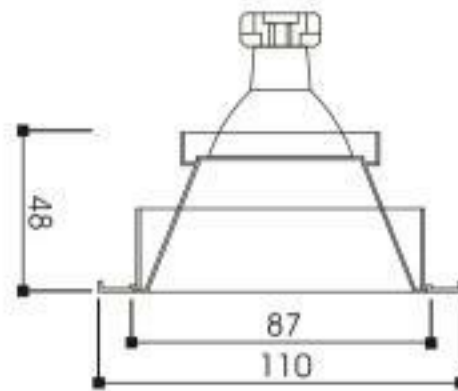
912



Ø 95 MM

REFLECTOR		RECOMMENDED LAMP			RIN		
FACET DESIGN		LAMP BASE	LAMP TYPE	POWER 240VAC	MILD STEEL	ALUM. DIE CAST	STAINLESS STEEL
PP-A	*	1 x GU 5.3	1 x HALOGEN MR16 50 w 12 v	0.19 amp.	WHITE	*	*
*	*				SILVER	*	*
*	*						
*	*						
CROSS LOUVER							

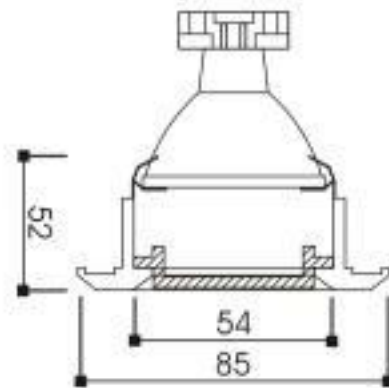
913



Ø 95 MM

REFLECTOR		RECOMMENDED LAMP			RIN		
FACET DESIGN		LAMP BASE	LAMP TYPE	POWER 240VAC	MILD STEEL	ALUM. DIE CAST	STAINLESS STEEL
PP-A	*	1 x GU 5.3	1 x HALOGEN MR16 50 w 12 v	0.19 amp.	WHITE	*	*
*	*				SILVER	*	*
*	*						
*	*						

5161



Ø 70 MM

REFLECTOR		RECOMMENDED LAMP			RIN		
FACET DESIGN		LAMP BASE	LAMP TYPE	POWER 240VAC	MILD STEEL	ALUM. DIE CAST	STAINLESS STEEL
REFLECTOR LAMP		1 x GU 5.3	1 x HALOGEN MR16 50 w 12 v	0.19 amp.	*	WHITE	*
*	*				SILVER	*	
*	*						
*	*						
FROSTED GLASS DIFFUSED							

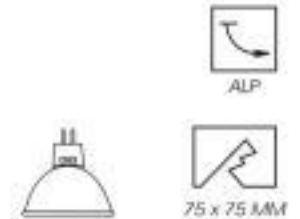
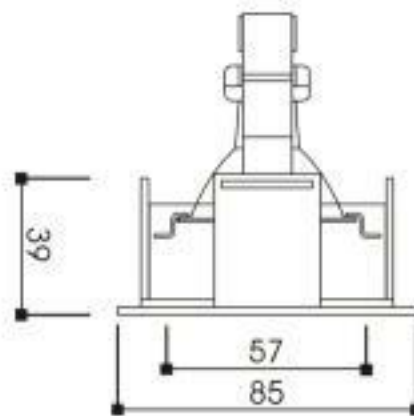


8171 . 8172 . 8173

Class 1 - IP 20

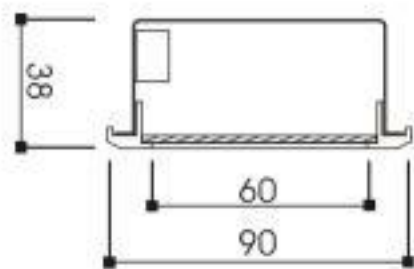
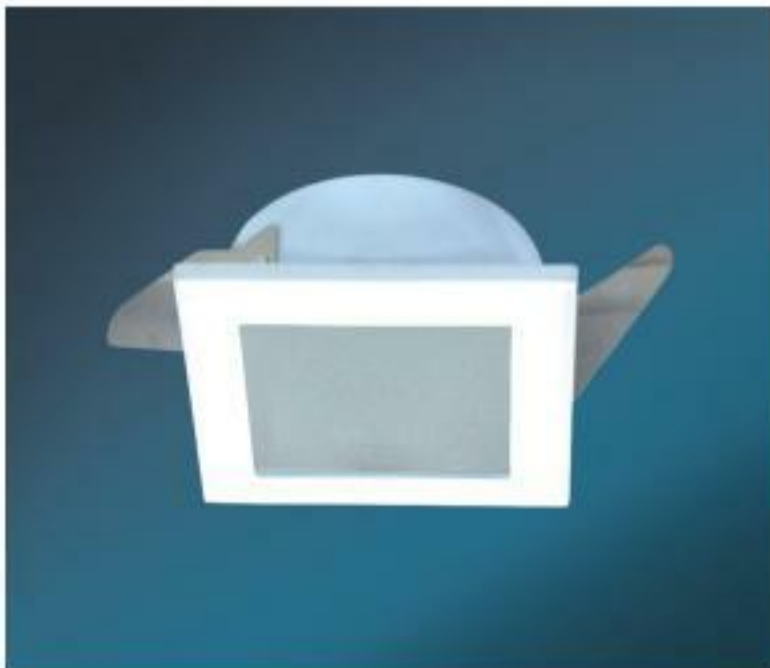
Recessed Halogen Square Down Light

8171



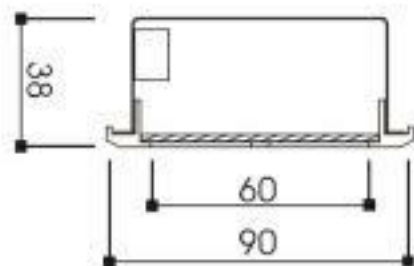
REFLECTOR		RECOMMENDED LAMP			FRAME		
FACET DESIGN		LAMP BASE	LAMP TYPE	POWER 240VAC	MILD STEEL	ALUM. DIE CAST	STAINLESS STEEL
REFLECTOR LAMP		1 x GU 5.3	1 x HALOGEN MR16 50 w 12 v	0.19 amp.	*	M.WHITE	*
*	*				*	M.SILVER	**
*	*						
*	*						
ADJUSTABLE LAMP POSITION							

8172



REFLECTOR		RECOMMENDED LAMP			FRAME		
FACET DESIGN		LAMP BASE	LAMP TYPE	POWER 240VAC	MILD STEEL	ALUM. DIE CAST	STAINLESS STEEL
REFLECTOR LAMP		1 x G 4	1 x CAPSULINE 20 w 10 v	0.08 amp.	*	M.WHITE	*
*	*				*	M.SILVER	**
*	*						
*	*						
FROSTED GLASS DIFFUSER							

8173



REFLECTOR		RECOMMENDED LAMP			FRAME		
FACET DESIGN		LAMP BASE	LAMP TYPE	POWER 240VAC	MILD STEEL	ALUM. DIE CAST	STAINLESS STEEL
REFLECTOR LAMP		1 x G 4	1 x CAPSULINE 20 w 10 v	0.08 amp.	*	M.WHITE	*
*	*				*	M.SILVER	**
*	*						
*	*						
FROSTED GLASS DIFFUSER & CROSS RIM							

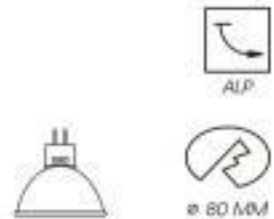
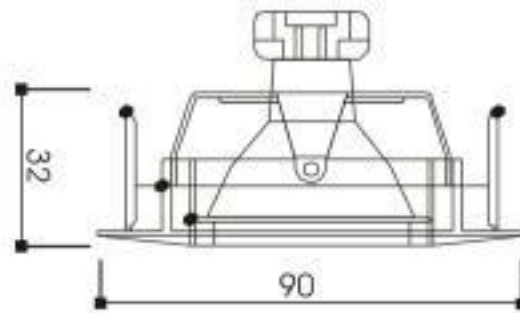
9271 . 9272 . 9273

Class 1 - IP 20

Recessed Halogen Down Light



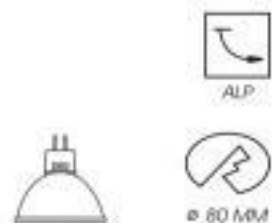
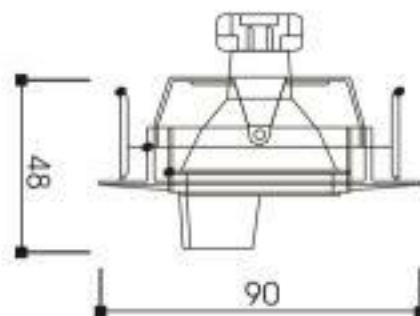
9271



REFLECTOR		RECOMMENDED LAMP		RIN
FACET DESIGN	LAMP BASE	LAMP TYPE	POWER 240VAC	SOLID ALUMINIUM
REFLECTOR LAMP	1 x GU 5.3	1 x HALOGEN MR16 50 w 12 v	0.08 amp.	NATURAL
-	-	-	-	-
-	-	-	-	-
-	-	-	-	-

ADJUSTABLE LAMP POSITION

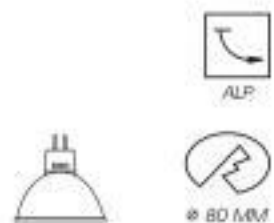
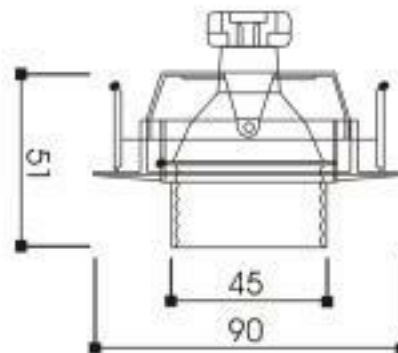
9272



REFLECTOR		RECOMMENDED LAMP		RIN
FACET DESIGN	LAMP BASE	LAMP TYPE	POWER 240VAC	SOLID ALUMINIUM
REFLECTOR LAMP	1 x GU 5.3	1 x HALOGEN MR16 50 w 12 v	0.08 amp.	NATURAL
-	-	-	-	-
-	-	-	-	-
-	-	-	-	-

ADJUSTABLE LAMP POSITION

9273



REFLECTOR		RECOMMENDED LAMP		RIN
FACET DESIGN	LAMP BASE	LAMP TYPE	POWER 240VAC	SOLID ALUMINIUM
REFLECTOR LAMP	1 x GU 5.3	1 x HALOGEN MR16 50 w 12 v	0.08 amp.	NATURAL
-	-	-	-	-
-	-	-	-	-
-	-	-	-	-

ADJUSTABLE LAMP POSITION

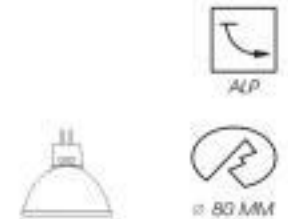
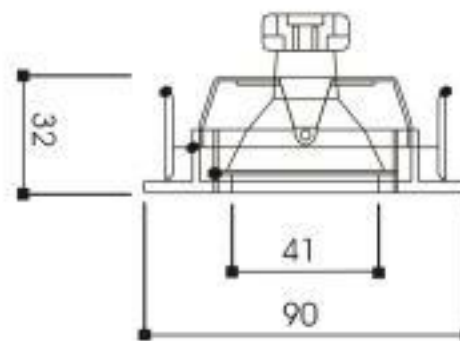


9281 . 9282 . 9283

Class 1 - IP 20

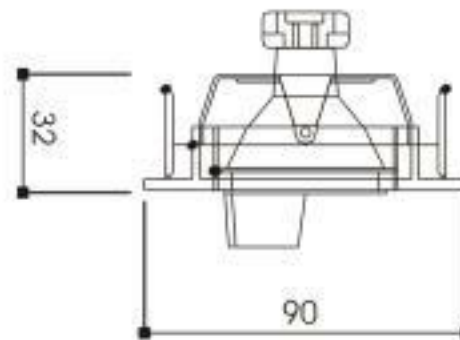
Recessed Halogen Down Light

9281



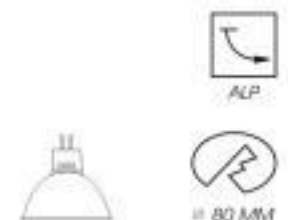
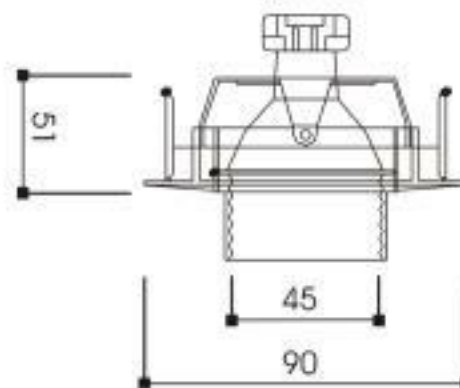
REFLECTOR		RECOMMENDED LAMP			RIM AND FRAME	
FACET DESIGN		LAMP BASE	LAMP TYPE	POWER 240VAC	SOLID ALUMINIUM	
REFLECTOR LAMP		1 x GU 5.3	1 x HALOGEN MR16 50 w 12 v	0.08 amp.	NATURAL	
-	-					
-	-					
-	-					
ADJUSTABLE LAMP POSITION						

9282



REFLECTOR		RECOMMENDED LAMP			RIM AND FRAME	
FACET DESIGN		LAMP BASE	LAMP TYPE	POWER 240VAC	SOLID ALUMINIUM	
REFLECTOR LAMP		1 x GU 5.3	1 x HALOGEN MR16 50 w 12 v	0.08 amp.	NATURAL	
-	-					
-	-					
-	-					
ADJUSTABLE LAMP POSITION						

9283

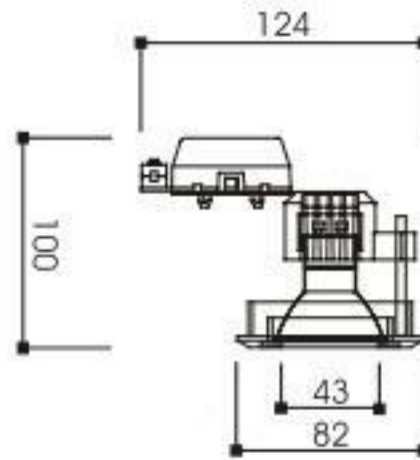


REFLECTOR		RECOMMENDED LAMP			RIM AND FRAME	
FACET DESIGN		LAMP BASE	LAMP TYPE	POWER 240VAC	SOLID ALUMINIUM	
REFLECTOR LAMP		1 x GU 5.3	1 x HALOGEN MR16 50 w 12 v	0.08 amp.	NATURAL	
-	-					
-	-					
-	-					
ADJUSTABLE LAMP POSITION						

BDH 90
Class 1 - IP 20
 Recessed Down Light

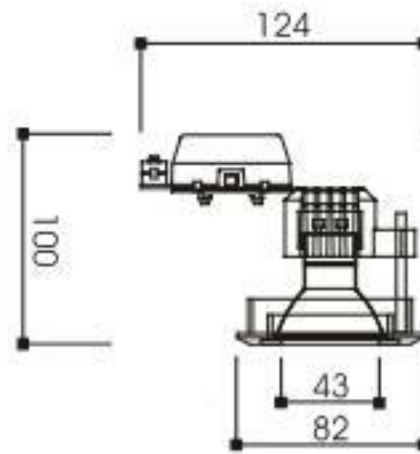


BDH90 BLACK



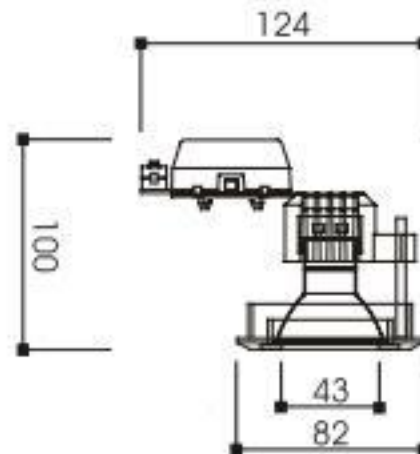
REFLECTOR		RECOMMENDED LAMP			RIM
FACET DESIGN		LAMP BASE	LAMP TYPE	POWER 240VAC	ALUM. DIE CAST
REFLECTOR LAMP		1 x GU 5.3	1 x HALOGEN MR16 50 w 12 v	0.08 amp.	BLACK
.	.				
.	.				
.	.				

BDH90 M.SILVER



REFLECTOR		RECOMMENDED LAMP			RIM
FACET DESIGN		LAMP BASE	LAMP TYPE	POWER 240VAC	ALUM. DIE CAST
REFLECTOR LAMP		1 x GU 5.3	1 x HALOGEN MR16 50 w 12 v	0.08 amp.	MATT SILVER
.	.				
.	.				
.	.				

BDH90 M.WHITE



REFLECTOR		RECOMMENDED LAMP			RIM
FACET DESIGN		LAMP BASE	LAMP TYPE	POWER 240VAC	ALUM. DIE CAST
REFLECTOR LAMP		1 x GU 5.3	1 x HALOGEN MR16 50 w 12 v	0.08 amp.	MATT WHITE
.	.				
.	.				
.	.				

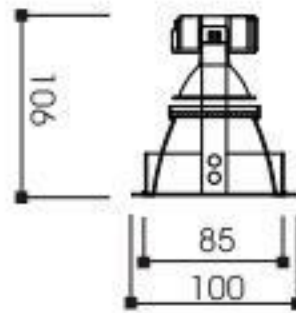


H1410SR . H1410SRA

Class 1 - IP 20

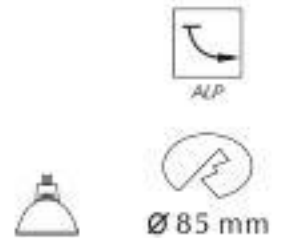
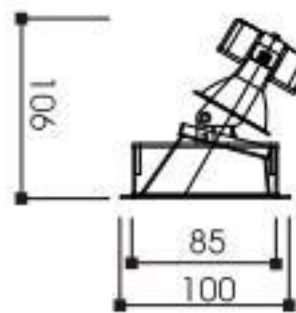
Recessed Halogen Down Light

H1410SR



REFLECTOR		RECOMMENDED LAMP			RIM		
FACET DESIGN		LAMP BASE	LAMP TYPE	POWER 240VAC	MILD STEEL	ALUM. DIE CAST	STAINLESS STEEL
PP-A	.	1 x GU 5.3	1 x HALOGEN MR16 50 w 12 v	0.19 amp.	WHITE	M.BLACK	.
.
.
.

H1410SRA



REFLECTOR		RECOMMENDED LAMP			RIM		
FACET DESIGN		LAMP BASE	LAMP TYPE	POWER 240VAC	MILD STEEL	ALUM. DIE CAST	STAINLESS STEEL
PP-A	.	1 x GU 5.3	1 x HALOGEN MR16 50 w 12 v	0.19 amp.	WHITE	M.BLACK	.
.
.
.

ADJUSTABLE LAMP POSITION

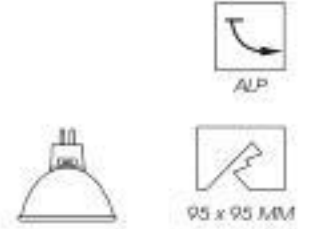
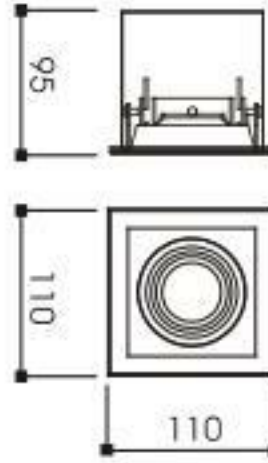
8MR1/D . 8MR2/D . 8MR3/D

Class 1 - IP 20

Recessed Square Down Light Adjustable Lamp Position

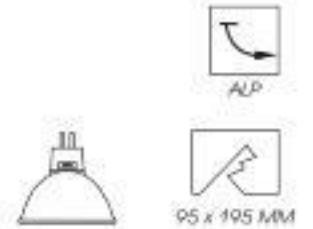
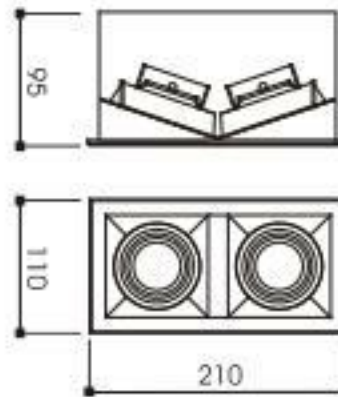


8MR1/D



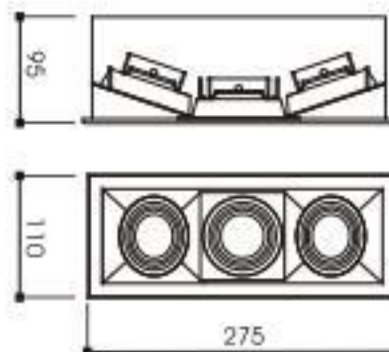
REFLECTOR		RECOMMENDED LAMP			RIM AND FRAME		
FACET DESIGN		LAMP BASE	LAMP TYPE	POWER 240VAC	ALUM. DIE CAST		
REFLECTOR LAMP		1 x GU 5.3	1 x HALOGEN MR16 50 w 12 v	0.19 amp.	WHITE	SILVER	BLACK
.	.				M.WHITE	.	.
.	.						
.	.						

8MR2/D



REFLECTOR		RECOMMENDED LAMP			RIM AND FRAME		
FACET DESIGN		LAMP BASE	LAMP TYPE	POWER 240VAC	ALUM. DIE CAST		
REFLECTOR LAMP		2 x GU 5.3	2 x HALOGEN MR16 50 w 12 v	0.38 amp.	WHITE	SILVER	BLACK
.	.				M.WHITE	.	.
.	.						
.	.						

8MR3/D



REFLECTOR		RECOMMENDED LAMP			RIM AND FRAME		
FACET DESIGN		LAMP BASE	LAMP TYPE	POWER 240VAC	ALUM. DIE CAST		
REFLECTOR LAMP		3 x GU 5.3	3 x HALOGEN MR16 50 w 12 v	0.57 amp.	WHITE	SILVER	BLACK
.	.				M.WHITE	.	.
.	.						
.	.						

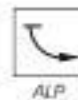
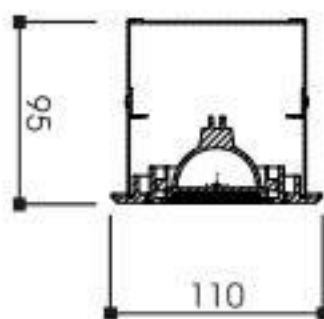


8MR1/F . 8MR2/F . 8MR3/F

Class 1 - IP 20

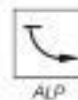
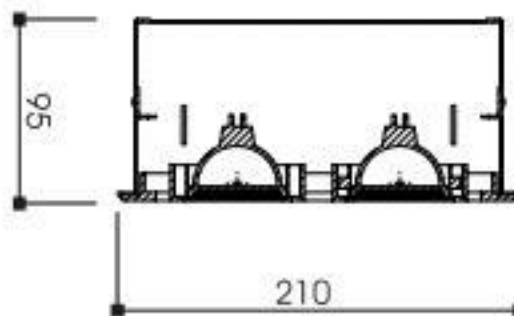
Recessed Square Down Light Adjustable Lamp Position

8MR1/F



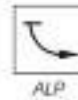
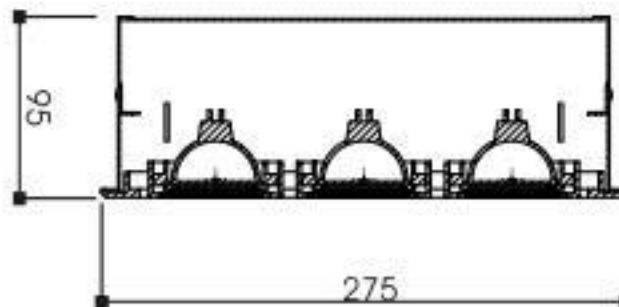
REFLECTOR		RECOMMENDED LAMP			RIM AND FRAME		
FACET DESIGN		LAMP BASE	LAMP TYPE	POWER 240VAC	ALUM. DIE CAST		
REFLECTOR LAMP		1 x GU 5.3	1 x HALOGEN MR 16 50 w 12 v	0.19 amp.	WHITE	SILVER	BLACK
.	.				M.WHITE	.	.
.	.						
.	.						

8MR2/F



REFLECTOR		RECOMMENDED LAMP			RIM AND FRAME		
FACET DESIGN		LAMP BASE	LAMP TYPE	POWER 240VAC	ALUM. DIE CAST		
REFLECTOR LAMP		2 x GU 5.3	2 x HALOGEN MR16 50 w 12 v	0.38 amp.	WHITE	SILVER	BLACK
.	.				M.WHITE	.	.
.	.						
.	.						

8MR3/F



REFLECTOR		RECOMMENDED LAMP			RIM AND FRAME		
FACET DESIGN		LAMP BASE	LAMP TYPE	POWER 240VAC	ALUM. DIE CAST		
REFLECTOR LAMP		3 x GU 5.3	3 x HALOGEN MR16 50 w 12 v	0.57 amp.	WHITE	SILVER	BLACK
.	.				M.WHITE	.	.
.	.						
.	.						

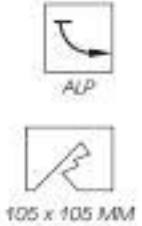
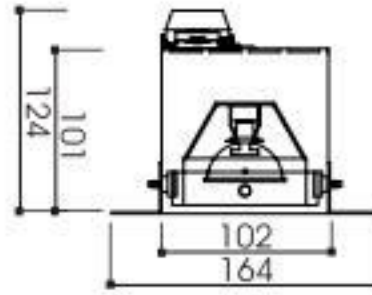
8MR1/FF . 8MR2/FF . 8MR4/FF

Class 1 - IP 20

Recessed Square Down Light Adjustable Lamp Position



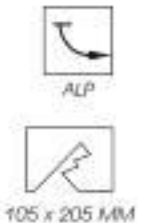
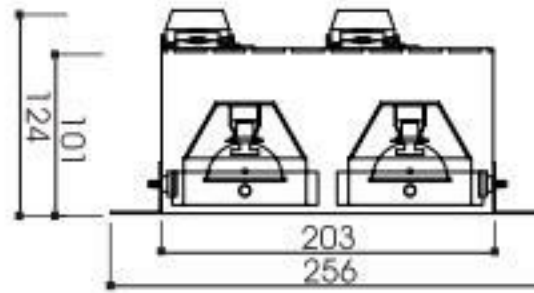
8MR1/FF



105 x 105 MM

REFLECTOR		RECOMMENDED LAMP			RIM	FRAME
FACET DESIGN		LAMP BASE	LAMP TYPE	POWER 240VAC	ALUM. DIE CAST	FREE
REFLECTOR LAMP		1 x GU 5.3	1 x HALOGEN MR16 50 w 12 v	0.19 amp.	WHITE	.
.	.					
.	.					
.	.					

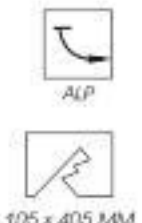
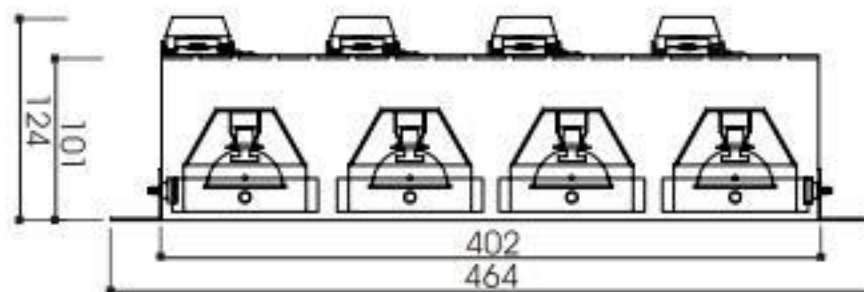
8MR2/FF



105 x 205 MM

REFLECTOR		RECOMMENDED LAMP			RIM	FRAME
FACET DESIGN		LAMP BASE	LAMP TYPE	POWER 240VAC	ALUM. DIE CAST	FREE
REFLECTOR LAMP		2 x GU 5.3	2 x HALOGEN MR16 50 w 12 v	0.38 amp.	WHITE	.
.	.					
.	.					
.	.					

8MR4/FF



105 x 405 MM

REFLECTOR		RECOMMENDED LAMP			RIM	FRAME
FACET DESIGN		LAMP BASE	LAMP TYPE	POWER 240VAC	ALUM. DIE CAST	FREE
REFLECTOR LAMP		4 x GU 5.3	4 x HALOGEN MR16 50 w 12 v	0.76 amp.	WHITE	.
.	.					
.	.					
.	.					

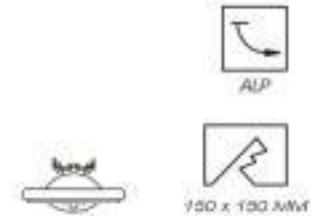
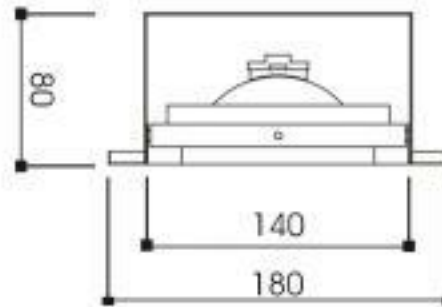


8AR1 . 8AR2 . 8AR3

Class 1 - IP 20

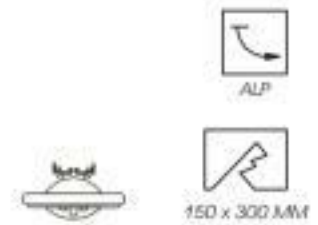
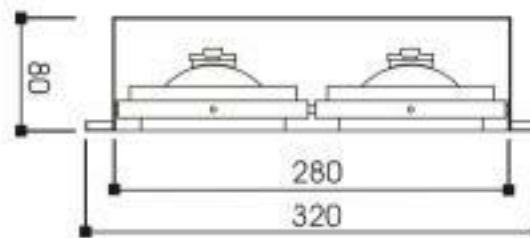
Recessed Square Down Light Adjustable Lamp Position

8AR1



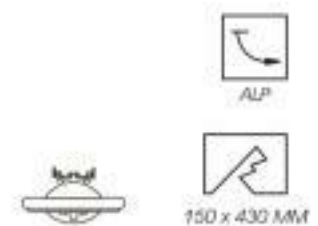
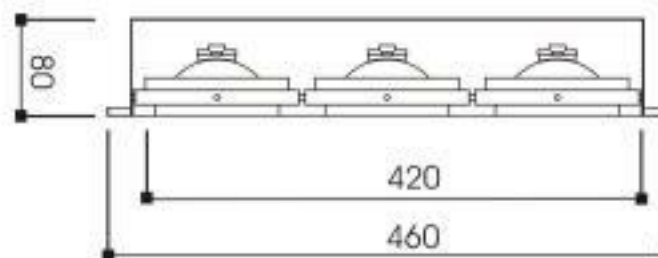
REFLECTOR		RECOMMENDED LAMP			RIM AND FRAME		
FACET DESIGN		LAMP BASE	LAMP TYPE	POWER 240VAC	ALUM. DIE CAST		
REFLECTOR LAMP		1 x G 53	1 x HALOGEN MASTER LINE III 50 w 12 v	0.42 amp.	WHITE	SILVER	BLACK
-	-				-	-	-
-	-				-	-	-
-	-				-	-	-

8AR2



REFLECTOR		RECOMMENDED LAMP			RIM AND FRAME		
FACET DESIGN		LAMP BASE	LAMP TYPE	POWER 240VAC	ALUM. DIE CAST		
REFLECTOR LAMP		2 x G 53	2 x HALOGEN MASTER LINE III 50 w 12 v	0.84 amp.	WHITE	SILVER	BLACK
-	-				-	-	-
-	-				-	-	-
-	-				-	-	-

8AR3



REFLECTOR		RECOMMENDED LAMP			RIM AND FRAME		
FACET DESIGN		LAMP BASE	LAMP TYPE	POWER 240VAC	ALUM. DIE CAST		
REFLECTOR LAMP		3 x G 53	3 x HALOGEN MASTER LINE III 50 w 12 v	1.26 amp.	WHITE	SILVER	BLACK
-	-				-	-	-
-	-				-	-	-
-	-				-	-	-

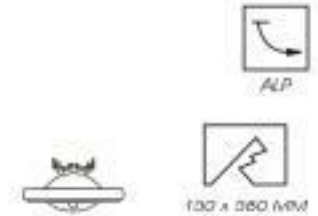
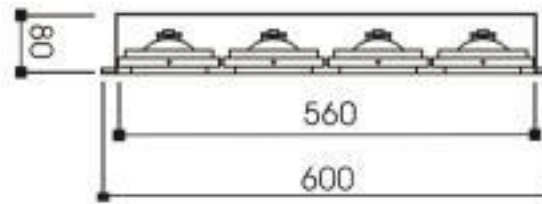
8AR4 . 8AR5

Class 1 - IP 20

Recessed Square Down Light Adjustable Lamp Position

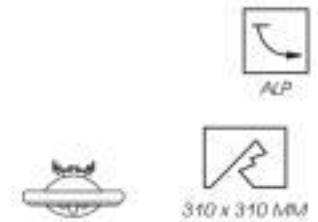
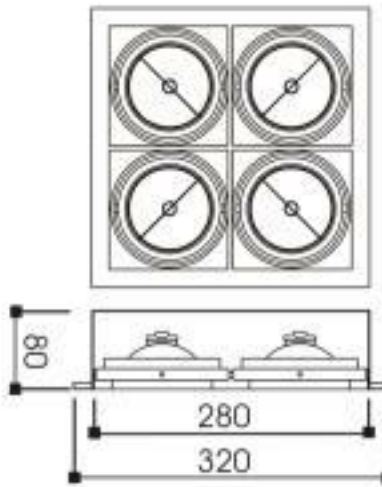


8AR4



REFLECTOR		RECOMMENDED LAMP			RIM AND FRAME		
FACET DESIGN		LAMP BASE	LAMP TYPE	POWER 240VAC	MILD STEEL		
REFLECTOR LAMP		4 x G 53	4 x HALOGEN MASTER LINE III 50 w 12 v	1.68 amp.	WHITE	SILVER	BLACK
.
.
.

8AR5



REFLECTOR		RECOMMENDED LAMP			RIM AND FRAME		
FACET DESIGN		LAMP BASE	LAMP TYPE	POWER 240VAC	MILD STEEL		
REFLECTOR LAMP		4 x G 53	4 x HALOGEN MASTER LINE III 50 w 12 v	1.68 amp.	WHITE	SILVER	BLACK
.
.
.

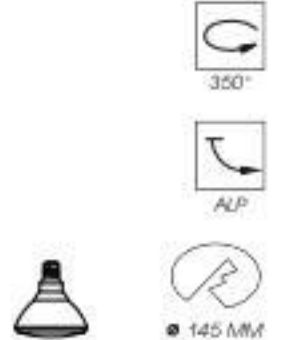
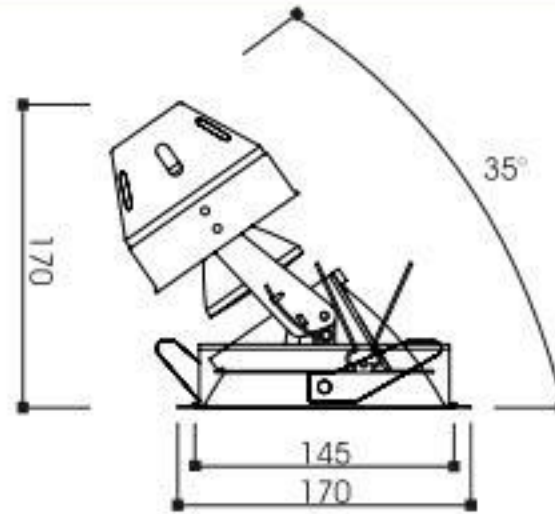


4120 . 4130 . 4138

Class 1 - IP 20

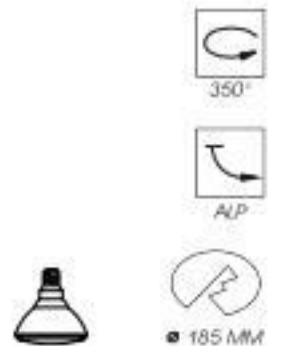
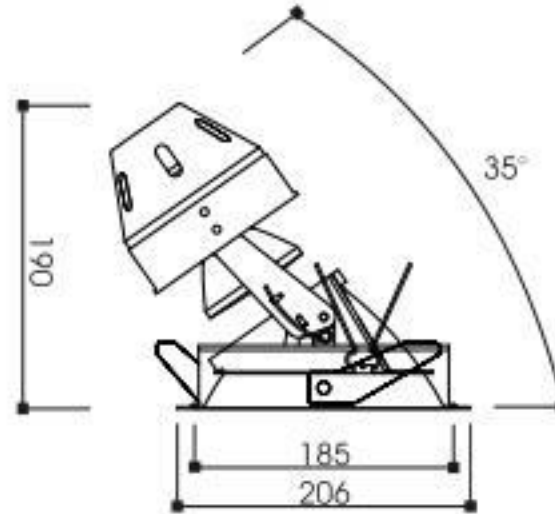
Recessed Wall Washer Adjustable Lamp Position

4120



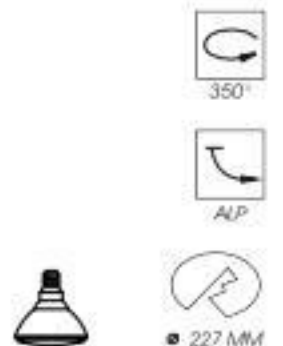
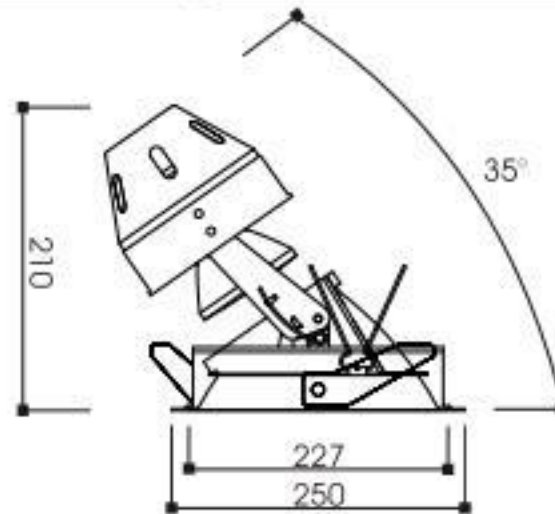
REFLECTOR		RECOMMENDED LAMP			RIM
FACET DESIGN		LAMP BASE	LAMP TYPE	POWER 240VAC	MILD STEEL
PP-A		1 x E27 1 x G805	PAR20 50 w CNH-TC 70 w	0.22 amp. 0.40 amp.	WHITE
.	.				
.	.				
.	.				

4130



REFLECTOR		RECOMMENDED LAMP			RIM
FACET DESIGN		LAMP BASE	LAMP TYPE	POWER 240VAC	MILD STEEL
PP-A		1 x E27 1 x G12	PAR30 75 w CDM-T 150 w	0.42 amp. 1.06 amp.	WHITE
.	.				
.	.				
.	.				

4138



REFLECTOR		RECOMMENDED LAMP			RIM
FACET DESIGN		LAMP BASE	LAMP TYPE	POWER 240VAC	MILD STEEL
PP-A		1 x E27 1 x G12	PAR38 100w CDM-T 150 w	1.06 amp.	WHITE
.	.				
.	.				
.	.				



MODEL

**SPOT TRACK LIGHT . CEILING LIGHT
SUSPENDED LIGHT . WALL LIGHT**

SPOT TRACK LIGHT

67 SN2004 . SN2005 . SN2006

68 SN2007 . SN2008 . SN2009
SN2009S

69 TRACK . CONVERTOR . ADAPTOR

CEILING LIGHT

70 SR 500 . SR501 . SR502 . SG1212

SUSPENDED LIGHT

71 DL30A . DL50

WALL LIGHT

71 SWL006

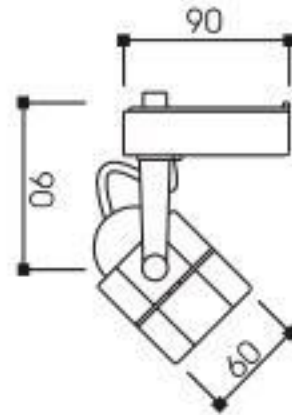


SN2004 . SN2005 . SN2006

Class 1 - IP 20

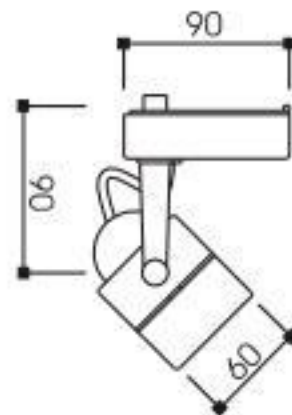
Spot Track Light

SN2004



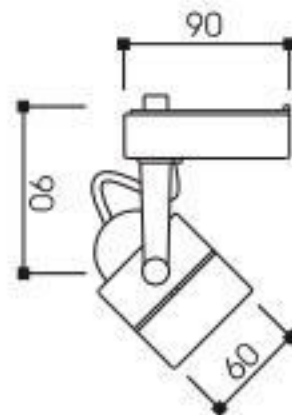
REFLECTOR		RECOMMENDED LAMP			FITTING		ADAPTOR	
FACET DESIGN		LAMP BASE	LAMP TYPE	POWER 240VAC	MILD STEEL	PLASTIC		
REFLECTOR LAMP		1 x GU 5.3	1 x HALOGEN MR16 50 w 12 v	0.19 amp.	WHITE	WHITE	BLACK	
.					.	.	.	
.					.	.	.	
.					.	.	.	
OCTAGON TYPE - ADAPTOR WITH ELECTRONIC CONVERTOR								

SN2005



REFLECTOR		RECOMMENDED LAMP			FITTING		ADAPTOR	
FACET DESIGN		LAMP BASE	LAMP TYPE	POWER 240VAC	MILD STEEL	PLASTIC		
REFLECTOR LAMP		1 x GU 5.3	1 x HALOGEN MR16 50 w 12 v	0.19 amp.	WHITE	WHITE	BLACK	
.					.	.	.	
.					.	.	.	
.					.	.	.	
ROUND TYPE - ADAPTOR WITH ELECTRONIC CONVERTOR								

SN2006



REFLECTOR		RECOMMENDED LAMP			FITTING		ADAPTOR	
FACET DESIGN		LAMP BASE	LAMP TYPE	POWER 240VAC	MILD STEEL	PLASTIC		
REFLECTOR LAMP		1 x GU 5.3	1 x HALOGEN MR16 50 w 12 v	0.19 amp.	WHITE	WHITE	BLACK	
.					.	.	.	
.					.	.	.	
.					.	.	.	
SQUARE TYPE - ADAPTOR WITH ELECTRONIC CONVERTOR								

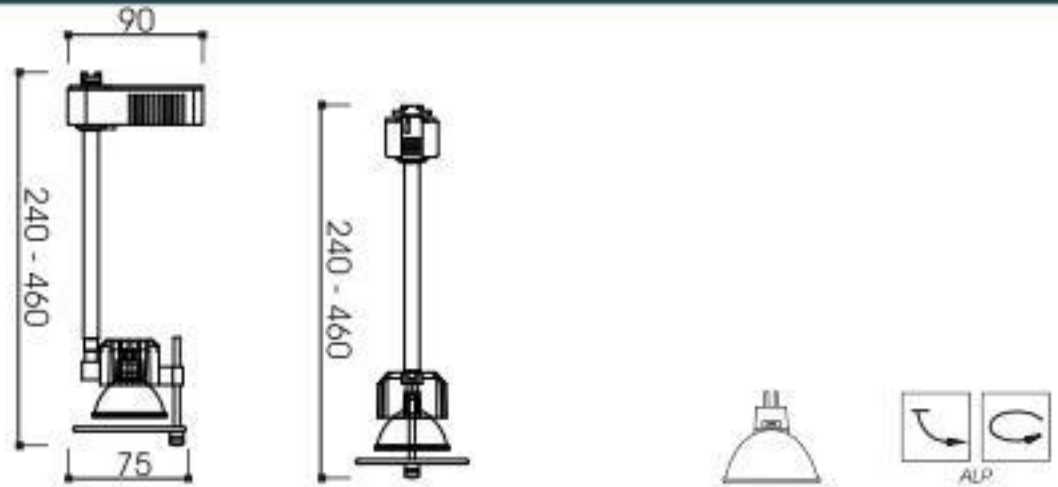
SN2007 . SN2008 .SN2009/SN2009S

Class 1 - IP 20

Spot Track Light

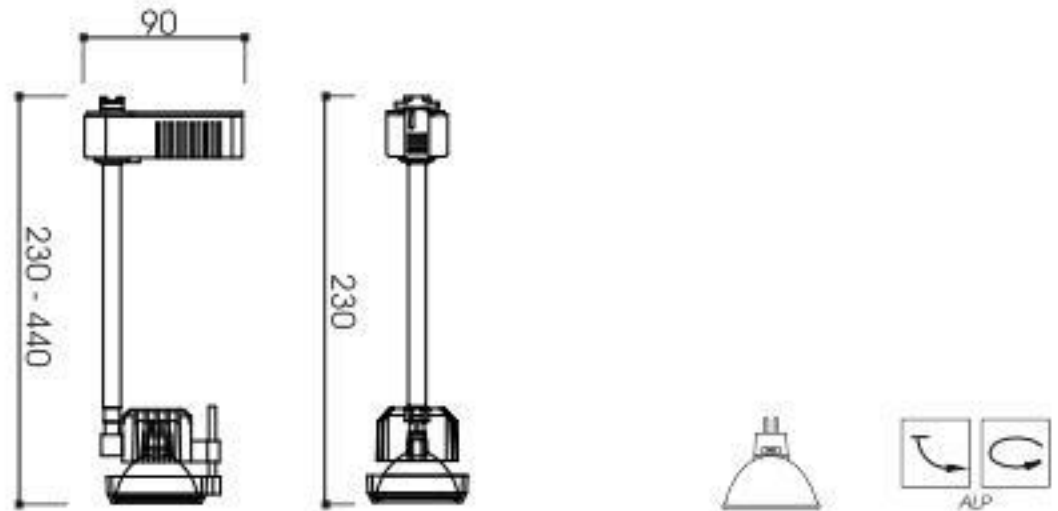


SN2007



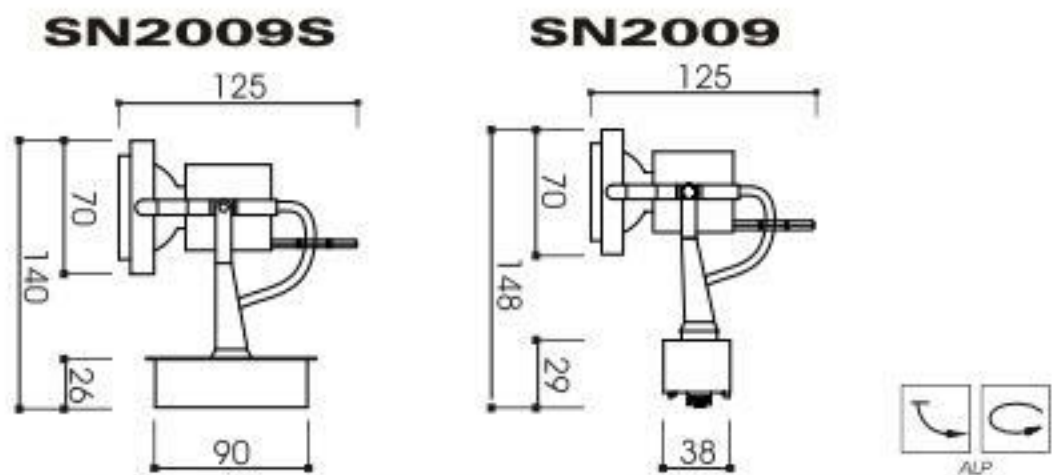
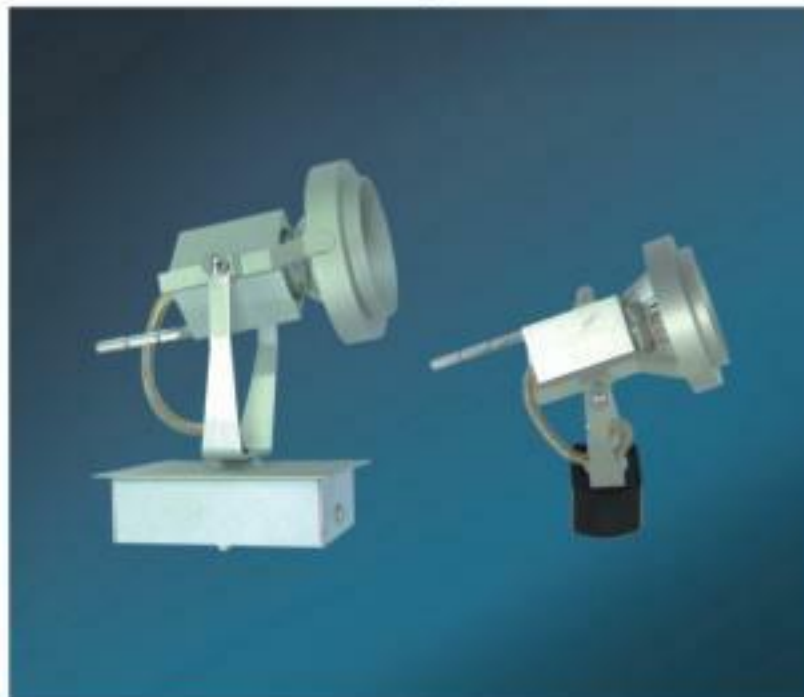
REFLECTOR	RECOMMENDED LAMP			FITTING	ADAPTOR	
FACET DESIGN	LAMP BASE	LAMP TYPE	POWER 240VAC	ALUM. DIE CAST	PLASTIC	
REFLECTOR LAMP	1 x GU 5.3	1 x HALOGEN MR16 50 w 12 v	0.19 amp.	M-WHITE	WHITE	BLACK
				BLACK		
FLOATING GLASS DIFFUSER						

SN2008



REFLECTOR	RECOMMENDED LAMP			FITTING	ADAPTOR	
FACET DESIGN	LAMP BASE	LAMP TYPE	POWER 240VAC	ALUM. DIE CAST	PLASTIC	
REFLECTOR LAMP	1 x GU 5.3	1 x HALOGEN MR16 50 w 12 v	0.19 amp.	M-WHITE	WHITE	BLACK
				BLACK		

SN2009S, SN2009



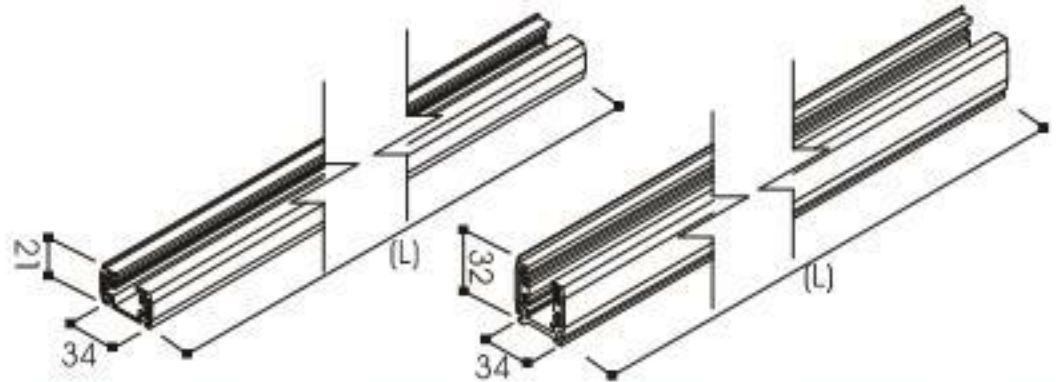
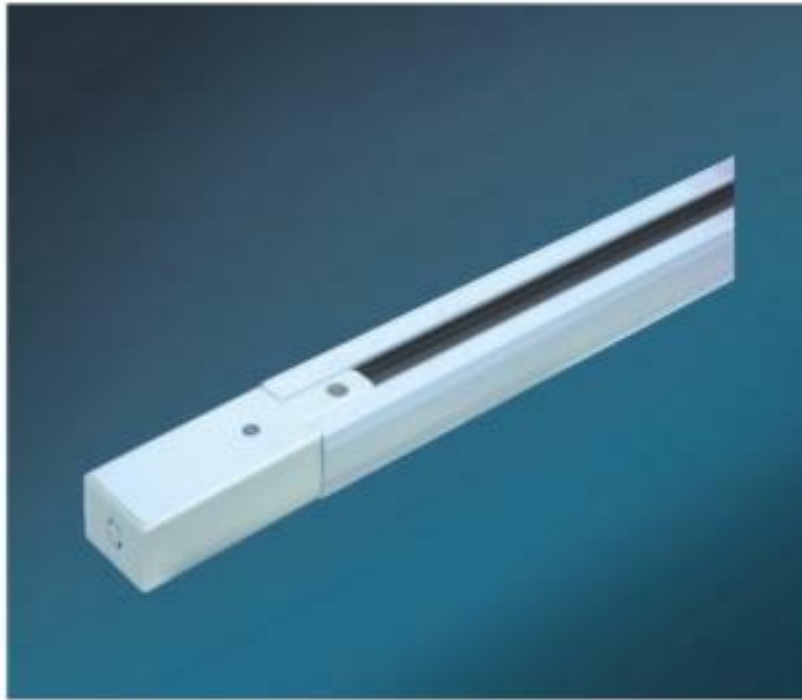
REFLECTOR	RECOMMENDED LAMP			RIM AND BASE
FACET DESIGN	LAMP BASE	LAMP TYPE	POWER 240VAC	SOLID ALUM
REFLECTOR LAMP	1 x GU5-3	1 x HALOGEN MR16 50w 12v	0.19 amp.	NATURAL
MODEL : SN2009 - ADAPTOR FOR TRACK				
REFLECTOR LAMP	1 x GU5-3	1 x HALOGEN MR16 50w 12v	0.19 amp.	NATURAL
MODEL : SN2009S - SEMI RECESSED MOUNTING				
REFLECTOR LAMP	1 x GU5-3	1 x HALOGEN MR16 50w 12v	0.19 amp.	NATURAL



TRACK11/12/13/31/32/33 CONVERTOR T004 . ADAPTOR T005

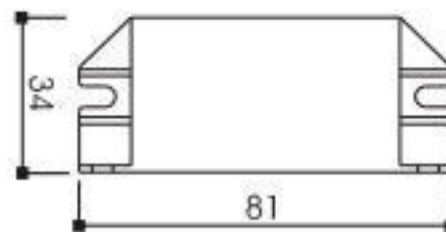
Class 1 - IP 20

TRACK



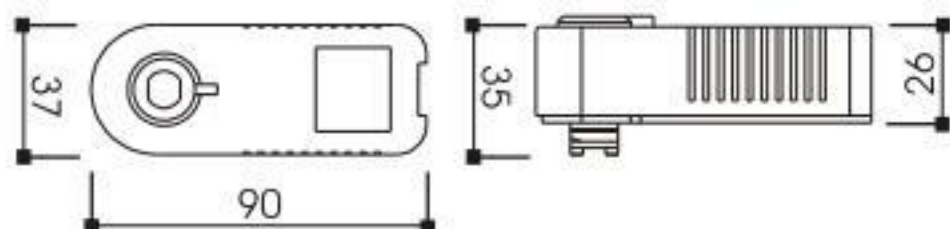
MODEL	DESCRIPTION	HOUSING	
TRACK 11	1 CIRCUIT x 1 METRE LENGTH	ALUM. DIE CAST	
TRACK 12	1 CIRCUIT x 2 METRE LENGTH		
TRACK 13	1 CIRCUIT x 3 METRE LENGTH		
TRACK 31	3 CIRCUIT x 1 METRE LENGTH	WHITE	BLACK
TRACK 32	3 CIRCUIT x 2 METRE LENGTH		
TRACK 33	3 CIRCUIT x 3 METRE LENGTH		
		ONE SIDED CONNECTION CHAMBER	

CONVERTER T004



MODEL	DESCRIPTION	HOUSING	
T004	INPUT : 240 VAC 50/60 HZ 0.25 amp. OUTPUT : 12 VAC 98% PF DAMNABLE	PLASTIC	
		WHITE	BLACK

ADAPTOR T005



MODEL	DESCRIPTION	HOUSING	
T005	INPUT : 240 VAC 50/60 HZ 0.25 amp. OUTPUT : 12 VAC 98% PF DAMNABLE	PLASTIC	
		WHITE	BLACK
ADAPTOR WITH BUILT IN ELECTRONIC CONVERTOR			

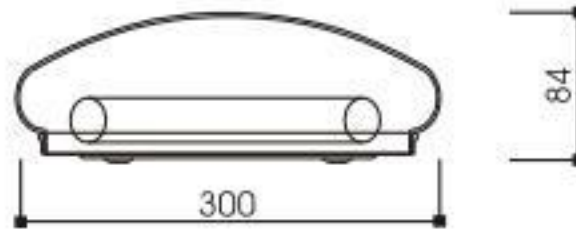
SR500 . SR501 . SR502 . SG1212

Class 1 - IP 20

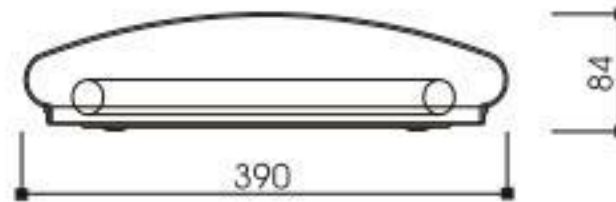
Ceiling Light



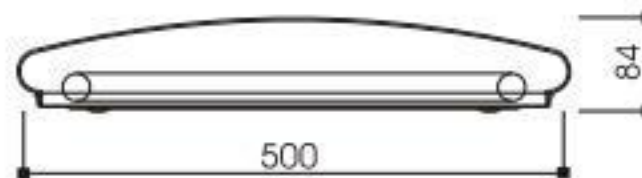
**SR500
SR501
SR502**



SR500



SR501

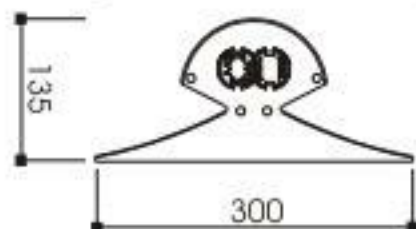
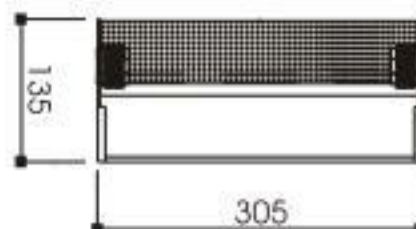


SR502



RECOMMENDED LAMP			BASE PLATE	DIFFUSER
LAMP BASE	LAMP TYPE	POWER 240VAC	MILD STEEL	ACRYLIC
MODEL : SR500				
1 x G 10 q	1 x 22 w CIRCULAR LAMP T8	0.31 amp.	WHITE	OPAL
2 x G 24 d	2 x PLC 18 w	0.48 amp.		
MODEL : SR501				
1 x G 10 q	1 x 32 w CIRCULAR LAMP T8	0.31 amp.	WHITE	OPAL
MODEL : SR502				
1 x G 10 q	1 x 40 w CIRCULAR LAMP T8	0.33 amp.	WHITE	OPAL

SG1212



RECOMMENDED LAMP			BASE PLATE	DIFFUSER
LAMP BASE	LAMP TYPE	POWER 240VAC	MILD STEEL	PERFORATED MILD STEEL
2 x G 24 d	2 x PLC 26 w	0.62 amp.	WHITE	WHITE
2 x G 24 q	2 x PLT 42 w	0.40 amp.		

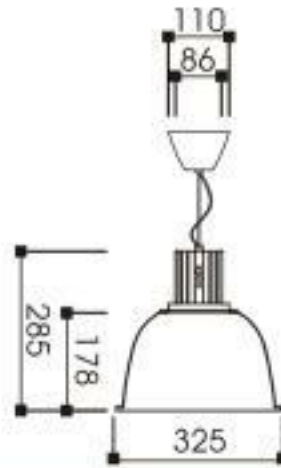


DL30A . DL50 . SWL006

Class 1 - IP 20

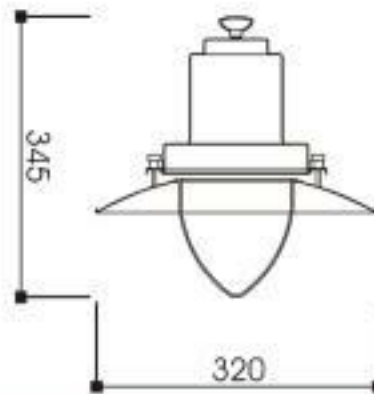
Suspended Light , Wall Light

DL30A



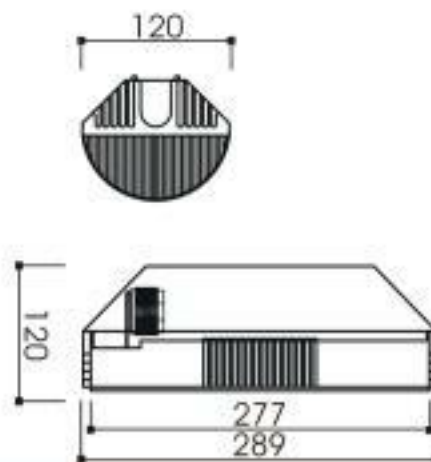
RECOMMENDED LAMP			GEAR BOX	REFLECTOR	VISOR OPTIONAL
LAMP BASE	LAMP TYPE	POWER 240VAC	ALUM. DIE CAST	POLY-CARBONATE	POLY-CARBONATE
1 x E 27	1 x PLCE 23 w	0.09 amp.	SILVER GREY	STRIPE/TRANSPARENT	STRIPE/TRANSPARENT

DL50



RECOMMENDED LAMP			GEAR BOX	REFLECTOR	DIFFUSER
LAMP BASE	LAMP TYPE	POWER 240VAC	ALUMINUM	ALUMINUM	POLY-CARBONATE
1 x E 27	1 x PLCE 23 w	0.09 amp.	CHROME-MATT SATIN	CHROME-MATT SATIN	CLEAR

SWL006



RECOMMENDED LAMP			HOUSING	DIFFUSER
LAMP BASE	LAMP TYPE	POWER 240VAC	ALUM. DIE CAST	ACRYLIC
1 x G 23 1 x G 24 d	1 x PLC II w 1 x PLC 26 w	0.18 amp. 0.31 amp.	M.WHITE M.BLACK	LINEAR CLEAR



MODEL *YLI*

SURFACE DOWN LIGHT

73 3400 . 3700 . 3701

74 3800 . 3801

75 3804 . 3805 . 3806

76 3110 . 3111 . 3112

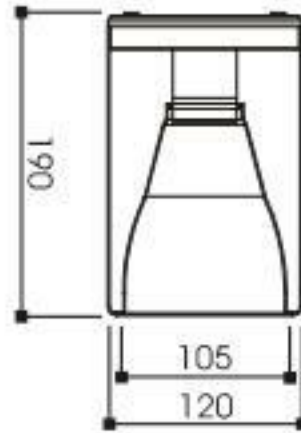


3400 . 3700 . 3701

Class 1 - IP 20

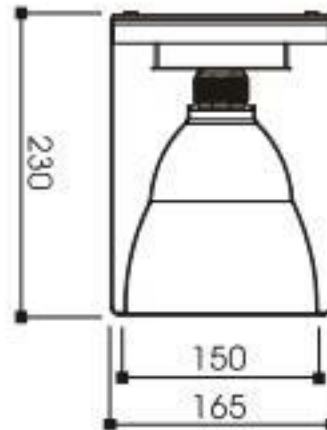
Surface Down Light

3400



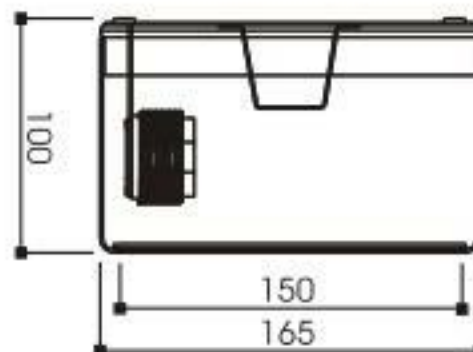
REFLECTOR		RECOMMENDED LAMP			RIM		
FACET DESIGN		LAMP BASE	LAMP TYPE	POWER 240VAC			
PP-A	PL-A	1 x G 24 d 1 x E 27	1 x PLC 13 w	0.19 amp.	•	•	•
FF-A	FSP-A		1 x PLCE 8 w	0.04 amp.	•	•	•
TP-A	BT-V					•	•

3700



REFLECTOR		RECOMMENDED LAMP			RIM		
FACET DESIGN		LAMP BASE	LAMP TYPE	POWER 240VAC			
FF-A	PP-A	1 x G 24 d 1 x E 27	1 x PLC 18 w	0.24 amp.	•	•	•
•	•		1 x PLCE 14 w	0.06 amp.	•	•	•
•	•					•	•

3701



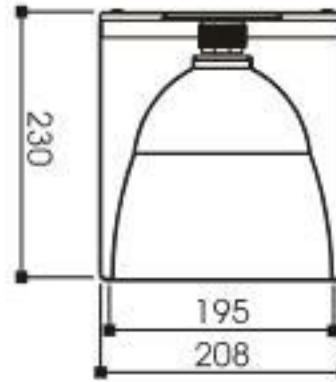
REFLECTOR		RECOMMENDED LAMP			RIM		
FACET DESIGN		LAMP BASE	LAMP TYPE	POWER 240VAC			
•	•	1 x G 24 d 1 x E 27	1 x PLC 18 w	0.48 amp.	•	•	•
•	•		1 x PLCE 14 w	0.12 amp.	•	•	•
•	•					•	•

FROSTED GLASS DIFFUSER

3800 . 3801
Class 1 - IP 20
 Surface Down Light



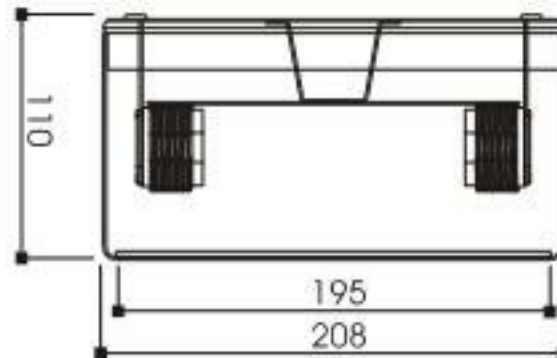
3800



VERTICAL LAMP POSITION

REFLECTOR		RECOMMENDED LAMP			RIM		
FACET DESIGN		LAMP BASE	LAMP TYPE	POWER 240VAC			
PP-A	FF-A	2 x G 24 d 1 x E 27	2 x PLC 26 w 1 x PLCE 23 w	0.62 amp. 0.09 amp.			
.	.						
.	.						
.	.						

3801



HORIZONTAL LAMP POSITION

REFLECTOR		RECOMMENDED LAMP			RIM		
FACET DESIGN		LAMP BASE	LAMP TYPE	POWER 240VAC			
.	.	2 x G 24 d 1 x E 27	2 x PLC 18 w 1 x PLCE 23 w	0.48 amp. 0.09 amp.			
.	.						
.	.						
.	.						

FROSTED GLASS DIFFUSER

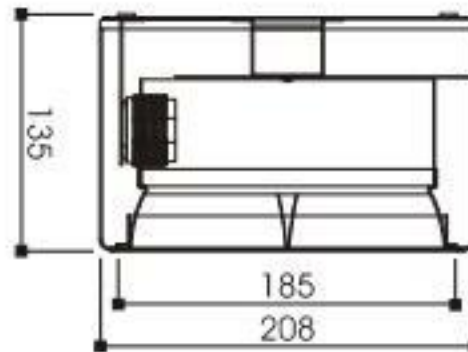


3804 . 3805 . 3806

Class 1 - IP 20

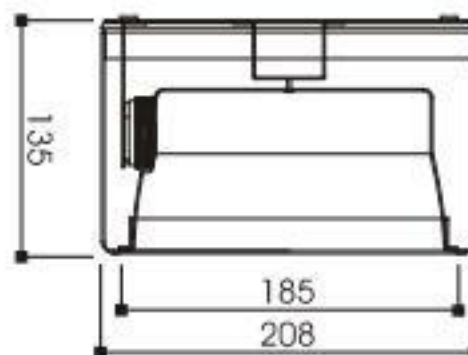
Surface Down Light

3804



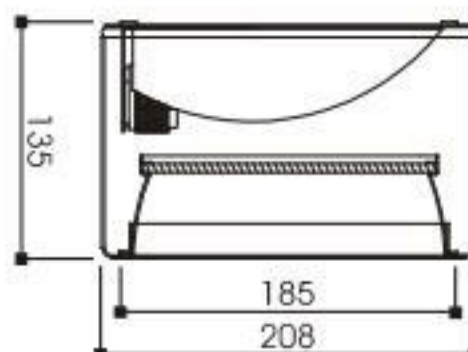
REFLECTOR		RECOMMENDED LAMP			RIM		
FACET DESIGN		LAMP BASE	LAMP TYPE	POWER 240VAC			
PP-A	R-A	2 x G 24 d 1 x E 27	2 x PLC 18 w 1 x PLCE 23 w	0.48 amp. 0.09 amp.			
.
.
.
MIRROR LOUVER							

3805



REFLECTOR		RECOMMENDED LAMP			RIM		
FACET DESIGN		LAMP BASE	LAMP TYPE	POWER 240VAC			
PP-A	.	2 x G 24 d 1 x E 27	2 x PLC 18 w 1 x PLCE 23 w	0.48 amp. 0.09 amp.			
.
.
.

3806

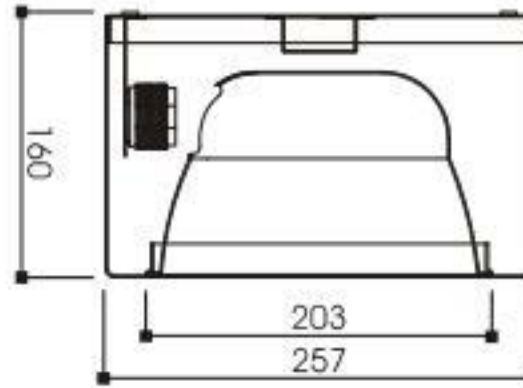


REFLECTOR		RECOMMENDED LAMP			RIM		
FACET DESIGN		LAMP BASE	LAMP TYPE	POWER 240VAC			
Q-58-P	Q-58-R	2 x G 24 d 1 x E 27	2 x PLC 18 w 1 x PLCE 23 w	0.48 amp. 0.09 amp.			
.
.
.
FROSTED GLASS DIFFUSER							

3110 . 3111 . 3112
 Class 1 - IP 20 Class 1 - IP 20
 Surface Down Light

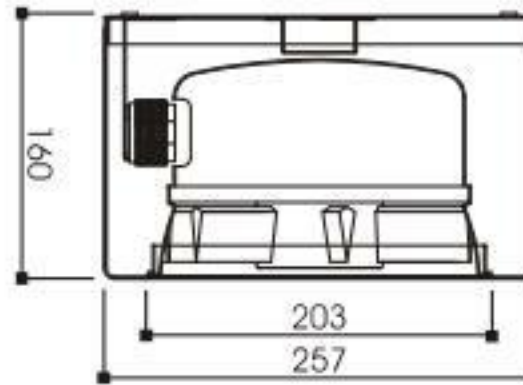


3110



REFLECTOR		RECOMMENDED LAMP			RIM		
FACET DESIGN		LAMP BASE	LAMP TYPE	POWER 240VAC			
PP-A	RP-A	2 x G 24 d 1 x E 27	2 x PLC 26 w 1 x PLCE 23 w	0.62 amp. 0.09 amp.			
FF-A	EP-A						
.	.						
.	.						

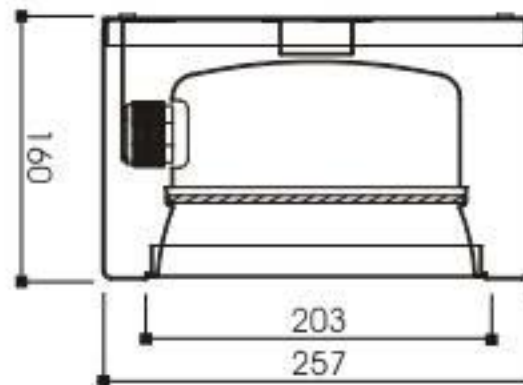
3111



REFLECTOR		RECOMMENDED LAMP			RIM		
FACET DESIGN		LAMP BASE	LAMP TYPE	POWER 240VAC			
Q-60-P6	Q-60-R6	2 x G 24 d 1 x E 27	2 x PLC 26 w 1 x PLCE 23 w	0.62 amp. 0.09 amp.			
.	.						
.	.						
.	.						

MIRROR LOUVER

3112



REFLECTOR		RECOMMENDED LAMP			RIM		
FACET DESIGN		LAMP BASE	LAMP TYPE	POWER 240VAC			
Q-55-P	Q-55-R	2 x G 24 d 1 x E 27	2 x PLC 26 w 1 x PLCE 23 w	0.62 amp. 0.09 amp.			
.	.						
.	.						
.	.						

FROSTED GLASS DIFFUSER



TOSHIBA

Compact Fluorescent Lamps

FPL - G/FDL - G BUILT IN STARTER TYPE

FPL- G/FDL - G lamps have a two pin base with a built in starter. It's compact design & 8,000 hours long life offers flexibility of lighting fixture design.

LAMP WITH 4 PIN BASE IS AVAILABLE



Product Order Code	Colour Temperature(K)	Watts (W)	Bulb Dia (mm)	Dimensions		Base	Initial Lumens(lm)	Average Life(h)	Std. Pkg. Qty	Colour Rendering Index(Ra)	Colour Description
				Bulb Dia(mm)	Bulb Length(mm)						
FPL-G 7W / 27	2,700	7	12	27	112	G23	400	8,000	50	84	3-Band Warm White
FPL-G 7W / 40	4,000	7	12	27	112	G23	400	8,000	50	84	3-Band Cool White
FPL-G 7W / 65	6,500	7	12	27	112	G23	360	8,000	50	84	3-Band Daylight
FPL-G 9W / 27	2,700	9	12	27	136	G23	580	8,000	50	84	3-Band Warm White
FPL-G 9W / 40	4,000	9	12	27	136	G23	580	8,000	50	84	3-Band Cool White
FPL-G 9W / 65	6,500	9	12	27	136	G23	540	8,000	50	84	3-Band Daylight
FPL-G 11W / 27	2,700	11	12	27	213	G23	900	8,000	50	84	3-Band Warm White
FPL-G 11W / 40	4,000	11	12	27	213	G23	900	8,000	50	84	3-Band Cool White
FPL-G 11W / 65	6,500	11	12	27	213	G23	820	8,000	50	84	3-Band Daylight



Product Order Code	Colour Temperature(K)	Watts (W)	Bulb Dia (mm)	Dimensions		Base	Initial Lumens(lm)	Average Life(h)	Std. Pkg. Qty	Colour Rendering Index(Ra)	Colour Description
				Bulb Dia(mm)	Bulb Length(mm)						
FDL-G 10W / 27	2,700	10	12	27	93	G24d-1	600	8,000	50	84	3-Band Warm White
FDL-G 10W / 40	4,000	10	12	27	93	G24d-1	600	8,000	50	84	3-Band Cool White
FDL-G 10W / 65	6,500	10	12	27	93	G24d-1	560	8,000	50	84	3-Band Daylight
FDL-G 13W / 27	2,700	13	12	27	113	G24d-1	900	8,000	50	84	3-Band Warm White
FDL-G 13W / 40	4,000	13	12	27	113	G24d-1	900	8,000	50	84	3-Band Cool White
FDL-G 13W / 65	6,500	13	12	27	113	G24d-1	840	8,000	50	84	3-Band Daylight
FDL-G 18W / 27	2,700	18	12	27	129	G24d-2	1,200	8,000	50	84	3-Band Warm White
FDL-G 18W / 40	4,000	18	12	27	129	G24d-2	1,200	8,000	50	84	3-Band Cool White
FDL-G 18W / 65	6,500	18	12	27	129	G24d-2	1,120	8,000	50	84	3-Band Daylight
FDL-G 26W / 27	2,700	26	12	27	147	G24d-3	1,780	8,000	50	84	3-Band Warm White
FDL-G 26W / 30	3,000	26	12	27	147	G24d-3	1,780	8,000	50	84	3-Band Warm White-3000K
FDL-G 26W / 40	4,000	26	12	27	147	G24d-3	1,780	8,000	50	84	3-Band Cool White
FDL-G 26W / 65	6,500	26	12	27	147	G24d-3	1,680	8,000	50	84	3-Band Daylight

CONVERSION TABLE OF LAMP BASE

OTHER	PL-S	PL-C	PL-C	PL-C	PL-CE
TOSHIBA	FPL-G 7-9-11 W	FDL-G 10-13 W	FDL-G 18 W	FDL-G 26 W	EFS EFD
LAMP BASE	G 23	G 24d 1	G 24d 2	G 24d 3	E 27

TOSHIBA

Compact Fluorescent Lamps



NEOBALL-E

TOSHIBA NEOBALL-E offers very energy saving for electronic ballast.

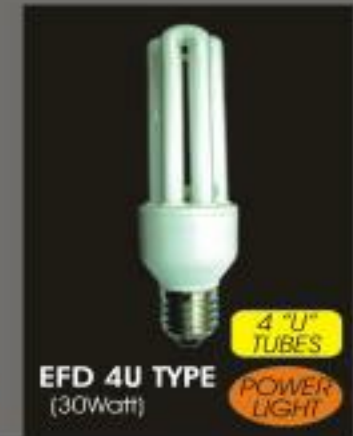
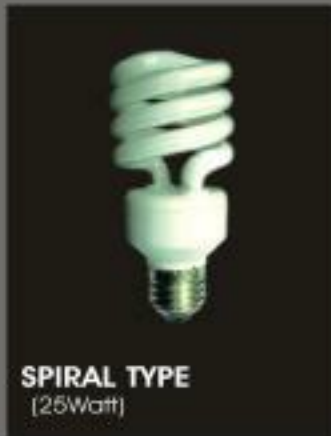
- Only 1/4 the energy cost
- 6 time the service life
- Turns on instantaneously
- Slimmer design than globe bulbs
- Various standard bases are available for perfect, easy fit.



Warm White Color Temperature 2,700K



Daylight Color Temperature 6,500K



200-240V E27 GLOBE TYPE

Product Order Code	Lamp shape	Colour Temperature(K)	Watts (W)	Bulb Dia.(mm)	Overall Length(mm)	Base	Supply Voltage(V)	Frequency (Hz)	Initial Lumens	Average Life(h)	Std.Pkg Q'ty	Colour Rendering Index(Ra)	Colour Description
EFG 21L / 27-E		2,700	21	90	145	E27	200-240	50/60	1,200	6,000	10	84	3-Band Warm White
EFG 21D/ 65-E		6,500	21	90	145	E27	200-240	50/60	1,100	6,000	10	84	3-Band Daylight

200-240V E27 SPIRAL TYPE

Product Order Code	Lamp shape	Colour Temperature(K)	Watts (W)	Bulb Dia.(mm)	Overall Length(mm)	Base	Supply Voltage(V)	Frequency (Hz)	Initial Lumens	Average Life(h)	Std.Pkg Q'ty	Colour Rendering Index(Ra)	Colour Description
EFS 15L / 27 E27		2,700	15	48	104	E27	200-240	50/60	1,000	6,000	20	84	3-Band Warm White
EFS 15D/ 65 E27		6,500	15	48	104	E27	200-240	50/60	950	6,000	20	84	3-Band Daylight
EFS 25L / 27 E27		2,700	25	55	122	E27	200-240	50/60	1,550	6,000	20	84	3-Band Warm White
EFS 25D/ 65 E27		6,500	25	55	122	E27	200-240	50/60	1,450	6,000	20	84	3-Band Daylight

200-240V E27 TYPE

Product Order Code	Lamp shape	Colour Temperature(K)	Watts (W)	Bulb Dia.(mm)	Overall Length(mm)	Base	Supply Voltage(V)	Frequency (Hz)	Initial Lumens	Average Life(h)	Std.Pkg Q'ty	Colour Rendering Index(Ra)	Colour Description	
EFD 9L / 27-E3U		2,700	9	45	125	E27	200-240	50/60	560	6,000	20	84	3-Band Warm White	
EFD 9D/ 65-E3U		6,500	9	45	125	E27	200-240	50/60	510	6,000	20	84	3-Band Daylight	
EFD 11L / 27-E3U		2,700	11	45	130	E27	200-240	50/60	750	6,000	20	84	3-Band Warm White	
EFD 11D/ 65-E3U		6,500	11	45	130	E27	200-240	50/60	680	6,000	20	84	3-Band Daylight	
EFD 13L / 27-E3U		2,700	13	45	135	E27	200-240	50/60	810	6,000	20	84	3-Band Warm White	
EFD 13D/ 65-E3U		6,500	13	45	135	E27	200-240	50/60	710	6,000	20	84	3-Band Daylight	
EFD 18L / 27-E3U		2,700	18	45	145	E27	200-240	50/60	1,100	6,000	20	84	3-Band Warm White	
EFD 18D/ 65-E3U		6,500	18	45	145	E27	200-240	50/60	1,000	6,000	20	84	3-Band Daylight	
EFD 24L / 27-E3U		POWER LIGHT	2,700	24	48	168	E27	200-240	50/60	1,540	6,000	20	84	3-Band Warm White
EFD 24D/ 65-E3U		POWER LIGHT	6,500	24	48	168	E27	200-240	50/60	1,480	6,000	20	84	3-Band Daylight
EFD 30L / 27-E4U		4 "U" TUBES POWER LIGHT	2,700	30	54	170	E27	200-240	50/60	1,800	6,000	20	84	3-Band Warm White
EFD 30D/ 65-E4U		4 "U" TUBES POWER LIGHT	6,500	30	54	170	E27	200-240	50/60	1,700	6,000	20	84	3-Band Daylight

