

**T8 LED Weatherproof Fitting**

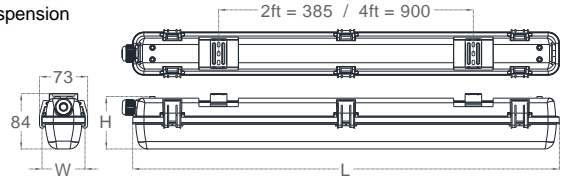
**Model: OS YWP 1x600mm / OS YWP 1x1200mm**



Stainless Steel Hanger Kit For Suspension or Surface Ceiling Mounted

**Specifications & Technical Data**

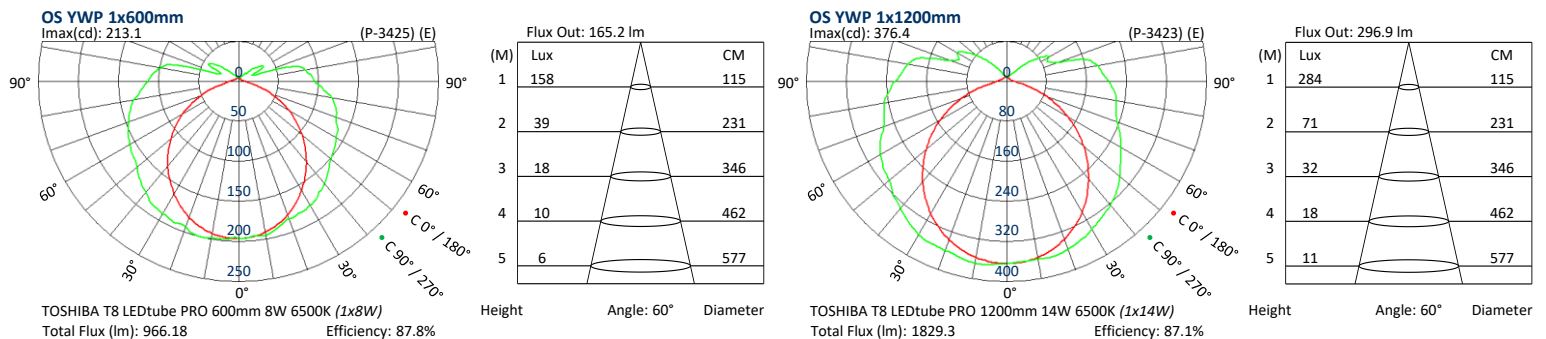
- Base is Moulded From **Polycarbonate** Resin in Grey (V-2)
  - Diffuser by **Polycarbonate** Resin in Linear (V-2)
  - Sealed With Silicone Gasket
  - Gear Tray is Fabricated From Mild Steel
  - Stove-Coated With High Reflectivity White Epoxy
  - Lampholder of Polycarbonate & Bronze
  - Twist-Lock Lampholder For Reliable Contact
  - Pre-Connected With 105°C HR PVC Wire
  - Connecting Devices of Nylon 3 Way x 2.5mm<sup>2</sup>
  - Snap-On With Polycarbonate Clips
  - Cable Gland Entry & Hanger Kit
  - Degree of Protection: **IP66**
  - Type of Protection: Class 1
  - Mounting Method: Surface Ceiling / Wall / Suspension
- Optional:**  
**VITALITE VECK 18/T8 LED or VEL 120/ECK**  
**3 Hours Duration Emergency Powerpack**



Model	Luminaires					Dimension - mm			Current (A)	P.F. (λ)
	No. of Lamp	Power	Diffuser	Beam Angle	Base	L	W	H	± 5 %	>
OS YWP 1x600mm	1	1 x 8W	Polycarbonate	160°	G13	645	65	80	0.035	> 0.90
OS YWP 1x1200mm	1	1 x 14W	Polycarbonate	160°	G13	1255	65	80	0.06	> 0.90

Lamp (AC Input 100-240V, 50/60Hz, Athd < 15%)												
Brand	Code	Type	Base	Lumens (lm)	Power (W)	CCT (K)	CRI (Ra)	SDCM	Current	P.F.	Lifespan (Hrs)	
TOSHIBA	T8 LEDtube PRO 600mm 8W 4000K (RLDL0282C0840G1EX1)	T8 LED	G13	1100lm	8W	4000K	≥ 80Ra	≤ 6	0.035	> 0.9	50000Hrs	
TOSHIBA	T8 LEDtube PRO 600mm 8W 6500K (RLDL0282C0865G1EX1)	T8 LED	G13	1100lm	8W	6500K	≥ 80Ra	≤ 6	0.035	> 0.9	50000Hrs	
TOSHIBA	T8 LEDtube PRO 1200mm 14W 4000K (RLDL0284C1440G1EX1)	T8 LED	G13	2100lm	14W	4000K	≥ 80Ra	≤ 6	0.06	> 0.9	50000Hrs	
TOSHIBA	T8 LEDtube PRO 1200mm 14W 6500K (RLDL0284C1465G1EX1)	T8 LED	G13	2100lm	14W	6500K	≥ 80Ra	≤ 6	0.06	> 0.9	50000Hrs	

**Photometric Data**



Date: 28 August 2024