



YLI

YLI INDUSTRY SDN. BHD. (504654-U)

Ultimate Lighting Experience

Tel: +60-5-366 5227 (Hunting Line), 366 4227, 366 8227, 366 9227 Fax: +60-5-365 1227, 366 1227

Email: info@yli-ind.com.my

Website: www.yli-ind.com.my

Technical Data

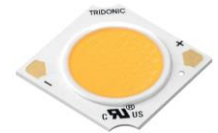
OASIS TR 08 SERIES LED TRACK SPOTLIGHT

MODEL: OS TR 408



powered by

TRIDONIC



TRIDONIC LED COB

Specifications & Technical Data

Luminaires:

- Polycarbonate Ring
- Die Cast Aluminium Body
- Electrostatically Polyester Powder Coated
- Polycarbonate Gear Box & Track Adaptor
- Adjustable Lamp Position
- Track Mounted (*OS Track 11 / 12 / 13*)

Areas of Application:

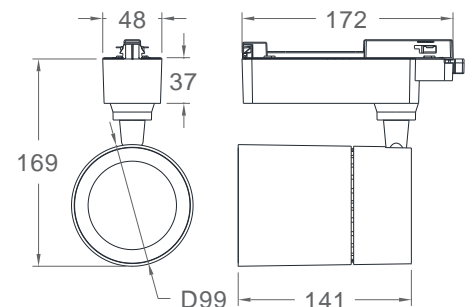
- Home, Hospitality, Hotels, Retail,
- Supermarkets, Restaurants,
- Shop Lighting, Museums, Galleries
- Public & Commercial Building

CCT (K):

- 3000K
- 4000K

Colour:

- Black Texture
- White Texture



Model	System Lumens (lm)	System Power (W)	System Current (A)	Beam Angle (°)	TRIDONIC Module (50Khrs) SLE G7 ADV (DC)	TRIDONIC LED Driver (50Khrs) (AC 220-240V, 50/60Hz, PF 0.90)
OS TR 408	3800lm	30W	0.13A	30°	SLE G7 15mm 4000lm 8xx R ADV <i>(800mA)</i>	LC 35W 500-800mA flexC SC ADV <i>(Short Circuit Set to 800mA)</i>

Date: 30 July 2024

Max. Operating Temperature at ta 0°C to +30°C

YLI INDUSTRY SDN. BHD. Reserves the rights to alternate the specification of its product at any time without prior notice.