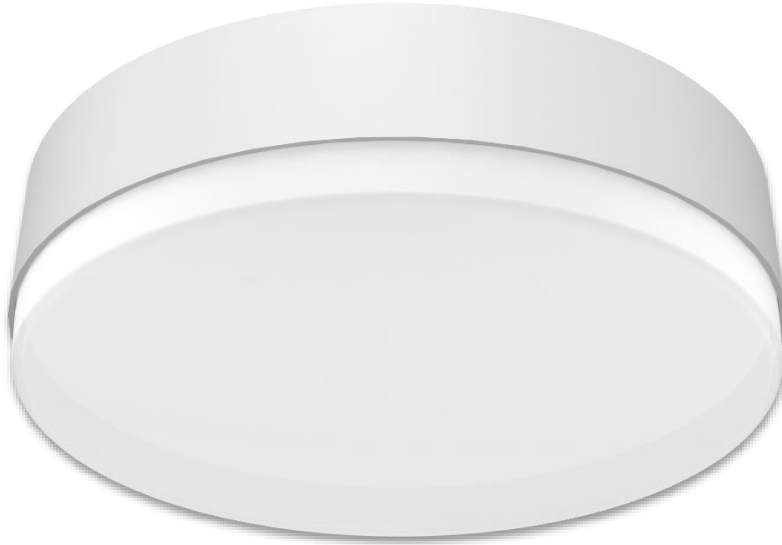


OASIS SR 04 SERIES SURFACE ROUND LED DOWNLIGHT

MODEL: OS SR 804



Specifications & Technical Data

Luminaires:

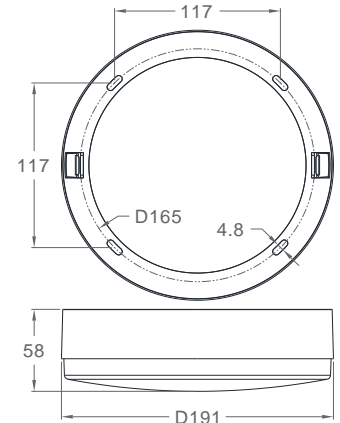
- Polycarbonate Surface Housing
- Polycarbonate Opal Diffuser
- Mild Steel Inner Plate
- Electrostatically Polyester Powder Coated
- Stainless Steel Spring Clip
- Flex & Nylon Connecting Devices
- Surface Ceiling Mounted

Areas of Application:

- Home, Hospitality, Hotels, Offices,
- Retail, Supermarkets, Restaurants,
- Public & Commercial Building

Replace:

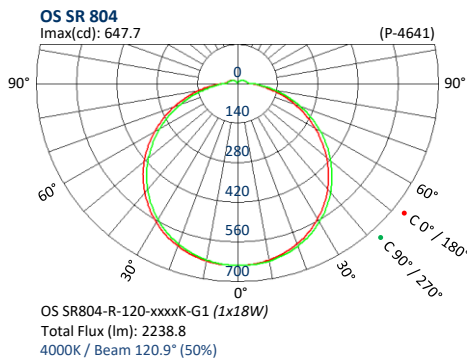
2x26W CFL Downlight & Save Over 50% on Energy



Model	System Lumens (lm)	System Power (W)	System Current (A)	OS LED Modules (DC)	VITALITE LED Driver (AC 220~240V, 50/60Hz, PF 0.90)
OS SR 804	2200lm	20W	0.09A	OS SR804-R-120-xxxxK-G1	VLD 25/500/50

OS LED Modules (DC)	Current (mA)	Luminous Flux (lm)	Power (W)	Voltage (V)	CCT (K)	CRI (Ra)	SDCM	Max. Temp. at tc (°C)	Lifespan (Hrs)
OS SR804-R-120-xxxxK-G1 (SMD 2835 12C10B)	500mA	2880lm	18W	36V	3000K 4000K 6500K	≥ 80	≤ 5	85°C	50000Hrs

Photometric Data



Flux Out: 509.0 lm

Height (M)	Lux	CM
1	486	115
2	122	231
3	54	346
4	30	462
5	19	577

Height Angle: 60° Diameter