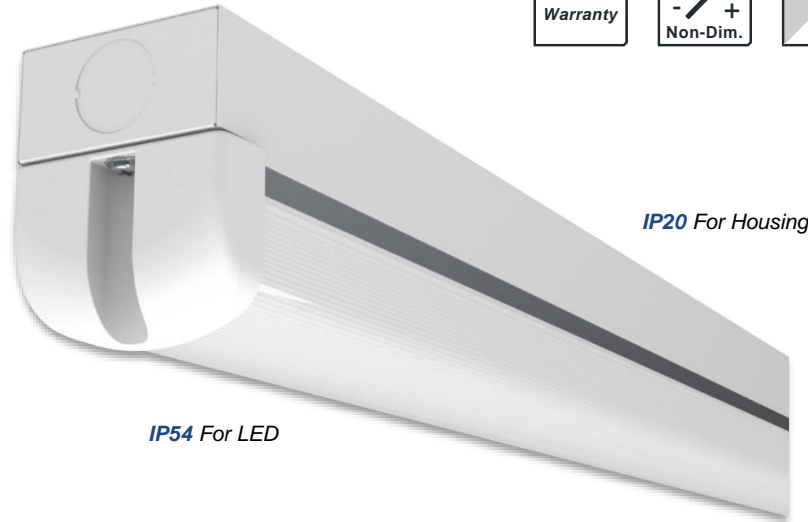


OASIS D /OL REEDED DIFFUSER SERIES LED BATTEN FITTING

MODEL: OS D2-1/OL



Specifications & Technical Data

Luminaires:

- Housing is Fabricated From Mild Steel (T0.5mm)
- Stove-Coated With High Reflective White Epoxy
- Inner Base is Extruded From Aluminium
- Polycarbonate Reeded Diffuser (Opal & Linear)
- Polycarbonate White End Cap
- Nylon Connecting Devices
- Pre-Connected With PVC Cable
- Surface Ceiling / Wall Mounted or Suspension

Areas of Application:

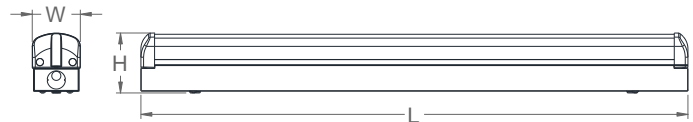
- Home, Hospitality, Hotels, Offices,
- Retail, Supermarkets, Restaurants,
- Public & Commercial Building

Optional:

-

Equivalent:

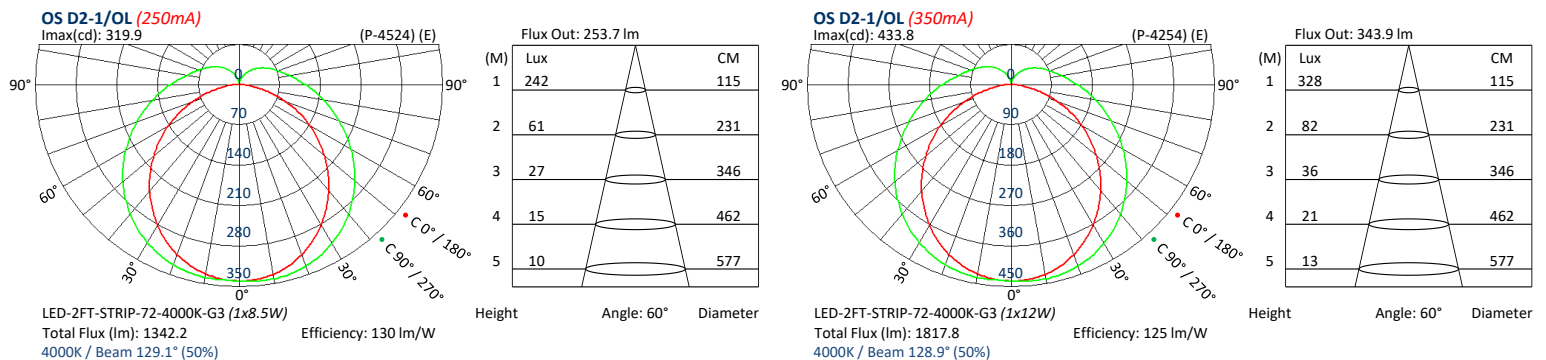
- Equiv. to 1x18W / 2x18W T8 FL
- Over 50% Energy Saving



Model	System Lumens (lm)	System Power (W)	System Current (A)	Beam Angle (°)	LED Strip Module (DC)	VITALITE LED Driver (AC 220-240V, 50/60Hz, PF 0.50)	Dimension (mm)		
							L	W	H
OS D2-1/OL	1300lm	10W	0.09A	130°	1 x LED-2FT-STRIP-72-xxxxK-G3	1 x VLD 10/250/40	600	53	66
	1800lm	15W	0.12A	130°	1 x LED-2FT-STRIP-72-xxxxK-G3	1 x VLD 15/350/43	600	53	66

LED Strip Module (DC)	Current (mA)	Luminous Flux (lm)	Power (W)	Voltage (V)	CCT (K)	CRI (Ra)	SDCM	Max. Temp. at tc (°C)	Lifespan (Hrs)		
LED-2FT-STRIP-72-xxxxK-G3 (SMD 2835 12C6B)	250mA	1500lm	8.5W	33.5V	3000K	4000K	6500K	≥ 80	≤ 5	85°C	50000Hrs
	350mA	2000lm	12W	34.5V	3000K	4000K	6500K	≥ 80	≤ 5	85°C	50000Hrs

Photometric Data



Date: 03 April 2024