

OASIS 24 SERIES RECESSED ROUND LED DOWNLIGHT

MODEL: OS 224-GU10 Series



OS 224-GU10-1



OS 224-GU10-2



OS 224-GU10-3



OS 224-GU10-4

Specifications & Technical Data

Luminaires:

- Die Cast Aluminium Rim
- Polycarbonate Dark Light Reflector (DLR)
- Ceramic Lampholder (GU10)
- Adjustable Lamp Position
- Electrostatically Polyester Powder Coated
- Recessed Ceiling Mounted

Areas of Application:

- Home, Hospitality, Hotels, Offices,
- Retail, Supermarkets, Restaurants,
- Shop Lighting, Public & Commercial Building

Replace:

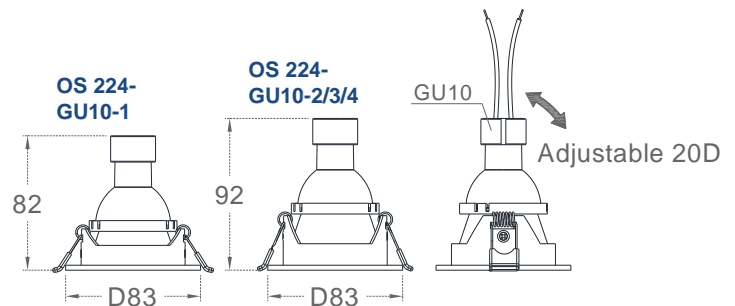
- 1x50W Halogen Downlight
- Save Over 80% on Energy



OS 224-GU10-1/V
(Vacuum DLR)



OS 224-GU10-1/W
(White DLR)



Model	System Lumens	Lamp Power	Beam Angle (°)	Base	AC Input	System Current (A)	Power Factor (λ)	Max. Temp. at ta (°C)	Hole Cut (mm)
OS 224-GU10-1	550lm	7.5W	45°	GU10	170-240V, 50/60Hz	0.06A	> 0.50	0°C ~ 35°C	D70
OS 224-GU10-2	250lm	7.5W	20°						
OS 224-GU10-3	300lm	7.5W	20°						
OS 224-GU10-4	275lm	7.5W	20°						

Brand	Code	Luminous Flux (lm)	Candela (cd)	Power (W)	CCT (K)	CRI (Ra)	SDCM	Beam Angle (°)	Lamp Base	Current (A)	Power Factor (λ)	AC Input (V, Hz)	Lifespan (Hrs)
TOSHIBA	LED GU10 7.5W 3000K 60D (RLDM02K08306U1EX1)	640lm	740cd	7.5W	3000K	≥ 90	≤ 6	60°	GU10	0.06	> 0.5	170-240V, 50/60Hz	15000Hrs