

VIP LED PANEL LIGHT TYPE VERTICAL (Recessed Plaster Ceiling)

MODEL: VIP PV24/RP



Specifications & Technical Data

Luminaires:

- Frame is Extruded From Aluminium (*White*)
- Mild Steel Housing (*Thickness 0.5mm*)
- Aluminium Plaster Frame & Mild Steel Bracket
- Electrostatically Polyester Powder Coated
- Polycarbonate **Opal** Diffuser
- Nylon Connecting Devices
- Pre-Connected With PVC Cable
- Recessed Plaster Ceiling

Areas of Application:

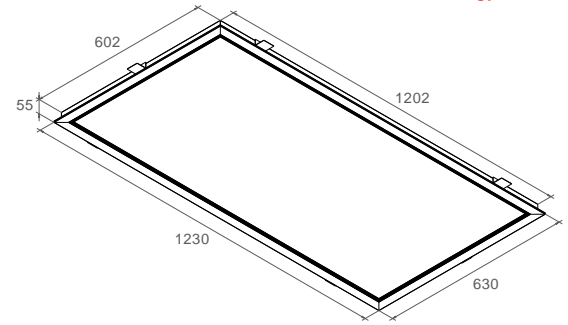
- Home, Hospitality, Hotels, Offices,
- Retail, Supermarkets, Restaurants,
- Shop Lighting, Storage Room,
- Public & Commercial Building

Optional:

- VITALITE VECK 36LED
- ≥ 2 Hours Duration Emergency Powerpack

Replace:

4x36W T8 FL & Save Over 50% On Energy



Model	System Lumens (lm)	System Power (W)	System Current (A)	Beam Angle (°)	LED Square (DC)	VITALITE LED Driver (AC 220-240V, 50/60Hz, PF 0.90)	Dimension (mm)
							Cut Out Size
VIP PV24/RP	6800lm	52W	0.22A	110°	4 x PV-SQ-128-xxxxK-G2	2 x VITALITE VLD 25/500/50	1210 x 610
	9600lm	72W	0.32A	110°	4 x PV-SQ-128-xxxxK-G2	2 x VITALITE VLD 35/700/50	

LED Square Module (DC)	Current (mA)	Luminous Flux (lm)	Power (W)	Voltage (V)	CCT (K)	CRI (Ra)	SDCM	Max. Temp. at tc (°C)	Lifespan (Hrs)	
PV-SQ-128-xxxxK-G2 (SMD 2835 8C16B)	500mA	2000lm	11.5W	22.7V	3000K	4000K	6500K	≥ 80 ≤ 5	80°C	50000Hrs
	650mA	2600lm	15.1W	23.2V	3000K	4000K	6500K	≥ 80 ≤ 5	80°C	50000Hrs
	700mA	2800lm	16.4W	23.4V	3000K	4000K	6500K	≥ 80 ≤ 5	80°C	50000Hrs

Photometric Data

