

Globe Light

Model: Globe Series



Clarity



Smoked



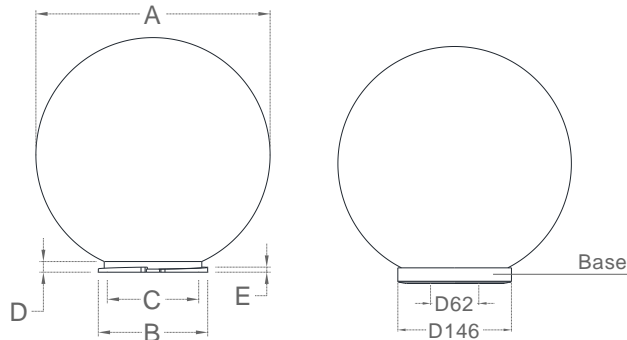
Clarity Stria



Smoked Stria

Specifications & Technical Data

- PMMA Acrylic Globe Diffuser
- Polycarbonate Mounting Base
- Lampholder of Ceramic (E27)
- Degree of Protection: **IP65**
- Type of Protection: Class II
- Mounting Method: Surface Pillar Mounted



Model	Luminaires			Dimension (mm)					Recommended
	Diffuser	Base	AC Input	A	B	C	D	E	TOSHIBA A-Bulb
G 250 (Clarity Stria)	Clarity Stria	E27	220-240V, 50/60Hz	255	119	99	12	6	7W - 12W
G 300 (Smoked)	Smoked	E27	220-240V, 50/60Hz	305	137	115	14	6.2	12W - 20W
G 300 (Smoked Stria)	Smoked Stria	E27	220-240V, 50/60Hz	305	137	115	14	6.2	12W - 20W
G 300 (Clarity)	Clarity	E27	220-240V, 50/60Hz	305	137	115	14	6.2	12W - 20W
G 300 (Clarity Stria)	Clarity Stria	E27	220-240V, 50/60Hz	305	137	115	14	6.2	12W - 20W
G 350 (Smoked)	Smoked	E27	220-240V, 50/60Hz	365	145	116	14	6.6	15W - 20W
G 350 (Smoked Stria)	Smoked Stria	E27	220-240V, 50/60Hz	365	145	116	14	6.6	15W - 20W
G 350 (Clarity)	Clarity	E27	220-240V, 50/60Hz	365	145	116	14	6.6	15W - 20W
G 350 (Clarity Stria)	Clarity Stria	E27	220-240V, 50/60Hz	365	145	116	14	6.6	15W - 20W
G 400 (Smoked)	Smoked	E27	220-240V, 50/60Hz	425	145	110	18.5	7.1	18W - 20W
G 400 (Smoked Stria)	Smoked Stria	E27	220-240V, 50/60Hz	425	145	110	18.5	7.1	18W - 20W
G 400 (Clarity)	Clarity	E27	220-240V, 50/60Hz	425	145	110	18.5	7.1	18W - 20W
G 400 (Clarity Stria)	Clarity Stria	E27	220-240V, 50/60Hz	425	145	110	18.5	7.1	18W - 20W