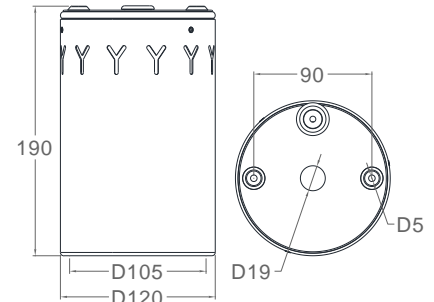


Surface Vertical Downlight
Model: 3400

Specifications & Technical Data

- Housing is Fabricated From Aluminium
- Mild Steel Base & Bracket
- Anodized Aluminium Reflector
- Ceramic Lampholder (E27)
- Nylon Connecting Devices (3 Way)
- Pre-Connected With PVC Cable
- Electrostatically Polyester Powder Coated
- Degree of Protection: **IP20**
- Type of Protection: Class 1
- Mounting Method: Surface Ceiling / Suspension



Model	Luminaires						Dimension - mm		Current (A)	P.F. (λ)
	Housing	Base	Lamp	Beam Angle	Base	AC Input	D	H	± 5 %	>
3400	Aluminium	Mild Steel	1 x 8W	90°	E27	220-240V, 50/60Hz	120	190	0.06	> 0.50
	Aluminium	Mild Steel	1 x 11W	90°	E27	220-240V, 50/60Hz	120	190	0.08	> 0.50

Brand	Code	Luminous Flux (lm)	Power (W)	CCT (K)	CRI (Ra)	SDCM	Beam Angle (°)	Lamp Base	Current (A)	Power Factor (λ)	AC Input (V, Hz)	Lifespan (Hrs)
TOSHIBA	LED T-Stick 8W 2700K (RLDTC0827E7TH1)	800lm	8W	2700K	≥ 80	≤ 6	220°	E27	0.06	> 0.5	220-240V, 50/60Hz	15000Hrs
TOSHIBA	LED T-Stick 8W 6500K (RLDTC0865E7TH1)	850lm	8W	6500K	≥ 80	≤ 6	220°	E27	0.06	> 0.5	220-240V, 50/60Hz	15000Hrs
TOSHIBA	LED T-Stick 11W 2700K (RLDTC1127E7TH1)	1100lm	11W	2700K	≥ 80	≤ 6	220°	E27	0.08	> 0.5	220-240V, 50/60Hz	15000Hrs
TOSHIBA	LED T-Stick 11W 6500K (RLDTC1165E7TH1)	1150lm	11W	6500K	≥ 80	≤ 6	220°	E27	0.08	> 0.5	220-240V, 50/60Hz	15000Hrs

Date: 14 November 2024