



Legend	Model
	VKS 555/STSR/RM (Single Sided View)
	VKS 555/STSR/SA (Single Sided View)
	VKS 555/STSR/LRA (Double Sided View)



### Specifications :

Aluminium Extruded Housing  
 Polycarbonate End Cap  
 Mild Steel Frame & Mounting Base  
 Polycarbonate Diffuser Panel With KELUAR Sign

### Mounting Method :

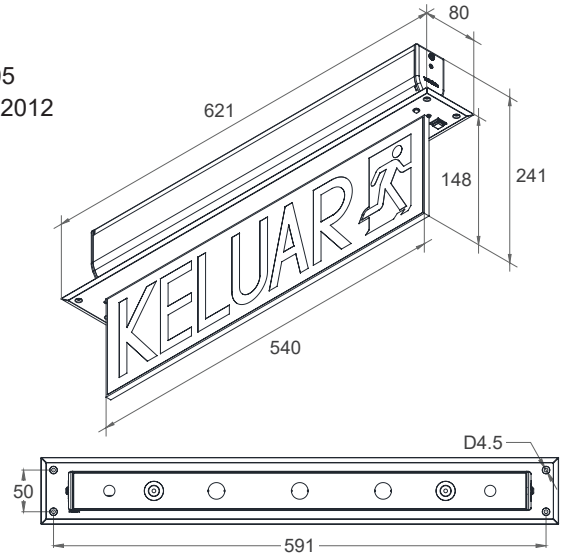
Recessed Plaster Ceiling  
 (Cut Out Size L570mm x W60mm)

### Certified by :

SIRIM QAS INTERNATIONAL SDN. BHD.  
 JABATAN BOMBA DAN PENYELAMAT MALAYSIA  
 JKR APPROVED

### Test Standard :

MS 983 : 2004  
 MS 619-2-22 : 2005  
 MS IEC 60598-1 : 2012



Mains Supply	220 – 240V 50/60Hz	Rating	0.01A / 2.7W / 0.85 PF
Mode of Operation	Maintained	Classification	Class I
Lamp	LED 2835 (28 PCS)	Degree of Protection	IP 20
Battery	Ni-Cd AA 3.6V 900mAh	Max. Operating Temperature (ta)	40°C
Emergency Duration	3 Hours	Recommended Mounting Height	Min. 2.3m
Recharge Period	24 Hours	Weight	2.12 KG

Packing : 10 Sets Per Carton Box  
 Outer Carton Box : L643 X W462 X H522 mm (26.30 KG)  
 Inner Carton Box : L628 X W88 X H248 mm (2.43 KG)