



Legend	Model
	VKS 555/STS/RM (Single Sided View)
	VKS 555/STS/SA (Single Sided View)
	VKS 555/STS/LRA (Double Sided View)



Specifications :

- Aluminium Extruded Housing
- Polycarbonate End Cap
- Mild Steel Mounting Base
- Polycarbonate Diffuser Panel With KELUAR Sign

Test Standard :

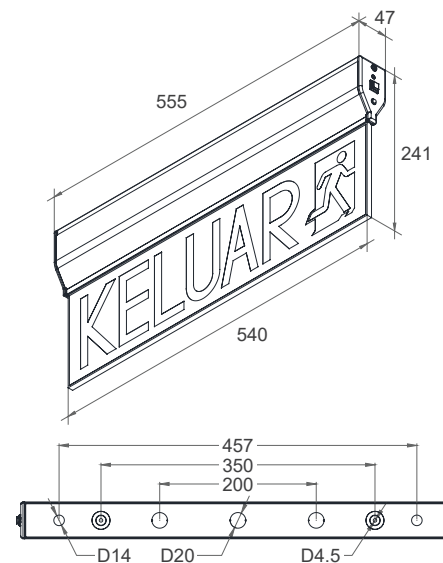
- MS 983 : 2004
- MS 619-2-22 : 2005
- MS IEC 60598-1 : 2012

Mounting Method :

Surface Ceiling Mounted

Certified by :

SIRIM QAS INTERNATIONAL SDN. BHD.
JABATAN BOMBA DAN PENYELAMAT MALAYSIA
JKR APPROVED



Mains Supply	220 – 240V 50/60Hz	Rating	0.01A / 2.7W / 0.85 PF
Mode of Operation	Maintained	Classification	Class I
Lamp	LED 2835 (28 PCS)	Degree of Protection	IP 20
Battery	Ni-Cd AA 3.6V 900mAh	Max. Operating Temperature (ta)	40°C
Emergency Duration	3 Hours	Recommended Mounting Height	Min. 2.3m
Recharge Period	24 Hours	Weight	1.80 KG

Packing : 10 Sets Per Carton Box
Outer Carton Box : L643 X W462 X H522 mm (22.80 KG)
Inner Carton Box : L628 X W88 X H248 mm (2.10 KG)