

Legend	Model
	<b>VES 335/STSR/E</b> (Single Sided View)
 	<b>VES 335/STSR/ELRA</b> (Double Sided View)
	<b>VES 335/STSR/RM</b> (Single Sided View)
 	<b>VES 335/STSR/RMLRA</b> (Double Sided View)



### Specifications :

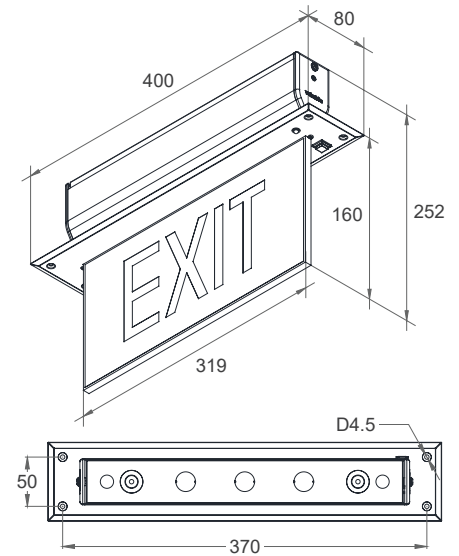
Aluminium Extruded Housing  
Polycarbonate End Cap  
Mild Steel Frame & Mounting Base  
Polycarbonate Diffuser

### Test Standard :

IEC 60598-2-22 : 2021  
SS 563-1 : 2010/A1 : 2017  
SS 563-2 : 2010/A2 : 2017  
IEC 61347-2-7 : 2021

### Mounting Method :

Recessed Plaster Ceiling  
(Cut Out Size L350mm x W60mm)



Mains Supply	220 – 240V 50/60Hz	Rating	0.01A / 3.0W / 0.8 PF
Mode of Operation	Maintained	Classification	Class I
Lamp	LED 2835 (18 PCS)	Degree of Protection	IP 20
Battery	Ni-Cd AA 3.6V 900mAh	Max. Operating Temperature (ta)	40°C
Emergency Duration	2 Hours	Recommended Mounting Height	Min. 2.3m
Recharge Period	15 Hours	Weight	1.35 KG

Packing : 10 Sets Per Carton Box  
Outer Carton Box : L538 X W462 X H429 mm (17.00 KG)  
Inner Carton Box : L408 X W260 X H88 mm (1.54 KG)