

Legend	Model
	VES 300/PC/E <i>(Single Sided View)</i>
	VES 300/PC/ELRA <i>(Double Sided View)</i>
	VES 300/PC/RM <i>(Single Sided View)</i>
	VES 300/PC/RMLRA <i>(Double Sided View)</i>



Specifications :

Polycarbonate Housing
Polycarbonate Diffuser

Mounting Method :

- Surface Ceiling Mounted
- Wall Mounted

Optional :

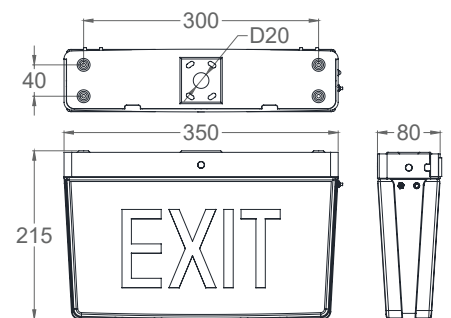


Wall Bracket



Test Standard :

IEC 60598-2-22 : 2021
SS 563-1 : 2010/A1 : 2017
SS 563-2 : 2010/A2 : 2017
IEC 61347-2-7 : 2021



Mains Supply	220 – 240V 50/60Hz	Rating	0.01A / 2.7W / 0.78 PF
Mode of Operation	Maintained	Classification	Class II
Lamp	LED 2835 (8 PCS)	Degree of Protection	IP 20
Battery	Ni-Cd AA 3.6V 900mAh	Max. Operating Temperature (ta)	40°C
Emergency Duration	2 Hours	Recommended Mounting Height	Min. 2.3m
Recharge Period	24 Hours	Weight	0.99 KG

Packing : 15 Sets Per Carton Box
Outer Carton Box : L690 X W372 X H475 mm (18.20 kg)
Inner Carton Box : L357 X W90 X H255 mm (1.12 kg)