



VEL 360/RT



Specifications :

Mild Steel Housing
Prismatic Diffuser
Stainless Steel Spring Clips

Test Standard :

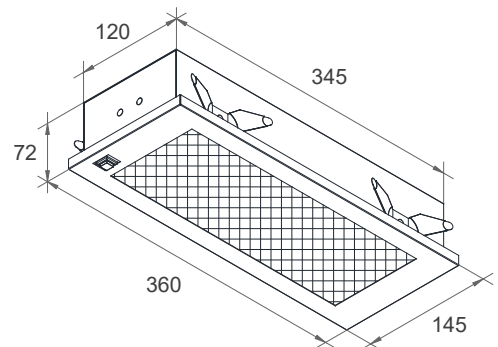
MS 619-2-22:2005
MS IEC 60598-1:2012

Mounting Method :

Recessed Plaster Ceiling
(Hole Cut L350mm x W125mm)

Certified by :

SIRIM QAS INTERNATIONAL SDN. BHD.
JABATAN BOMBA DAN PENYELAMAT MALAYSIA
JKR Approved



Mains Supply	220 – 240V 50/60Hz	Rating	0.005A / 1.2W / 0.91 PF
Mode of Operation	Non-Maintained	Rated Lumen	75 lm
Lamp	LED 2835 (20 PCS)	Classification / Degree of Protection	Class I / IP 20
Battery	Ni-Cd AA 3.6V 900mAh	Max. Operating Temperature (ta)	35°C
Emergency Duration	3 Hours	Recommended Mounting Height	Min. 3m
Recharge Period	24 Hours	Weight	1.05 KG

Packing : 15 Sets Per Carton Box
Outer Carton Box : L474 X W447 X H397 mm (18.40 KG)
Inner Carton Box : L376 X W152 X H84 mm (1.15 KG)