

VEL 225/N/TLS



Specifications :

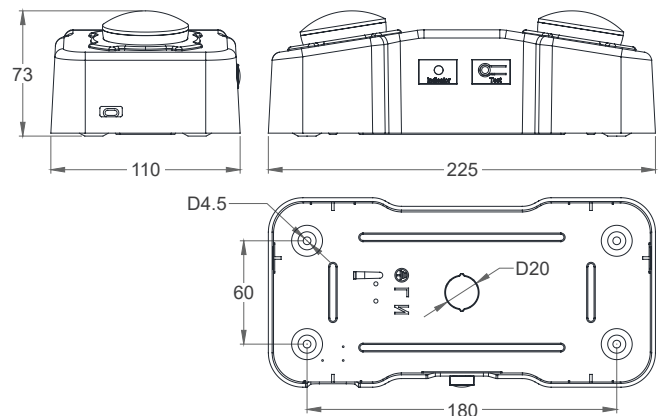
- Polycarbonate Housing
- Mild Steel Mounting Base
- Two Fully Adjustable Round Shape Light Heads
- Polycarbonate Clear Diffuser
- Innovative, Snap-Together Design For Fast Installation

Mounting Method :

- Surface Ceiling Mounted
- Surface Wall Mounted

Test Standard :

- MS 619-2-22:2005
- MS IEC 60598-1:2012



Mains Supply	220 – 240V 50/60Hz	Rating	0.01A / 1.5W / 0.74 PF
Mode of Operation	Non-Maintained	Rated Lumen	185 lm
Lamp	LED 2835 (2 x 8 PCS)	Classification / Degree of Protection	Class I / IP 20
Battery	Ni-Cd SC 3.6V 1800mAh	Max. Operating Temperature (ta)	40°C
Emergency Duration	3 Hours	Recommended Mounting Height	Min. 3m
Recharge Period	15 Hours	Weight	0.55 KG

- Packing : 15 Sets Per Carton Box
- Outer Carton Box : L470 x W385 x H265 mm (10.80 KG)
- Inner Carton Box : L238 x W88 x H120 mm (0.65 KG)