

OASIS SL-1300 SERIES ADJUSTABLE LED LAWN LIGHT

MODEL: OS SL-1356 (DC)

Made to Order



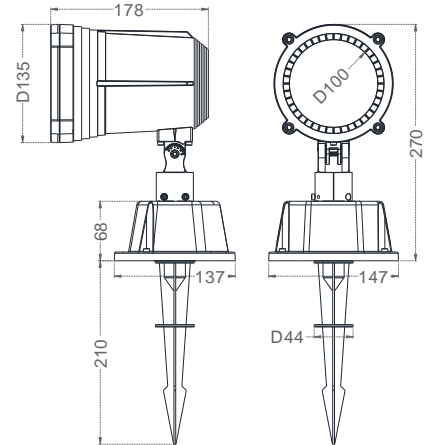
OS111-COB LED Module



Black Texture



Silver Texture



Specifications & Technical Data

Luminaires:

- Die Cast Aluminium Rim & Housing
- Electrostatically Polyester Powder Coated
- Tempered Glass **Clear** Diffuser
- Adjustable Lamp Position
- Built-In Gear Chamber
- Nylon Connecting Devices
- Waterproof Cable Entry
- Stainless Steel Screws
- Surface Ground Mounted

Areas of Application:

- Home, Hospitality, Hotels, Offices,
- Retail, Supermarkets, Restaurants,
- Shop Lighting, Museums, Galleries
- Public & Commercial Building

Replace:

1x70W HID Reflector Lamp

Model	System Lumens (lm)	System Power (W)	System Current (A)	Beam Angle (°)				OS111-COB LED Module (TRIDONIC COB SLE ADV8)	TRIDONIC LED Driver (AC 220-240V, 50/60Hz, PF 0.90)
OS SL-1356	3300lm	27W	0.12A	20°	30°	45°	60°	OS111-COB-4000-8xx-xxD	LC 30/700/43 fixC SC SNC2 or LC 35W 500-800mA flexC SC ADV (Type F Resistor Set to 700mA)

OS111-COB LED Module (TRIDONIC COB SLE ADV8)	Current (mA)	Luminous Flux (lm)	Power (W)	Voltage (V)	CCT (K)	CCT (K)	Beam Angle (°)	CRI (Ra)	SDCM	Max. Temp. at tc (°C)	Lifespan (Hrs)
OS111-COB-4000-8xx-20D	700mA	3700lm	23.4W	33.4V	3000K	4000K	20°	≥ 80	≤ 3	105°C	50000Hrs
OS111-COB-4000-8xx-30D	700mA	3700lm	23.4W	33.4V	3000K	4000K	30°	≥ 80	≤ 3	105°C	50000Hrs
OS111-COB-4000-8xx-45D	700mA	3800lm	23.4W	33.4V	3000K	4000K	45°	≥ 80	≤ 3	105°C	50000Hrs
OS111-COB-4000-8xx-60D	700mA	3500lm	23.4W	33.4V	3000K	4000K	60°	≥ 80	≤ 3	105°C	50000Hrs

Date: 18 August 2022

Max. Operating Temperature at ta 0°C to +30°C

YLI INDUSTRY SDN. BHD. Reserves the rights to alternate the specification of its product at any time without prior notice.