

OASIS FL SERIES LED FLOOD LIGHTS (Aluminium Housing)

MODEL: OS FL Series (Aluminium) (Set to 700mA)



OSRAM PrevalLED SKY G3 Module

Specifications & Technical Data

Luminaires:

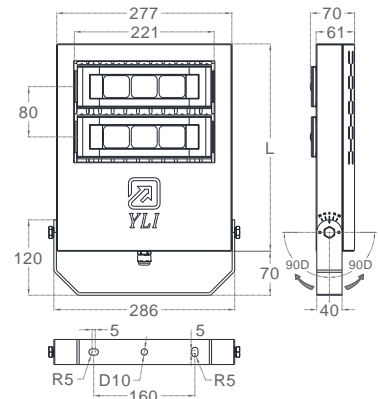
- Aluminium Housing & Bracket
- Built-In Gear Chamber
- Pre-Connected With 105°C HR PVC Cable
- Cable Gland Entry
- Weatherproof Connecting Devices
- Electrostatically Powder Coated
- Surface Mounted

Areas of Application:

- Warehouse, Factory, Outdoor, Parks,
- Area With High Ceilings, Patios,
- Backyard, Public & Commercial Building

Replace:

- 75W** to Replace **1x150W** Metal Halide Lamp
- 105W** to Replace **1x200W** Metal Halide Lamp
- 142W** to Replace **1x250W** Metal Halide Lamp



Model	No. of LED Modules	System Lumen (lm)	System Power (W)	System Current (A)	Beam Angle (°)	OSRAM PL-SKY G3 Outdoor Modules (DC)	SOSEN LED Driver (AC 220-240V, 50/60Hz, PF 0.90)	Dimension
								L (mm)
OS FL-2 (Alu) (L100x60) (700mA)	2	9200lm	75W	0.32A	100° x 60°	2 x PL-SKY G3 7xx L100x60	1 x SOSEN SS-100VH-E143B or 1 x SOSEN SS-100GA-E143B	325
OS FL-2 (Alu) (L60x60) (700mA)					60° x 60°	2 x PL-SKY G3 7xx L60x60		
OS FL-2 (Alu) (L100x100) (700mA)	3	13800lm	105W	0.44A	100° x 100°	2 x PL-SKY G3 7xx L100x100	1 x SOSEN SS-100VH-E143B or 1 x SOSEN SS-100GA-E143B	400
OS FL-3 (Alu) (L100x60) (700mA)					100° x 60°	3 x PL-SKY G3 7xx L100x60		
OS FL-3 (Alu) (L60x60) (700mA)					60° x 60°	3 x PL-SKY G3 7xx L60x60		
OS FL-3 (Alu) (L100x100) (700mA)	4	18400lm	142W	0.61A	100° x 100°	3 x PL-SKY G3 7xx L100x100	1 x SOSEN SS-150VH-E215B or 1 x SOSEN SS-150GA-E215B	475
OS FL-4 (Alu) (L100x60) (700mA)					100° x 60°	4 x PL-SKY G3 7xx L100x60		
OS FL-4 (Alu) (L60x60) (700mA)					60° x 60°	4 x PL-SKY G3 7xx L60x60		
OS FL-4 (Alu) (L100x100) (700mA)					100° x 100°	4 x PL-SKY G3 7xx L100x100		

OSRAM PL-SKY G3 Outdoor Modules (DC)	Luminous Flux (lm) typ.	Power (W)	Current (mA)	Voltage (V)	CCT (K)			CRI (Ra)	Beam Angle (°)	Max. Temp. Range at tc (°C)	Lifespan (Hrs)
PL-SKY-G3 7xx L100x60	4600lm	33W	700mA	46.6V	3000K	4000K	6500K	≥ 70	100° x 60°	-30°C ~ 90°C	50000Hrs
PL-SKY-G3 7xx L60x60	4600lm	33W	700mA	46.6V	3000K	4000K	6500K	≥ 70	60° x 60°	-30°C ~ 90°C	50000Hrs
PL-SKY-G3 7xx L100x100	4600lm	33W	700mA	46.6V	3000K	4000K	6500K	≥ 70	100° x 100°	-30°C ~ 90°C	50000Hrs

Date: 19 August 2024

Max. Operating Temperature at ta 0°C to +35°C

YLI INDUSTRY SDN. BHD. Reserves the rights to alternate the specification of its product at any time without prior notice.