

OASIS FL SERIES LED FLOOD LIGHTS (Aluminium Housing)

MODEL: OS FL Series (Aluminium) (Set to 900mA)



OSRAM PrevalLED SKY G3 Module

Specifications & Technical Data

Luminaires:

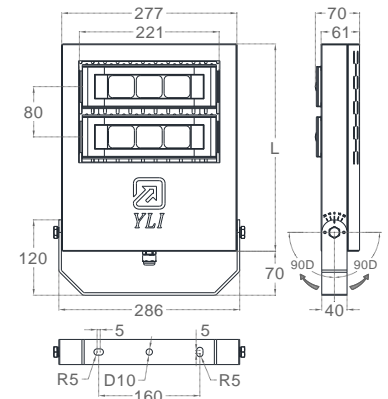
- Aluminium Housing & Bracket
- Built-In Gear Chamber
- Pre-Connected With 105°C HR PVC Cable
- Cable Gland Entry
- Weatherproof Connecting Devices
- Electrostatically Powder Coated
- Surface Mounted

Areas of Application:

- Warehouse, Factory, Outdoor, Parks,
- Area With High Ceilings, Patios,
- Backyard, Public & Commercial Building

Replace:

- 100W** to Replace **1x200W** Metal Halide Lamp
- 150W** to Replace **1x300W** Metal Halide Lamp
- 200W** to Replace **1x400W** Metal Halide Lamp



Model	No. of LED Modules	System Lumen (lm)	System Power (W)	System Current (A)	Beam Angle (°)	OSRAM PL-SKY G3 Outdoor Modules (DC)	SOSEN LED Driver (AC 220-240V, 50/60Hz, PF 0.90)	Dimension
								L (mm)
OS FL-2 (Alu) (L100x60) (900mA)	2	11600lm	100W	0.43A	100° x 60°	2 x PL-SKY G3 7xx L100x60	1 x SOSEN SS-100VH-E143B or 1 x SOSEN SS-100GA-E143B	325
OS FL-2 (Alu) (L60x60) (900mA)					60° x 60°	2 x PL-SKY G3 7xx L60x60		
OS FL-2 (Alu) (L100x100) (900mA)	3	17400lm	150W	0.64A	100° x 100°	2 x PL-SKY G3 7xx L100x100	1 x SOSEN SS-150VH-E215B or 1 x SOSEN SS-150GA-E215B	400
OS FL-3 (Alu) (L100x60) (900mA)					100° x 60°	3 x PL-SKY G3 7xx L100x60		
OS FL-3 (Alu) (L60x60) (900mA)					60° x 60°	3 x PL-SKY G3 7xx L60x60		
OS FL-3 (Alu) (L100x100) (900mA)	4	23200lm	200W	0.85A	100° x 100°	3 x PL-SKY G3 7xx L100x100	1 x SOSEN SS-200VH-E286B or 1 x SOSEN SS-200GA-E286B	475
OS FL-4 (Alu) (L100x60) (900mA)					100° x 60°	4 x PL-SKY G3 7xx L100x60		
OS FL-4 (Alu) (L60x60) (900mA)					60° x 60°	4 x PL-SKY G3 7xx L60x60		
OS FL-4 (Alu) (L100x100) (900mA)					100° x 100°	4 x PL-SKY G3 7xx L100x100		

OSRAM PL-SKY G3 Outdoor Modules (DC)	Luminous Flux (lm) typ.	Power (W)	Current (mA)	Voltage (V)	CCT (K)			CRI (Ra)	Beam Angle (°)	Max. Temp. Range at tc (°C)	Lifespan (Hrs)
PL-SKY-G3 7xx L100x60	5800lm	43.5W	900mA	47.7V	3000K	4000K	6500K	≥ 70	100° x 60°	-30°C ~ 90°C	50000Hrs
PL-SKY-G3 7xx L60x60	5800lm	43.5W	900mA	47.7V	3000K	4000K	6500K	≥ 70	60° x 60°	-30°C ~ 90°C	50000Hrs
PL-SKY-G3 7xx L100x100	5800lm	43.5W	900mA	47.7V	3000K	4000K	6500K	≥ 70	100° x 100°	-30°C ~ 90°C	50000Hrs