



YLI

YLI INDUSTRY SDN. BHD. (504654-U)

Ultimate Lighting Experience

Tel: +60-5-366 5227 (Hunting Line), 366 4227, 366 8227, 366 9227 Fax: +60-5-365 1227, 366 1227

Email: info@yli-ind.com.my

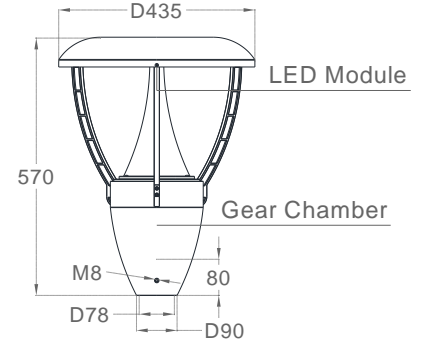
Website: www.yli-ind.com.my

Technical Data

OASIS SERIES LED GARDEN LIGHTS

MODEL: OS AL-430-LED

Made to Order / MOQ Requirement



Specifications & Technical Data

Luminaires:

- Base is From Aluminium Alloy
• Aluminium Top, Reflector & Base Plate
• Electrostatically Polyester Powder Coated
• Acrylic Clear Diffuser
• Built-In Gear Chamber
• Sealed With Silicone Gasket
• Stainless Steel Screws
• Nylon Connecting Devices (3 Way)
• Cable Gland & Flex

- Mounting Method: Pole Mounted (Pole Size D76mm)

Areas of Application:

Outdoor, Parks, Pedestrian Areas, Patios, Courtyard and Spaces, Highlighting Garden, Public Areas

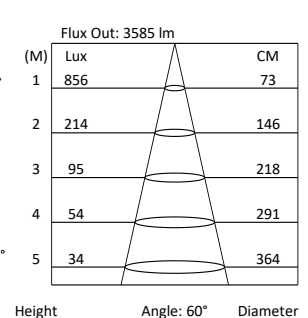
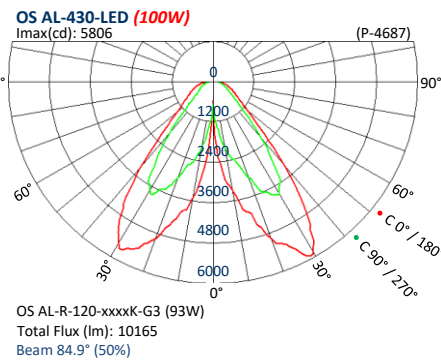
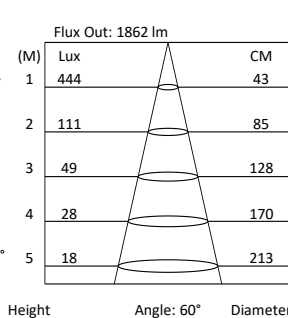
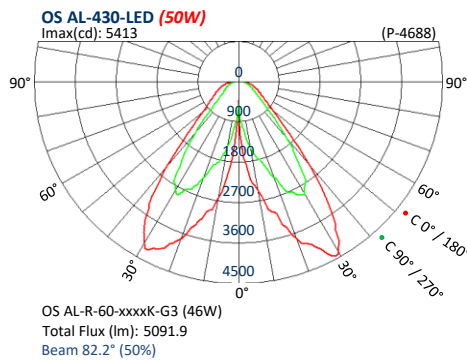
Replace:

- 1x50W to Replace 100W MH Lamp
1x100W to Replace 200W MH Lamp

Table with 7 columns: Model, System Lumens (lm), System Power (W), System Current (A), Beam Angle (°), OS LED Module (DC), SOSEEN LED Driver (IP65) (AC 220-240V, 50/60Hz, PF 0.90)

Table with 11 columns: OS LED Modules (DC), Current (mA), Luminous Flux (lm), Power (W), Voltage (V), CCT (K), CRI (Ra), SDCM, Max. Temp. at tc (°C), Lifespan (Hrs)

Photometric Data



Date: 26 August 2024

Max. Operating Temperature at ta 0°C to +35°C

YLI INDUSTRY SDN. BHD. Reserves the rights to alternate the specification of its product at any time without prior notice