



YLI

Ultimate Lighting Experience

YLI INDUSTRY SDN. BHD. (504654-U)

Downlights Catalogue 2015 ~ 2016

MADE IN MALAYSIA

YLI INDUSTRY SDN. BHD. established since 1993, has the experience in the moulding and tooling industry for more than 22 years. With its strong background, YLI diversified into lighting manufacturing and is now the fastest growing manufacturer of lighting fittings / luminaires for both indoor and outdoor applications in Malaysia.

The core product of YLI are:-

INDOOR LIGHTING...

Down Light, Fluorescent Light Fitting, Close Ceiling Light, Pendant Light, Spot Track Lighting & LED Light.

OUTDOOR LIGHTING...

Garden & Street Light, Wall Light, Flood Light, Lawn Light, Buried-Up Lighter, Bollard Light & Up-Down Light.

ACCESSORIES & ATTACHMENTS...

Lampholder, Starter Holder, Connecting Devices, Anodized Mirror Reflector & Louver.

YLI moved into its new factory building in 2005 to accommodate the demand for its products. The factory has now a work floor space of 4 acre sprawled over a 7 acre site in Pusing, Perak with a workforce of more than 200 staffs nationwide.

YLI has since opened 7 Branches in Malaysia to market its products nationwide and 5 subsidiary / associate company in Australia, China, Indonesia, Singapore & Thailand.

With turnover in excess of USD 15 million annually and growing, the company in line with its expansion plan is in the midst of doubling its current work floor space.

YLI is well equipped with advanced CNC wire cutting, milling, lathe, turret punching and photometric data machines. Its components are procured locally and internationally which are subjected to rigorous testing procedures in compliance with the Malaysia Standards (MS). The company has its own Research and Development Department which oversee quality at its utmost.

YLI is a member of the Federations of Malaysian Manufacturers and the Exporters Club of Malaysia.

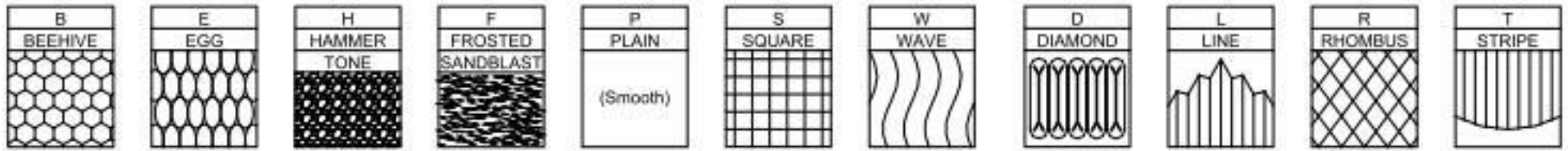
YLI recognize its customers' needs to be competitive and aim to provide the best service and quality products at the most competitive price available in the markets. YLI is keeping pace with the ever changing evolution in the lighting industry to offer new and improved products which provide the buyer with greater added value.

YLI has already ventured its operations internationally to include regions namely in South East Asia, Western Asia (Middle East), some countries of Africa and Europe, Oceania and Pacific rim and the Australasia continent.

YLI is in pursuit of its plans to be a ONE-STOP destination for all lighting needs, thereby creating the *Ultimate Lighting Experience*.

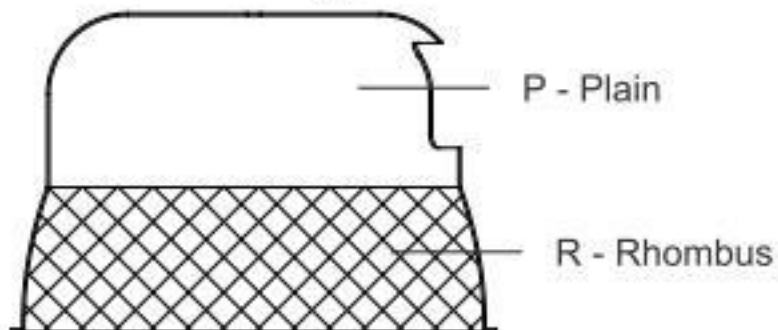
Downlights Catalogue 2015 ~ 2016	Page		Page
Brief Introduction	2	Adjustable Recessed Square Downlights	
Contents	3	8MR1/D / 8MR2/D / 8MR3/D / 8MR1/F / 8MR2/F / 8MR3/F (Halogen / LED MR16)	22
Facet Design Code & Light Source	4	8AR1 / 8AR2 / 8AR3 / 8CDM1 / 8CDM 2 / 8CDM3 (Halogen / LED AR111 / HID Lamps)	23
Accessories & Component	40	Surface Ceiling Lights	
Lamps Specifications	41 - 46	SR500 / SR501 / SR502 (T9 FL / CFLi)	24
Contact Details	47	Surface Vertical / Horizontal Downlights	
Recessed Vertical Downlights		3400 / 3700 / 3800 / 3805 / 3110 / 3879SQ (CFL / CFLi)	25
6201 / 6301 / 6401 / 6501 / 6601 / 6701 (CFL)	5	3701 / 3801 / 3806 / 3112 (CFL / CFLi)	26
9V-125 / 9V-175 / 9V-200 / 9V-215 (CFL)	6	3804 / 3111 (CFL / CFLi)	27
EV100 / EV125 / EV140 / EV160 / EV175 (CFLi)	7	Adjustable / Fixed Recessed HID Downlights	
EV125G / EV140G / EV160G (CFLi)	7	BDH 115/R / BDH 140/R / BDH 160/R (HID Lamps)	28
6075 / 6095 / 6105 (Halogen / LED PAR38 / PAR56)	8	BDH 215/R / BDH 160A/R (HID Lamps)	29
6090 / 6100A / 6105 (HID Lamps)	9	BDH 135A/R / BDH 175A/R (HID Lamps)	30
Recessed Horizontal Downlights		BDH 310A/TG / BDH 160/R/TG / BDH 190/R/TG (HID Lamps) / 8311 (CFL)	31
7300 / 7400 / 7600 / 7602 (CFL)	10	Surface / Pendant HID Downlights	
7301 / 7401 / 7601 (CFL)	11	MSH DL80 / MSH DL81 (3808) (HID Lamps)	32
7606 / 7606RC / 7808 / 7900 / 7628 / 7828 / 7928 (CFL)	12	Track / Semi-Recessed / Spot Lights	
7804 / 7906 (CFL)	13	SN2004 / SN2005 / SN2006 (Halogen / LED MR16)	24
175100 / 175130 / 215150 / 230150 / 245190 (CFL)	14	OS 105SL / OS 150SL / OS 105SR / OS 150SR (LED Lamps)	33
CN608 / CN808 (CFL)	15	LSH 90 / LSH 92 / LSH 110 / LSH 150 (HID Lamps)	34
EH125 / EH160 / EH175 / EH190 / EH200 / EH215 (CFLi)	17	MSH 90SR / MSH 92SR / MSH 110SR / MSH 150SR (HID Lamps)	35
EH125G / EH160G / EH175G / EH190G / EH200G (CFLi)	18	Pendant Lights	
Recessed Wall Washer Downlights		DL 30A / DL50 (LED A60 / CFL)	36
4213 / 4218 / 4226 (CFL)	16	Surface Low Bay / Pendant High Bay Lights	
4120 / 4130 / 4138 (Halogen / LED PAR)	16	LB 380TG / LB 380WG / LB 650TG / LB 650WG (HID Lamps)	37
Recessed Horizontal Square Downlights		HB-PC300 / HB-PC400 / HB-PC500 / HB-1210PP / HB-1511-PD / HB-1610-HH (HID / CFLi / LED A60)	38
8114 / 8118 / 8213 / 8226 / 8214 / 8227 / 81151 (CFL / CFLi)	19	HB-1813-PP / HB-1815-PP / HB-1511-PD2 / HB-1813-PP2 (HID Lamps)	39
Adjustable Recessed Eyeball Downlights			
RH 75 / RH 82 / RH95 / RH 701 / RH 800 / RH 901 / RH 905 / RH 906 / RH 8171 (Halogen / LED MR16)	20		
Adjustable / Fixed Recessed Halogen Downlights			
RH 100 / RH 100/A (Halogen / LED MR16)	21		

Facet Design Code



Example

Horizontal Type



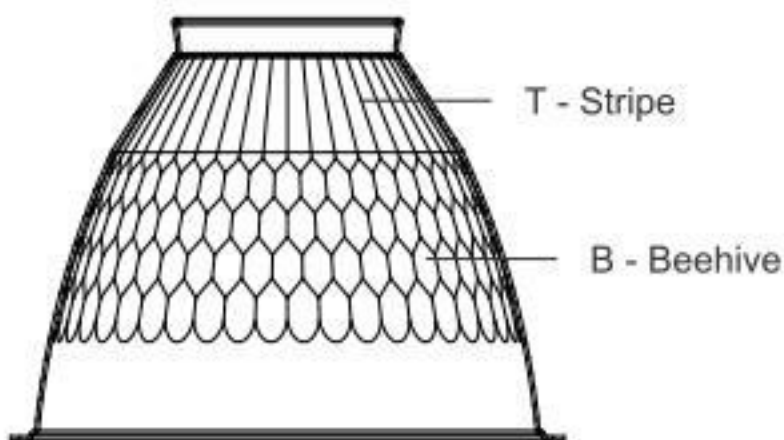
RP-A = Rhombus & Plain - Anodized

Unique Type



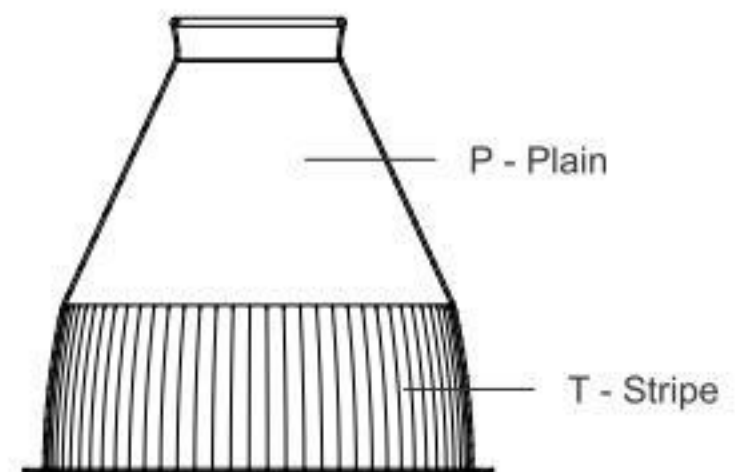
Q-45-P = Height 45mm & Plain Facet - Anodized

Vertical Type



BT-V = Beehive & Stripe - Vacuum

Vertical Type



TP-A = Stripe & Plain - Anodized

Light Source

CFL = Compact Fluorescent Lamp



Halogen Lamps



HID = High Intensity Discharge Lamp

Quartz Metal Halide / Ceramic Metal Halide / High Pressure Sodium



LED Lamps



Fluorescent Lamp - T9

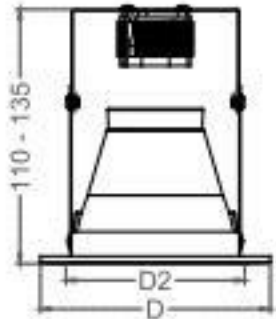



Model: 6201

Model: 6301



Specifications	
Rim	MS / DCA
Body	Mild Steel
Reflector	Anodized / Vacuum
Lampholder	Polycarbonate (G24d)
Spring	Stainless Steel
Rim - Colour	
MS	White / Chrome (6301)
DCA	White



Model	Power (W)	Reflector Facet					Rim	Body	Dimension (mm)			
	CFL	PL-V	FS-A	MS	DCA	Mild Steel			D	D2	H	
6201	1 x 10W	PL-V	FS-A	MS	DCA	Mild Steel	90	75	135	D80mm		
6301	1 x 13W	FT-A	PT-V	MS	DCA	Mild Steel	122	95	135	D100mm		

Model: 6401

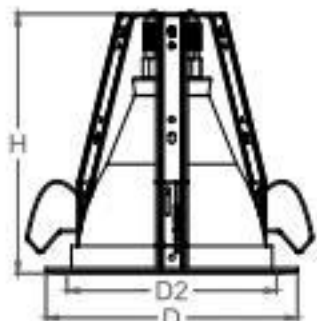
Model: 6501


Model: 6601

Model: 6701



Specifications	
Rim	MS / DCA / SS
Body	MS / GI
Reflector	Anodized / Vacuum
Lampholder	Polycarbonate (G24d)
Connector	Nylon (3 Way)
Spring	Stainless Steel
Rim - Colour	
MS	White / Chrome
DCA	White
SS	Natural



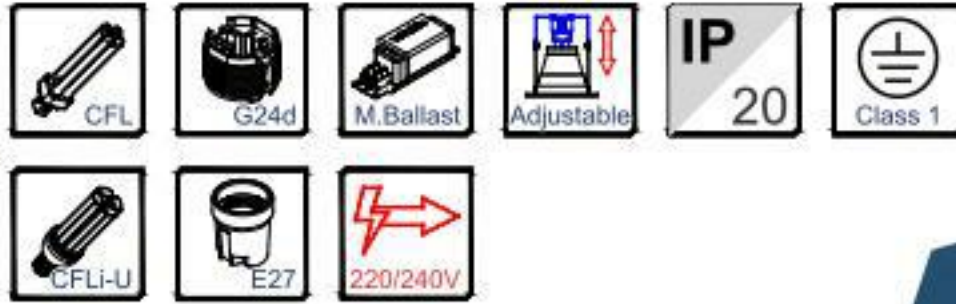
Model	Power (W)	Reflector Facet					Rim	Body	Dimension (mm)					
	CFL	BT-V-P	PP-A	FF-A	TP-A	FT-A			MS	DCA	MS		GI	D
6401	1 x 13W	BT-V-P	PP-A	FF-A	TP-A	FT-A	MS	DCA	MS	GI	140	115	165	D125mm
		PL-A	-	-	-	-	SS	-						
6501	1 x 18W	FT-A	TP-V	BT-V	-	-	MS	DCA	GI	-	160	130	185	D140mm
6601	1 x 26W	BT-V-P	PP-A	FF-A	TP-A	FT-A	MS	DCA	MS	GI	173	145	185	D160mm
		PL-A	-	-	-	-	SS	-						
6701	1 x 26W	FF-A	PP-A	-	-	-	MS	DCA	GI	-	190	160	185	D175mm

Recessed Vertical Downlights

CFL / CFL Integrated - **G24d / E27**

Model: 9V-125

Model: 9V-175



Specifications

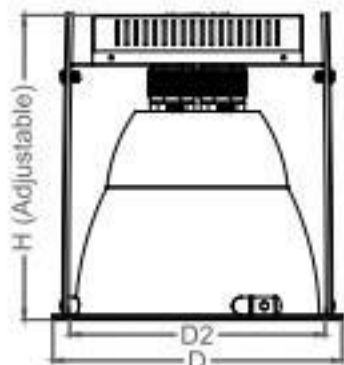
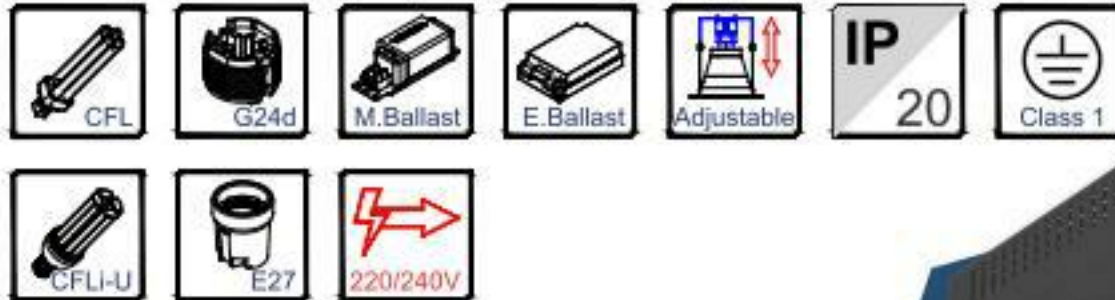
Rim	Die Cast Aluminium
Body / Housing	Mild Steel
Reflector	Anodized / Vacuum
Lampholder (1)	Polycarbonate (G24d)
Lampholder (2)	Ceramic (E27)
Connector	Nylon (3 Way)
Spring	Stainless Steel
Rim - Colour	
DCA	White



Model	Power (W) CFL / CFLi	Reflector Facet							Dimension (mm)			
		BT-V-P	BT-V-E	PP-A	FF-A	TP-A	FT-A	PL-A	D	D2	H	
9V-125	1 x 18W								140	115	204	D125mm
9V-175-118	1 x 18W								192	160	232	D175mm
9V-175-218	2 x 18W											

Model: 9V-200

Model: 9V-215



Specifications

Rim	Die Cast Aluminium
Body / Housing	Mild Steel
Reflector	Anodized Aluminium
Lampholder (1)	Polycarbonate (G24d/q)
Lampholder (2)	Ceramic (E27)
Connector	Nylon (3 Way)
Spring	Stainless Steel
Rim - Colour	
DCA	White



Model	Power (W)		Reflector Facet		Rim	Dimension (mm)			
	CFL	CFLi-U				D	D2	H	
9V-200-126	1 x 26W	1 x 30W	FF-A-1H	PP-A-1H	DCA	215	185	265	D200mm
9V-200-226	2 x 26W	2 x 18W	FF-A-2H	PP-A-2H	DCA				
9V-215-126	1 x 26W	1 x 30W	FF-A-1H	PP-A-1H	DCA	230	203	272	D215mm
9V-215-226	2 x 26W	2 x 30W	FF-A-2H	PP-A-2H	DCA				

Remark: DCA = Die Cast Aluminium

Model: EV100

Model: EV125

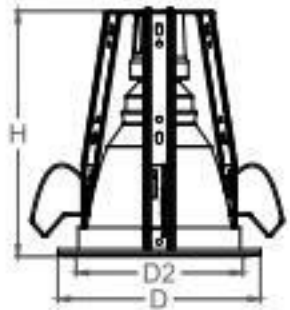
Model: EV140


Model: EV160

Model: EV175



Specifications	
Rim	MS / DCA / SS
Body	MS / GI
Reflector	Anodized / Vacuum
Lampholder	Ceramic (E27)
Connector	Nylon (3 Way)
Spring	Stainless Steel
Rim - Colour	
MS	White / Chrome
DCA	White
SS	Natural



Model	Power (W)		Reflector Facet					Rim	Body	Dimension (mm)			
	CFLi-U	CFLi-S	FT-A	PT-V	-	-	-			D	D2	H	
EV100	1 x 13W	-	FT-A	PT-V	-	-	-	MS / DCA	MS	122	95	135	D100mm
EV125	1 x 18W	1 x 22W	FW-A	PP-A	FF-A	BT-V-E	-	MS / DCA / SS	MS / GI	140	115	170	D125mm
EV140	1 x 18W	1 x 22W	FW-A	FF-A	PW-V	-	-	MS (no chrome)	MS / GI	160	130	170	D140mm
EV160	1 x 18W	1 x 22W	FW-A	PP-A	FF-A	PW-V	BT-V-E	MS / DCA / SS	MS / GI	173	145	185	D160mm
EV175	1 x 30W	1 x 28W	FF-A	PP-A	-	-	-	MS	GI	190	160	185	D175mm

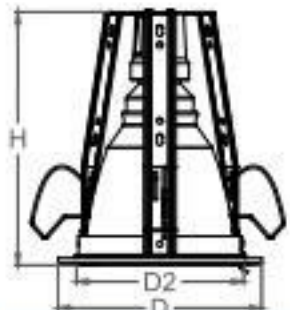
Model: EV125G


Model: EV140G

Model: EV160G



Specifications	
Rim	MS / SS
Body	MS / GI
Reflector	Anodized / Vacuum
Lampholder	Ceramic (E27)
Connector	Nylon (3 Way)
Spring	Stainless Steel
Diffuser	Semi-Frosted Glass
Rim - Colour	
MS	White / Chrome
SS	Natural



Model	Power (W)		Reflector Facet					Rim	Body	Dimension (mm)			
	CFLi-U	CFLi-S	FW-A	PP-A	FF-A	BT-V-E	-			D	D2	H	
EV125G	1 x 18W	1 x 22W	FW-A	PP-A	FF-A	BT-V-E	-	MS	SS	140	115	174	D125mm
EV140G	1 x 18W	1 x 22W	FW-A	PP-A	FF-A	PW-V	-	MS (no chrome)		160	130	174	D140mm
EV160G	1 x 18W	1 x 22W	FW-A	PP-A	FF-A	PW-V	BT-V-E	MS	SS	179	145	189	D160mm

Recessed Vertical Downlights

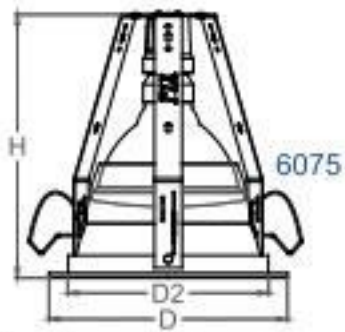
LED / Halogen PAR38 / PAR56 - E27 / GX16d

Model: 6075

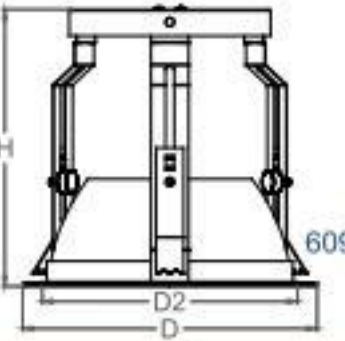
Model: 6095



Specifications	
Rim	MS / DCA
Body	MS / GI
Reflector	Anodized Aluminium
Lampholder	Ceramic (E27)
Connector	Nylon (3 Way)
Spring	Stainless Steel
Rim - Colour	
MS	White
DCA	White



6075



6095



6095

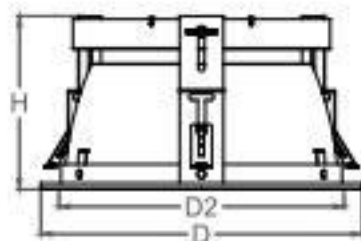


Model	Power (W)			Reflector Facet	Rim		Body	Dimension (mm)			
	Halogen PAR38	LED PAR38						D	D2	H	
6075	1 x 80W	1 x 120W	1 x 17W	PP-A	MS	DCA	Galvanized	190	160	210	D175mm
6095	1 x 80W	1 x 120W	1 x 17W	PP-A	MS	DCA	Mild Steel	234	203	220	D215mm

Model: 6105



Specifications	
Rim	Mild Steel
Body	Mild Steel
Reflector	Anodized Aluminium
Lampholder	Ceramic (GX16d)
Spring	Stainless Steel
Rim - Colour	
MS	White



H

D2

D



Model	Power (W)	Reflector Facet	Rim	Body	Dimension (mm)			
	Halogen PAR56				D	D2	H	
6105	1 x 300W	PP-A	Mild Steel	Mild Steel	256	227	138	D230mm

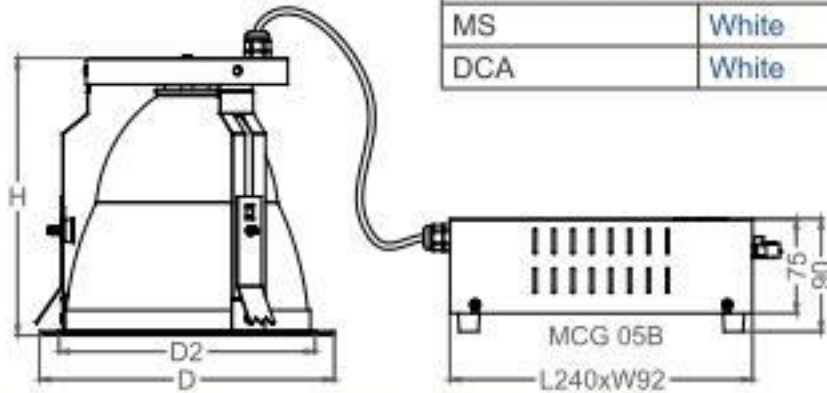
Remark: MS = Mild Steel / DCA = Die Cast Aluminium / GI = Galvanized Iron


Ultimate Lighting Experience

Model: 6090



Specifications	
Rim	MS / DCA
Body / Housing	Mild Steel
Gear Box	Mild Steel
Reflector	Anodized Aluminium
Lampholder	Ceramic (E27)
Connector	Nylon (3 Way)
Spring	Stainless Steel
Rim - Colour	
MS	White
DCA	White



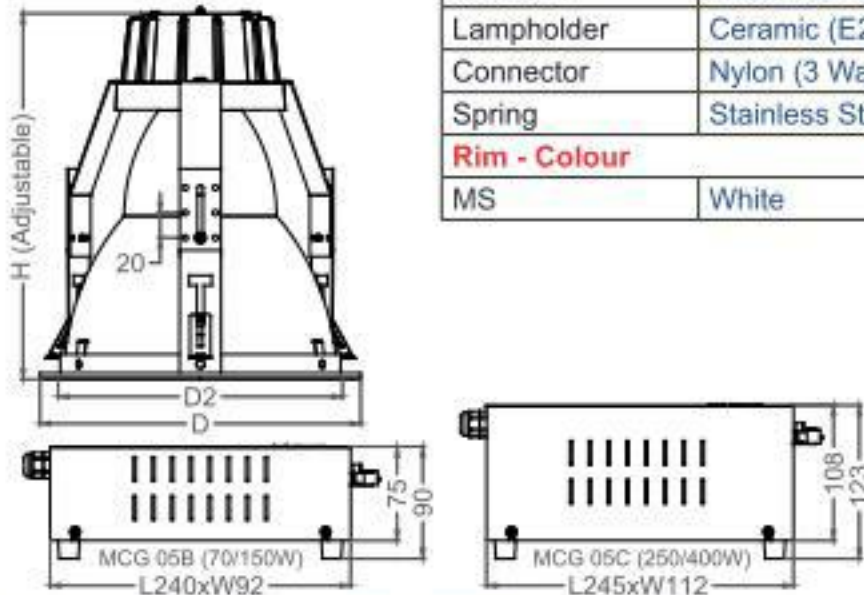
Model	Power (W)		Reflector Facet		Rim		Body / Housing	Dimension (mm)			
	Quartz Metal Halide / HPS		FF-A	PP-A	MS	DCA		D	D2	H	
6090	1 x 70W	1 x 150W	FF-A	PP-A	MS	DCA	Mild Steel	234	203	220	D215mm


Model: 6100A

Model: 6120A



Specifications	
Rim	Mild Steel
Body / Housing	MS & DCA
Gear Box	Mild Steel
Reflector	Anodized Aluminium
Lampholder	Ceramic (E27 / E40)
Connector	Nylon (3 Way)
Spring	Stainless Steel
Rim - Colour	
MS	White



Model	Power (W)		Reflector Facet		Rim	Body / Housing	Dimension (mm)			
	Quartz Metal Halide / HPS		FF-A	PP-A			D	D2	H	
6100A	1 x 70W	1 x 150W	FF-A	PP-A	Mild Steel	MS & DCA	256	227	330	D230mm
6120A	1 x 250W	1 x 400W	FF-A	PP-A	Mild Steel	MS & DCA	298	266	340	D265mm

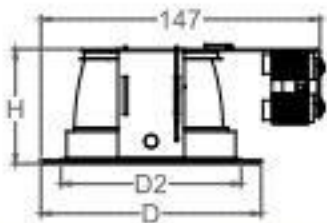
Recessed Horizontal Downlights

Compact Fluorescent Lamps - **G24d/q**

Model: 7300



Specifications	
Rim	MS / DCA
Body / Housing	Mild Steel
Reflector	Anodized Aluminium
Lampholder	Polycarbonate (G24d/q)
Connector	Nylon (3 Way)
Spring	Stainless Steel
Rim - Colour	
MS	White / Chrome
DCA	White
Optional	
Gear Box	Mild Steel



Model	Power (W)		Reflector Facet	Rim			Dimension (mm)			Logo	
	CFL						D	D2	H		
7300	1 x 10W		PR-A	Mild Steel	DCA		Mild Steel	116	95	60	D100mm

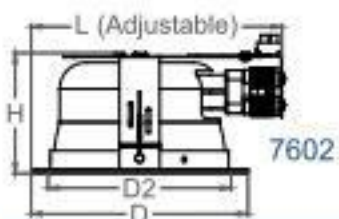
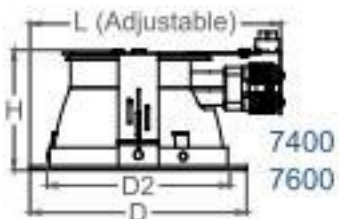
Model: 7400

Model: 7600

Model: 7602



Specifications	
Rim	MS / DCA / SS
Body / Housing	Mild Steel
Reflector	Anodized Aluminium
Lampholder	Polycarbonate (G24d/q)
Connector	Nylon (3 Way)
Spring	Stainless Steel
Rim / Frame - Colour	
MS	White / Chrome
DCA	White
SS	Natural
Optional	
Gear Box	Mild Steel



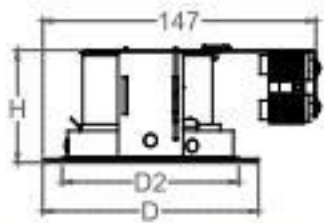
Model	Power (W)		Reflector Facet				Rim			Dimension (mm)				Logo
	CFL									D	D2	H	L	
7400	1 x 13W	1 x 18W	TP-A				MS	DCA	SS	140	115	80	165	D125mm
7600	1 x 18W	2 x 18W	TP-A				MS	DCA	SS	172	145	95	200	D160mm
7602	1 x 18W	2 x 18W	RP-A	RH-A	PP-A	FF-A	MS	DCA	-	172	145	95	200	D160mm


Remark: MS = Mild Steel / DCA = Die Cast Aluminium / SS = Stainless Steel

Model: 7301



Specifications	
Rim	MS / DCA
Body / Housing	Mild Steel
Reflector	Anodized Aluminium
Lampholder	Polycarbonate (G24d/q)
Connector	Nylon (3 Way)
Spring	Stainless Steel
Diffuser	Frosted Glass
Rim - Colour	
MS	White / Chrome
DCA	White
Optional	
Gear Box	Mild Steel



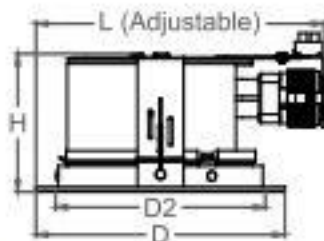
Model	Power (W)		Reflector Facet		Rim		Body / Housing	Dimension (mm)			
	CFL		Q-20-P	Q-20-F	MS	DCA		D	D2	H	
7301	1 x 10W		Q-20-P	Q-20-F	Mild Steel	DCA	Mild Steel	116	95	60	D100mm


Model: 7401

Model: 7601



Specifications	
Rim	MS / DCA / SS
Body / Housing	Mild Steel
Reflector	Anodized Aluminium
Lampholder	Polycarbonate (G24d/q)
Connector	Nylon (3 Way)
Spring	Stainless Steel
Diffuser	Frosted Glass
Rim - Colour	
MS	White / Chrome
DCA	White
SS	Natural
Optional	
Gear Box	Mild Steel



Model	Power (W)		Reflector Facet	Rim			Dimension (mm)				
	CFL			MS	DCA	SS	D	D2	H	L	
7401	1 x 13W	1 x 18W	Q-27-P	MS	DCA	SS	140	115	80	165	D125mm
7601	1 x 18W	2 x 18W	Q-30-P	MS	DCA	SS	172	145	95	200	D160mm

Recessed Horizontal Downlights

Compact Fluorescent Lamps - G24d/q

Model: 7606

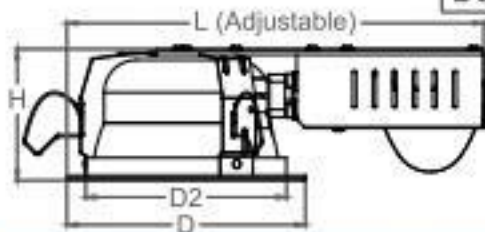
Model: 7606RC

Model: 7808

Model: 7900



Specifications	
Rim	MS / DCA
Body / Housing	Mild Steel
Reflector	Anodized Aluminium
Lampholder	Polycarbonate (G24d/q)
Connector	Nylon (3 Way)
Spring	Stainless Steel
Rim - Colour	
MS	White / Chrome (7606)
DCA	White



Model	Power (W) CFL	Reflector Facet					Rim		Dimension (mm)				⚡
									D	D2	H	L	
7606	2 x 18W	PP-A	FF-A	FS-A	RH-A	TH-V	MS	DCA	190	160	105	332	D175mm
7606RC	2 x 18W	RFH-A					MS	DCA	190	160	130	332	D175mm
7808	2 x 26W	PP-A	FS-A	PS-A	RS-A	RH-A	MS	DCA	210	185	130	342	D200mm
		FF-A	RP-A	-	-	-							
7900	2 x 26W	PP-A	FF-A	-	-	-	MS	DCA	234	203	150	354	D215mm

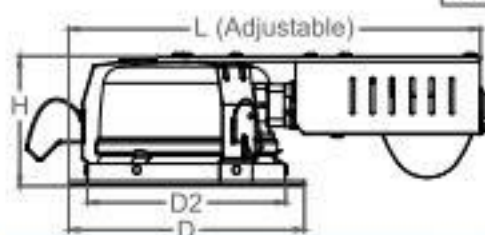
Model: 7628

Model: 7828

Model: 7928



Specifications	
Rim	MS / DCA
Body / Housing	Mild Steel
Reflector	Anodized Aluminium
Lampholder	Polycarbonate (G24d/q)
Connector	Nylon (3 Way)
Spring	Stainless Steel
Diffuser	Frosted Glass
Rim - Colour	
MS	White / Chrome (7628)
DCA	White



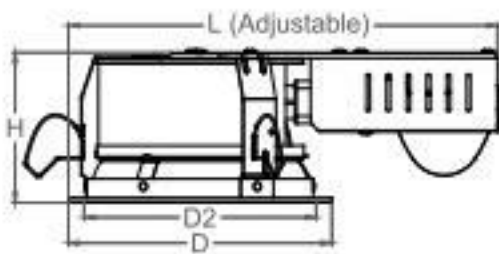
Model	Power (W) CFL	Reflector Facet			Rim		Dimension (mm)				⚡
							D	D2	H	L	
7628	2 x 18W	Q-35-P	Q-35-R	-	MS	DCA	190	160	105	332	D175mm
7828	2 x 26W	Q-45-P	Q-45-R	Q-45-F	MS	DCA	210	185	120	354	D200mm
7928	2 x 26W	Q-55-P	-	-	MS	DCA	234	203	130	342	D215mm


Remark: MS = Mild Steel / DCA = Die Cast Aluminium

Model: 7804



Specifications	
Rim	MS / DCA
Body / Housing	Mild Steel
Reflector	Anodized Aluminium
Lampholder	Polycarbonate (G24d/q)
Connector	Nylon (3 Way)
Spring	Stainless Steel
Rim - Colour	
MS	White / Chrome
DCA	White

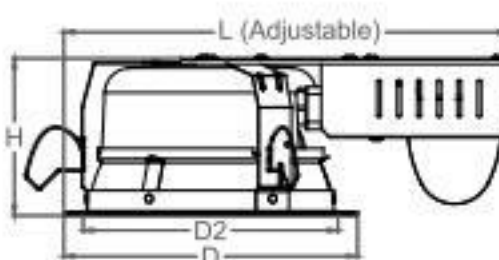


Model	Power (W)		Reflector Facet	Rim		Dimension (mm)				
	CFL					D	D2	H	L	
7804	2 x 18W	2 x 26W	Q-45-P4	MS	DCA	215	185	120	342	D200mm

Model: 7906



Specifications	
Rim	MS / DCA
Body / Housing	Mild Steel
Reflector	Anodized Aluminium
Lampholder	Polycarbonate (G24d/q)
Connector	Nylon (3 Way)
Spring	Stainless Steel
Rim - Colour	
MS	White
DCA	White



Model	Power (W)		Reflector Facet	Rim		Dimension (mm)				
	CFL					D	D2	H	L	
7906	2 x 18W	2 x 26W	Q-60-P6	MS	DCA	234	203	125	354	D215mm

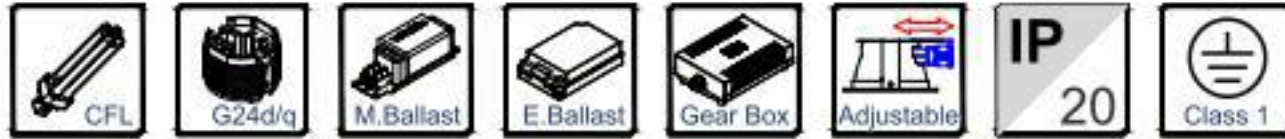
Recessed Horizontal Downlights

Compact Fluorescent Lamps - **G24d/q**

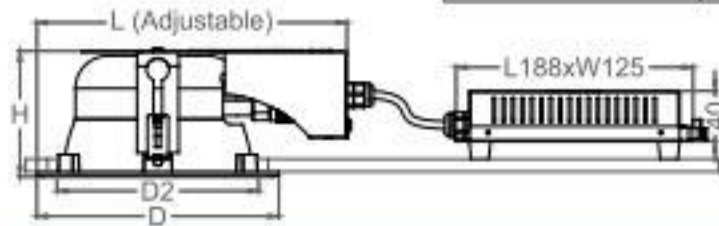
Model: 175100

Model: 175130

Model: 215150



Specifications	
Rim	MS / DCA / SS
Body / Housing	Mild Steel
Gear Box	Mild Steel
Reflector	Anodized Aluminium
Lampholder	Polycarbonate (G24d/q)
Connector	Nylon (3 Way)
Spring	Stainless Steel
Rim - Colour	
MS	White / Chrome
DCA	White
SS	Natural



Model	Power (W) CFL	Reflector Facet					Rim			Dimension (mm)				Logo
		PP-A	FF-A	FS-A	RH-A	TH-V	MS	DCA	SS	D	D2	H	L	
175100	2 x 18W	PP-A	FF-A	FS-A	RH-A	TH-V	MS	DCA	SS	192	160	100	246	D175mm
175130	2 x 18W	RFH-A					MS	DCA	-	192	160	130	246	D175mm
215150	2 x 26/42W	PP-A	RH-A	RP-A	EP-A	FF-A	MS *	DCA	-	230	203	145	265	D215mm

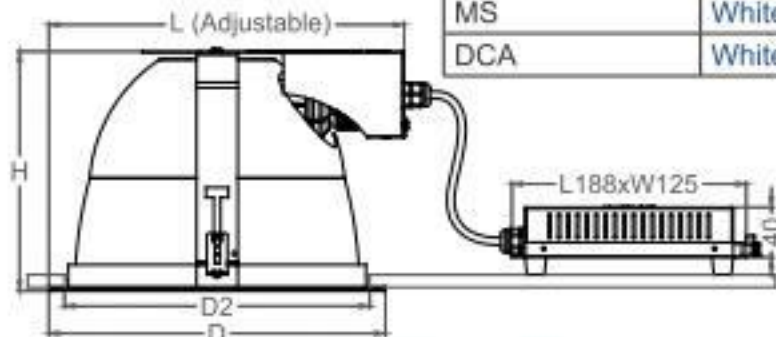
* 215150 No Chrome

Model: 230150

Model: 245190



Specifications	
Rim	Mild Steel
Body / Housing	Mild Steel
Gear Box	Mild Steel
Reflector	Anodized Aluminium
Lampholder	Polycarbonate (G24d/q)
Connector	Nylon (3 Way)
Spring	Stainless Steel
Rim - Colour	
MS	White
DCA	White



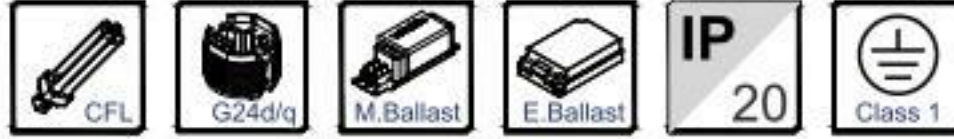
Model	Power (W)		Reflector Facet	Rim	Dimension (mm)				Logo
	CFL	CFL-T			D	D2	H	L	
230150	2 x 26W	2 x 42W	FF-A	Mild Steel	256	227	150	298	D230mm
245190	2 x 26W	2 x 32W / 42W	EP-A	Mild Steel	270	245	192	285	D245mm

Remark: MS = Mild Steel / DCA = Die Cast Aluminium / SS = Stainless Steel

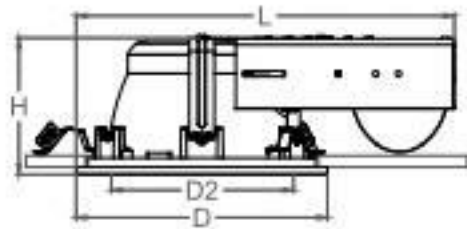
Ultimate Lighting Experience

Model: CN608

Model: CN808



Specifications	
Rim	Polycarbonate
Body / Housing	MS / SS
Reflector	Anodized Aluminium
Lampholder	Polycarbonate (G24d/q)
Connector	Nylon (3 Way)
Spring	Stainless Steel
Diffuser	Semi-Frosted Glass
Rim - Colour	
PC	White
Body / Housing - Colour	
MS	Black
SS	Natural

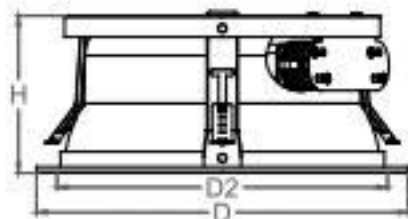


Model	Power (W)		Reflector Facet	Rim	Body / Housing		Dimension (mm)				Diameter
	CFL				MS	SS	D	D2	H	L	
CN608	2 x 18W		PF-A	Polycarbonate	MS	SS	200	145	110	300	D185mm
CN808	2 x 26W		PF-A	Polycarbonate	MS	SS	241	185	130	340	D225mm

Model: 7120



Specifications	
Rim	Mild Steel
Body / Housing	Mild Steel
Reflector	Anodized Aluminium
Lampholder	Polycarbonate (G24d/q)
Connector	Nylon (3 Way)
Spring	Stainless Steel
Rim - Colour	
MS	White
Optional	
Gear Box	Mild Steel



Model	Power (W)		Reflector Facet	Rim	Dimension (mm)				Diameter
	CFL	CFL-T			D	D2	H		
7120	2 x 26W	2 x 42W	TH-A	Mild Steel	298	265	126	D265mm	

Recessed Wall Washer Downlights

CFL / Halogen PAR Lamps - G24d/q / E27

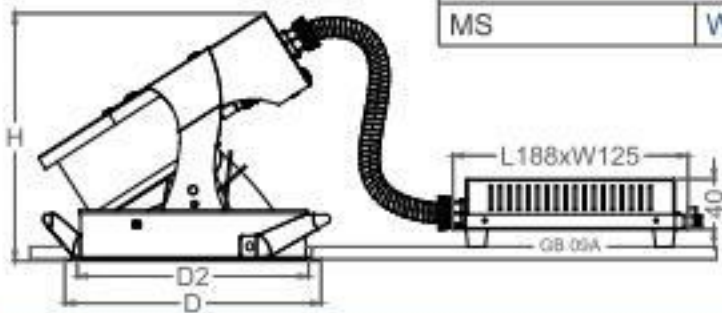
Model: 4213

Model: 4218

Model: 4226



Specifications	
Rim	Mild Steel
Body / Housing	Mild Steel
Gear Box	Mild Steel
Reflector	Anodized Aluminium
Lampholder	Polycarbonate (G24d/q)
Connector	Nylon (3 Way)
Spring	Stainless Steel
Diffuser	Semi-Frosted Glass
Rim - Colour	
MS	White



Model	Power (W)		Reflector Facet	Rim	Housing	Dimension (mm)			⚡
	CFL					D	D2	H	
4213	2 x 13W		PP-A	Mild Steel	Mild Steel	165	145	180	D150mm
4218	2 x 18W		PP-A	Mild Steel	Mild Steel	205	185	200	D190mm
4226	2 x 26W		PP-A	Mild Steel	Mild Steel	250	227	220	D235mm

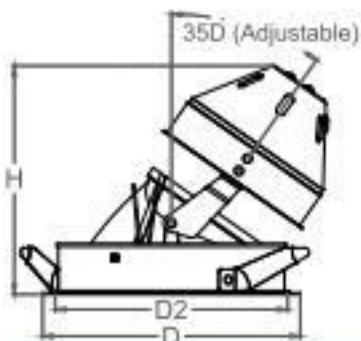
Model: 4120

Model: 4130

Model: 4138



Specifications	
Rim	Mild Steel
Inner Rim	Die Cast Aluminium
Housing	Mild Steel
Reflector	Anodized Aluminium
Lampholder	Ceramic (E27)
Connector	Nylon (3 Way)
Spring	Stainless Steel
Rim - Colour	
MS	White



Model	Power (W)			Reflector Facet	Rim	Housing	Dimension (mm)			⚡
	Type	Halogen	LED				D	D2	H	
4120	PAR20	1 x 50W	-	PP-A	MS	MS	165	145	165	D150mm
4130	PAR30	1 x 75W	1 x 12W	PP-A	MS	MS	205	185	185	D190mm
4138	PAR38	1 x 120W	1 x 17W	PP-A	MS	MS	250	227	230	D235mm

Remark: MS = Mild Steel / DCA = Die Cast Aluminium

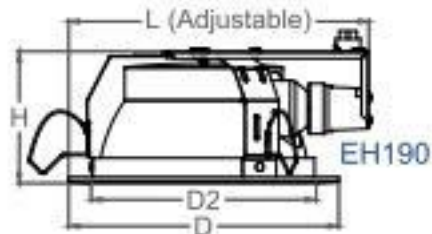
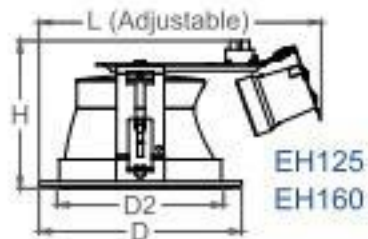
Model: EH125


Model: EH160

Model: EH190



Specifications	
Rim	Mild Steel
Body / Housing	Mild Steel
Reflector	Anodized Aluminium
Lampholder	Ceramic (E27)
Connector	Nylon (3 Way)
Spring	Stainless Steel
Rim - Colour	
Mild Steel	White / Chrome



Model	Power (W)			Reflector Facet	Rim	Dimension (mm)				
	CFLi-U	CFLi-S				D	D2	H	L	
EH125	1 x 18W	1 x 22W		TPH-A	Mild Steel	140	115	102	195	D125mm
EH160	2 x 18W	1 x 30W	2 x 22W	TPH-A	Mild Steel	179	145	115	205	D160mm
EH190	2 x 18W	2 x 30W	2 x 22W	TPH-A	Mild Steel	210	175	105	248	D190mm

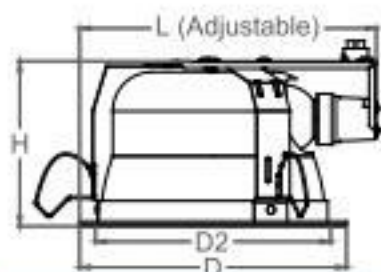
Model: EH175


Model: EH200

Model: EH215



Specifications	
Rim	Mild Steel
Body / Housing	Mild Steel
Reflector	Anodized Aluminium
Lampholder	Ceramic (E27)
Connector	Nylon (3 Way)
Spring	Stainless Steel
Rim - Colour	
Mild Steel	White / Chrome (EH175)



Model	Power (W)			Reflector Facet			Rim	Dimension (mm)				
	CFLi-U	CFLi-S		PP-A	FF-A	RH-A		D	D2	H	L	
EH175	2 x 18W	1 x 30W	2 x 22W	PP-A	FF-A	RH-A	MS	190	160	105	238	D175mm
EH200	2 x 18W	2 x 30W	2 x 22W	PP-A	FF-A	RH-A	MS	210	185	130	248	D200mm
EH215	2 x 18W	2 x 30W	2 x 22W	PP-A	FF-A	-	MS	234	203	130	260	D215mm

Remark: MS = Mild Steel

Recessed Horizontal Downlights

Compact Fluorescent Lamp integrated - **E27**

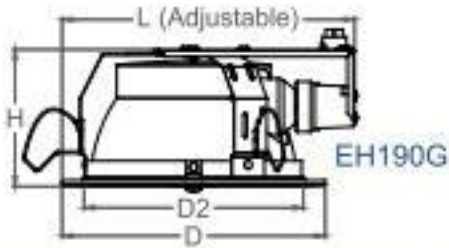
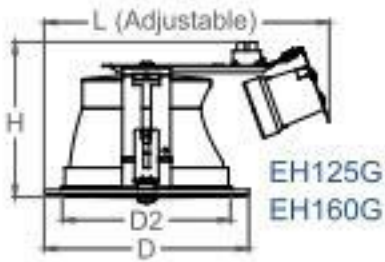
Model: EH125G

Model: EH160G

Model: EH190G



Specifications	
Rim	Mild Steel
Body / Housing	Mild Steel
Reflector	Anodized Aluminium
Lampholder	Ceramic (E27)
Connector	Nylon (3 Way)
Spring	Stainless Steel
Diffuser	Semi-Frosted Glass
Rim - Colour	
Mild Steel	White / Chrome



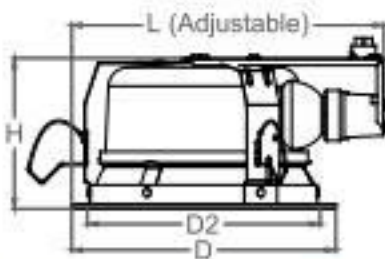
Model	Power (W)			Reflector Facet	Rim	Dimension (mm)				⚡
	CFLI-U	CFLI-S				D	D2	H	L	
EH125G	1 x 18W		1 x 22W	TPH-A	Mild Steel	140	115	106	195	D125mm
EH160G	2 x 18W	1 x 30W	2 x 22W	TPH-A	Mild Steel	179	145	120	205	D160mm
EH190G	2 x 18W	2 x 30W	2 x 22W	TPH-A	Mild Steel	210	175	109	248	D190mm

Model: EH175G

Model: EH200G



Specifications	
Rim	MS / DCA / SS
Body / Housing	Mild Steel
Reflector	Anodized Aluminium
Lampholder	Ceramic (E27)
Connector	Nylon (3 Way)
Spring	Stainless Steel
Diffuser	Frosted Glass
Rim - Colour	
MS	White / Chrome (EH175G)
DCA	White
SS	Natural



Model	Power (W)			Reflector Facet		Rim	Dimension (mm)				⚡	
	CFLI-U	CFLI-S					D	D2	H	L		
EH175G	2 x 18W	2 x 22W	Q-35-P	Q-35-R	MS	DCA	SS	190	160	105	223	D175mm
EH200G	2 x 30W	2 x 22W	Q-45-P	Q-45-R	MS	DCA	-	210	185	120	248	D200mm

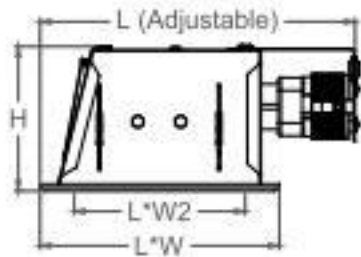
Remark: MS = Mild Steel / DCA = Die Cast Aluminium / SS = Stainless Steel

Model: 8114

Model: 8118


Model: 8213

Model: 8226



Specifications	
Frame	Die Cast Aluminium
Body / Housing	Mild Steel
Top Mirror	Anodized
Lampholder (1)	Polycarbonate (G24d/q)
Lampholder (2)	Ceramic (E27)
Connector	Nylon (3 Way)
Spring	Stainless Steel
Diffuser	Frosted Glass
Frame - Colour	
DCA	White / Matt White / Chrome / Nickel
Optional	
Gear Box	Mild Steel

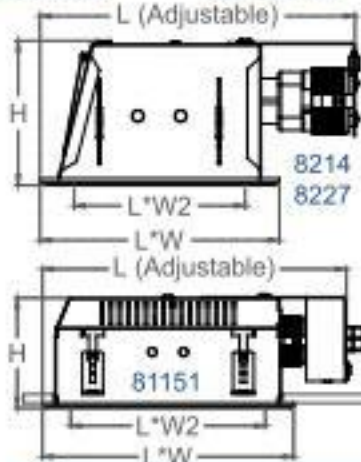


Model	Power (W)		Top Mirror	Frame	Housing	Dimension (mm)				
	CFL	CFLi-U				L*W	L*W2	H	L	
8114	1 x 10W	-	Anodized	DCA *	MS	90 ²	62 ²	75	145	83mm ²
8118	1 x 13W	-	Anodized	DCA *	MS	110 ²	75 ²	85	145	95mm ²
8213	2 x 18W	2 x 18W	Anodized	DCA	MS	140 ²	110 ²	85	175	123mm ²
8226	2 x 26W	2 x 18W	Anodized	DCA	MS	170 ²	125 ²	85	205	153mm ²

Model: 8214


Model: 8227

Model: 81151



Specifications	
Frame	Die Cast Aluminium
Body / Housing	Mild Steel
Reflector	Anodized Aluminium
Lampholder	Polycarbonate (G24d/q)
Connector	Nylon (3 Way)
Spring	Stainless Steel
Frame - Colour	
DCA	White / Matt White / Chrome / Nickel
Optional	
Gear Box	Mild Steel



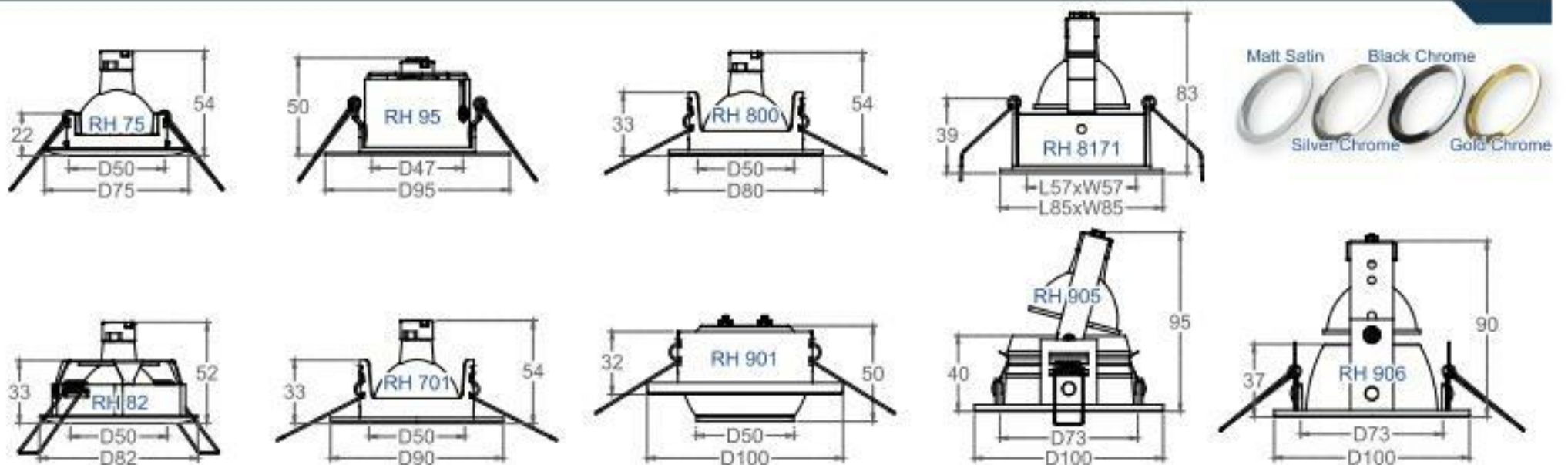
Model	Power (W)		Reflector Facet	Frame	Housing	Dimension (mm)				
	CFL	CFLi-U				L*W	L*W2	H	L	
8214	2 x 18W	2 x 18W	PP-A	DCA	MS	140 ²	100 ²	85	175	123mm ²
8227	2 x 26W	2 x 18W	PP-A	DCA	MS	170 ²	125 ²	85	205	153mm ²
81151	2 x 42W	2 x 30W	PP-A	DCA *	MS	200	155	88	242	183mm ²

Remark: MS = Mild Steel / DCA = Die Cast Aluminium / * = No Chrome & Nickel

Recessed Eyeball Downlights

LED / Halogen MR16 - GU5.3

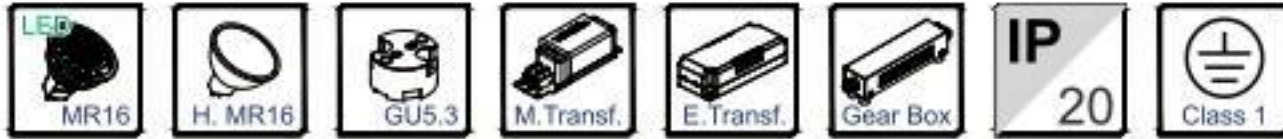
Eyeball



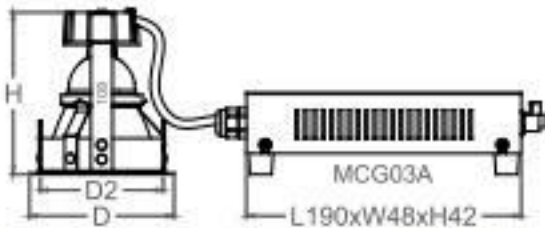
Model	Power (W)		Rim	Colour					Adjustable	Rim Size (mm)	
	H. MR16	LED MR16		White		Gold Chrome					
RH 75	1 x 50W	1 x 4.5W / 6W	DCA	White		Gold Chrome			No	D75	D63mm
RH 82	1 x 50W	1 x 4.5W / 6W	DCA	White		Gold Chrome			Yes	D82	D73mm
RH 95	1 x 35W	1 x 4.5W / 6W	MS	White		Gold Chrome			Yes	D95	D73mm
RH 701	1 x 50W	1 x 4.5W / 6W	MS	White		Gold Chrome			Yes	D90	D70mm
RH 800	1 x 50W	1 x 4.5W / 6W	MS	White	M.Satin	S.C.	B.C.	Gold C.	Yes	D80	D70mm
RH 901	1 x 50W	1 x 4.5W / 6W	MS	White		Gold Chrome			Yes	D100	D80mm
RH 905	1 x 50W	1 x 4.5W / 6W	DCA	White		Gold Chrome			Yes	D100	D85mm
RH 906	1 x 50W	1 x 4.5W / 6W	DCA	White		Gold Chrome			No	D100	D85mm
RH 8171	1 x 50W	1 x 4.5W / 6W	DCA	White		Matt Silver			Yes	L85xW85	75x75mm


Remark: MS = Mild Steel / DCA = Die Cast Aluminium / M. = Matt / C. = Chrome / S. = Silver / B. = Black / G. = Gold

Model: RH 100



Specifications	
Rim	Mild Steel
Housing	Die Cast Aluminium
Gear Box	Mild Steel
Reflector	Anodized Aluminium
Lampholder	Ceramic (GU5.3)
Connector	Nylon (3 Way)
Spring	Stainless Steel
Diffuser	Prismatic Glass
Rim - Colour	
MS	White

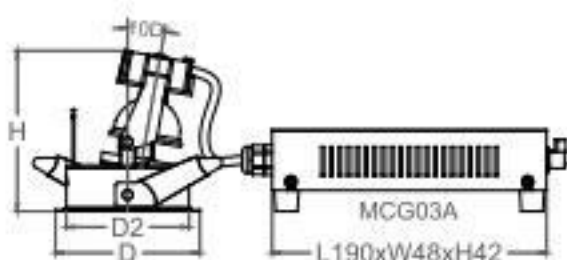


Model	Power (W)		Reflector Facet	Rim	Housing	Dimension (mm)			
	H. MR16	LED MR16				D	D2	H	
RH 100	1 x 50W	1 x 4.5W / 6W	PP-A	Mild Steel	Die Cast Aluminium	100	85	112	D90mm

Model: RH 100/A



Specifications	
Rim	Mild Steel
Inner Rim	Die Cast Aluminium
Housing	Die Cast Aluminium
Gear Box	Mild Steel
Reflector	Anodized Aluminium
Lampholder	Ceramic (GU5.3)
Connector	Nylon (3 Way)
Spring	Stainless Steel
Diffuser	Prismatic Glass
Rim - Colour	
MS	White



Model	Power (W)		Reflector Facet	Rim	Housing	Dimension (mm)			
	H. MR16	LED MR16				D	D2	H	
RH 100/A	1 x 50W	1 x 4.5W / 6W	PP-A	Mild Steel	Die Cast Aluminium	100	85	111	D85mm

Adjustable R. Square Downlights

LED / Halogen MR16 - **GU5.3**

Model: 8MR1/D

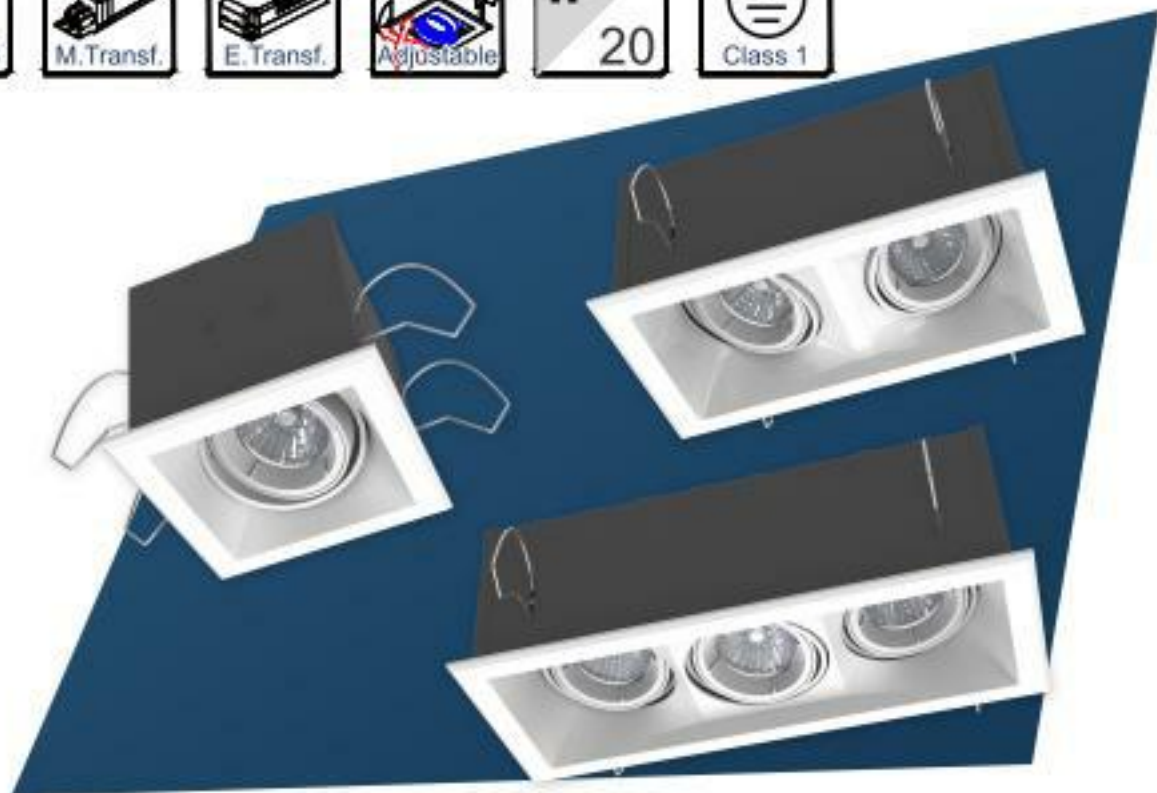
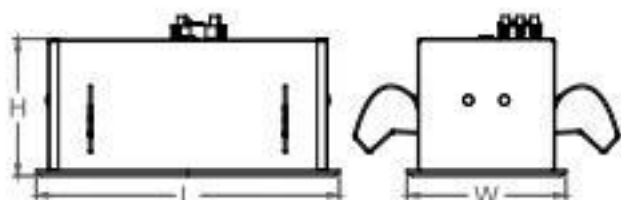


Model: 8MR2/D

Model: 8MR3/D

Specifications

Rim / Frame	Die Cast Aluminium
Housing	Mild Steel
Lampholder	Ceramic (GU5.3)
Connector	Nylon (3 Way)
Spring	Stainless Steel
Rim / Frame - Colour	
DCA	White / M.White / M.Black / M.Silver



Model	Power (W)		Rim / Frame	Housing	Dimension (mm)			
	Halogen MR16	LED MR16			L	W	H	
8MR1/D	1 x 50W	1 x 4.5W / 6W	DCA	MS	110	110	95	97x97mm
8MR2/D	2 x 50W	2 x 4.5W / 6W	DCA	MS	210	110	95	197x97mm
8MR3/D	3 x 50W	3 x 4.5W / 6W	DCA	MS	275	110	95	262x97mm

Model: 8MR1/F

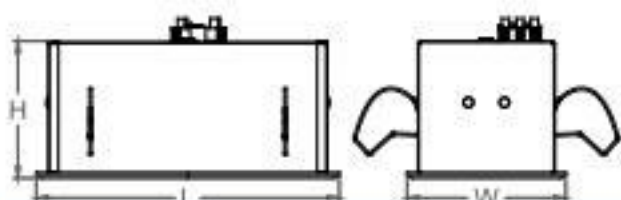


Model: 8MR2/F

Model: 8MR3/F

Specifications

Rim / Frame	Die Cast Aluminium
Housing	Mild Steel
Lampholder	Ceramic (GU5.3)
Connector	Nylon (3 Way)
Spring	Stainless Steel
Rim / Frame - Colour	
DCA	White / M.White / M.Black / M.Silver



Model	Power (W)		Rim / Frame	Housing	Dimension (mm)			
	Halogen MR16	LED MR16			L	W	H	
8MR1/F	1 x 50W	1 x 4.5W / 6W	DCA	MS	110	110	95	97x97mm
8MR2/F	2 x 50W	2 x 4.5W / 6W	DCA	MS	210	110	95	197x97mm
8MR3/F	3 x 50W	3 x 4.5W / 6W	DCA	MS	275	110	95	262x97mm

Remark: MS = Mild Steel / DCA = Die Cast Aluminium / M. = Matt

Model: 8AR1

Model: 8AR3

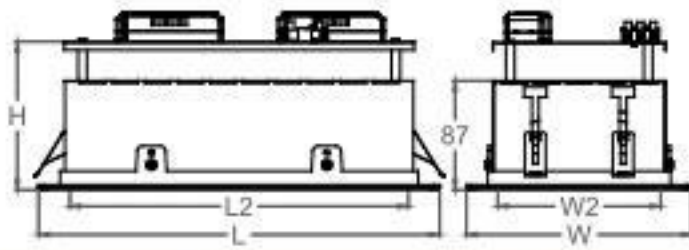
Model: 8AR2


Model: 8AR5



Specifications

Frame	DCA / MS
Rim	DCA
Housing	Mild Steel
Connector	Nylon (3 Way)
Spring	Stainless Steel
Rim / Frame - Colour	
DCA / MS	M. Black / White / M. White



Model	Power (W)			Frame	Housing	Dimension (mm)					
	H. AR111	LED AR111	LED CN111			L	L2	W	W2	H	
8AR1	1 x 50W	1 x 12W	1 x 33.5W	DCA	MS	180	130	180	130	120	150x150mm
8AR2	2 x 50W	2 x 12W	2 x 33.5W	DCA	MS	320	270	180	130	120	290x150mm
8AR3	3 x 50W	3 x 12W	3 x 33.5W	DCA	MS	460	410	180	130	120	430x150mm
8AR5	4 x 50W	4 x 12W	4 x 33.5W	MS	MS	356	295	356	295	120	325x325mm

Model: 8CDM1

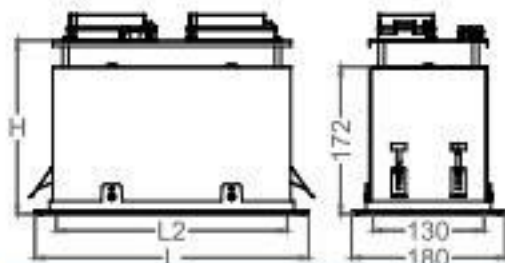
Model: 8CDM3

Model: 8CDM2



Specifications

Rim / Frame	Die Cast Aluminium
Housing	Mild Steel
Lampholder	Ceramic (E27)
Connector	Nylon (3 Way)
Spring	Stainless Steel
Rim / Frame - Colour	
DCA	M. Black / White / M. White



Model	Power (W)		AC Input (LED PAR30 Only)	Frame	Housing	Dimension (mm)			
	HID-PAR30	LED PAR30				L	L2	W	
8CDM1	1 x 35W / 70W	1 x 12W / 13W	220~240V, 50/60Hz	DCA	MS	180	130	200	150x150mm
8CDM2	2 x 35W / 70W	2 x 12W / 13W	220~240V, 50/60Hz	DCA	MS	320	270	200	290x150mm
8CDM3	3 x 35W / 70W	3 x 12W / 13W	220~240V, 50/60Hz	DCA	MS	460	410	200	430x150mm

Surface Ceiling Lights

FCL / CFLi / Halogen / LED MR16 - G10q / GU5.3

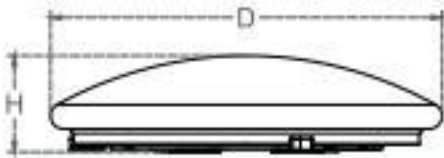
Model: SR500

Model: SR501

Model: SR502



Specifications	
Base Plate	Mild Steel
Diffuser	Acrylic Opal
Lampholder	Polycarbonate (G10q)
Lamp Clips	GI
Connector	Nylon (3 Way)
Clips	ABS
Built-In Gear Chamber	
Base Plate - Colour	
MS	Matt White



Model	Power (W)				Acrylic Diffuser	Base Plate	Dimension (mm)	
	FCL - T9	CFLi-U	CFLi-S	VIP LED			D	H
SR500	1 x 22W	2 x 18W	2 x 14W	1 x 16W	Opal	Mild Steel	305	75
SR501	1 x 32W	2 x 18W	2 x 22W	1 x 24W	Opal	Mild Steel	390	98
SR502	1 x 40W	2 x 30W	2 x 28W	-	Opal	Mild Steel	500	117

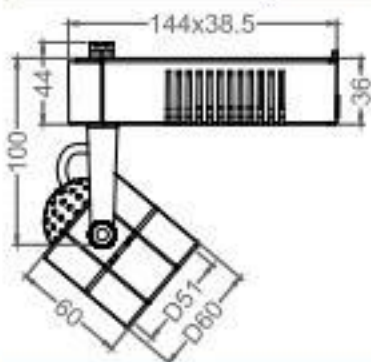
Model: SN2004

Model: SN2005

Model: SN2006



Specifications	
Housing	Mild Steel
Gear Box	Polycarbonate
Lampholder	Ceramic (GU5.3)
Built-In Gear Chamber	
Housing - Colour	
MS	White



Model	Power (W)			Head Shape	Base	Housing	Control Gear Box
	Halogen MR16	LED MR16					
SN2004	1 x 50W	1 x 4.5W	1 x 6W	Octagon	GU5.3	Mild Steel	Polycarbonate
SN2005	1 x 50W	1 x 4.5W	1 x 6W	Round	GU5.3	Mild Steel	Polycarbonate
SN2006	1 x 50W	1 x 4.5W	1 x 6W	Square	GU5.3	Mild Steel	Polycarbonate

Remark: MS = Mild Steel / GI = Galvanized Iron

Model: 3400

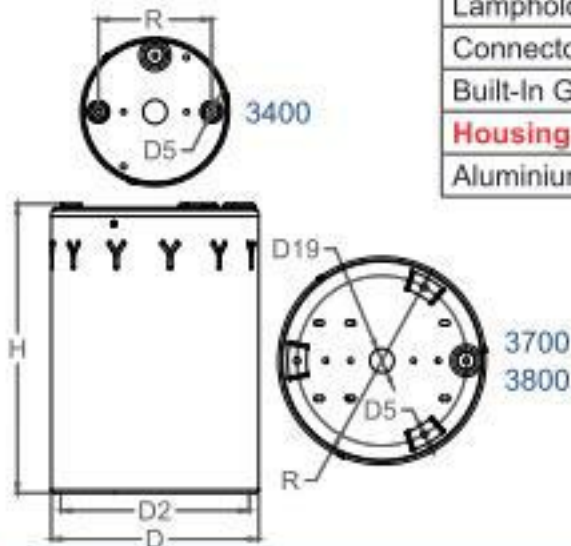
Model: 3700

Model: 3800

Model: 3879SQ



Specifications	
Housing	Aluminium
Reflector	Anodized Aluminium
Lampholder (1)	Polycarbonate (G24d)
Lampholder (2)	Ceramic (E27)
Connector	Nylon (3 Way)
Built-In Gear Chamber	
Housing - Colour	
Aluminium	White / Black



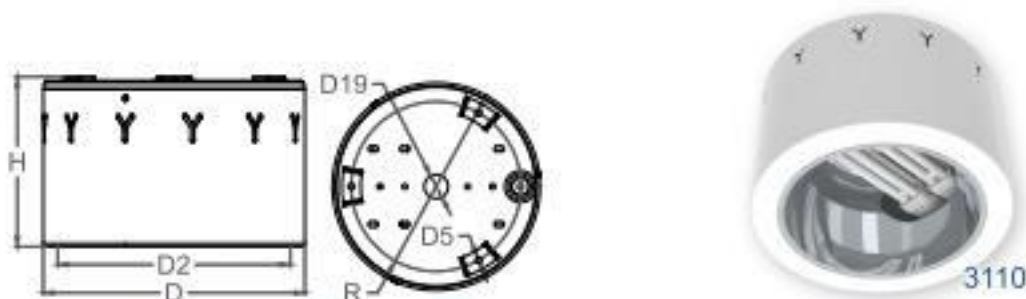
Model	Power (W)			Reflector Facet					Housing	Dimension (mm)			
	CFL	CFLI-U		PP-A	FF-A	FW-A	TP-A	PL-A		D	D2	H	R
3400	1 x 13W	1x18W		PP-A	FF-A	FW-A	TP-A	PL-A	Aluminium	118	104	190	90
3700	1x18W	2x18W	1x18W	PP-A	FF-A	-	-	-	Aluminium	165	150	230	135
3800	1x26W	2x26W	1x30W	PP-A	FF-A	-	-	-	Aluminium	208	195	230	175
3879SQ	1x18W	1x26W	1x30W	FT-A	FR-A	-	-	-	Mild Steel	170 ²	145	230	110 ²

Model: 3805

Model: 3110



Specifications	
Housing	Aluminium
Reflector	Anodized Aluminium
Lampholder (1)	Polycarbonate (G24d/q)
Lampholder (2)	Ceramic (E27)
Connector	Nylon (3 Way)
Built-In Gear Chamber	
Housing - Colour	
Aluminium	White / Black



Model	Power (W)			Reflector Facet				Housing	Dimension (mm)			
	CFL	CFL-T	CFLI-U	PP-A	FF-A	RP-A	EP-A		D	D2	H	R
3805	2x18W	-	1x18W	PP-A	FF-A	-	-	Aluminium	208	185	135	175
3110	2x26W	2x42W	2x30W	PP-A	FF-A	RP-A	EP-A	Aluminium	257	203	160	221

Surface Horizontal Downlights

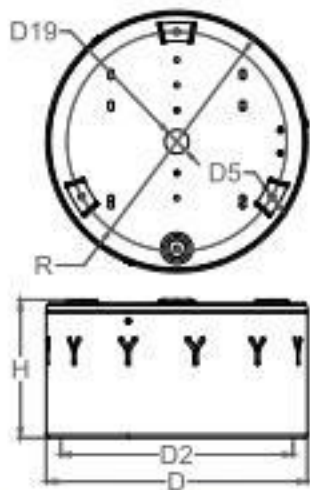
CFL / CFL integrated - **G24d/q / E27**

Model: 3701

Model: 3801



Specifications	
Housing	Aluminium
Top Mirror	Anodized Aluminium
Lampholder (1)	Polycarbonate (G24d)
Lampholder (2)	Ceramic (E27)
Connector	Nylon (3 Way)
Diffuser	Frosted Glass
Built-In Gear Chamber	
Housing - Colour	
Aluminium	White / Black



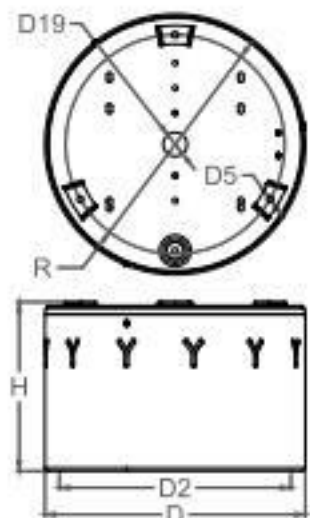
Model	Power (W)			Glass Diffuser	Housing	Dimension (mm)			
	CFL	CFLI-U	CFLI-S			D	D2	H	R
3701	1 x 18W	1 x 13W	1 x 18W	Frosted	Aluminium	165	150	100	135
3801	2 x 18W	2 x 18W	1 x 22W	Frosted	Aluminium	208	195	110	175

Model: 3806

Model: 3112



Specifications	
Housing	Aluminium
Reflector	Anodized Aluminium
Lampholder (1)	Polycarbonate (G24d/q)
Lampholder (2)	Ceramic (E27)
Connector	Nylon (3 Way)
Diffuser	Frosted Glass
Built-In Gear Chamber	
Housing - Colour	
Aluminium	White / Black



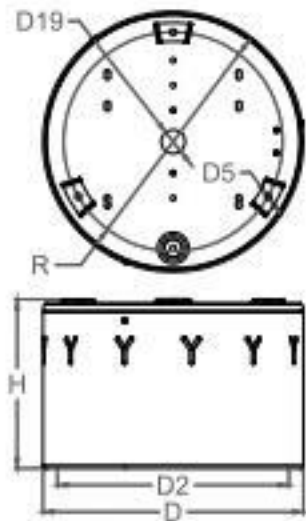
Model	Power (W)				Reflector Facet			Housing	Dimension (mm)			
	CFL	CFL-T	CFLI-U	CFLI-S	Q-45-P	Q-45-R	Q-45-F		D	D2	H	R
3806	2 x 18W	-	1 x 18W	1 x 22W	Q-45-P	Q-45-R	Q-45-F	Aluminium	208	185	135	175
3112	2 x 26W	2 x 42W	2 x 30W	2 x 22W	Q-55-P	-	-	Aluminium	257	203	160	221

Remark: -

Model: 3804

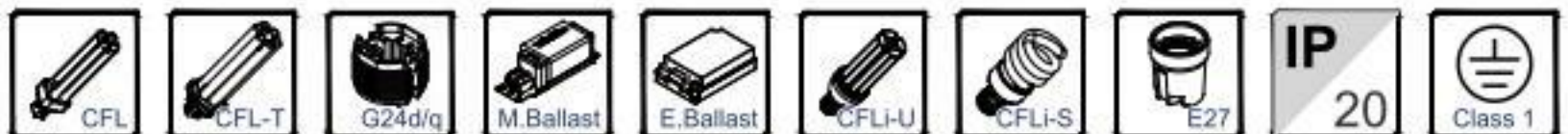


Specifications	
Housing	Aluminium
Reflector	Anodized Aluminium
Lampholder (1)	Polycarbonate (G24d)
Lampholder (2)	Ceramic (E27)
Connector	Nylon (3 Way)
Built-In Gear Chamber	
Housing - Colour	
Aluminium	White / Black

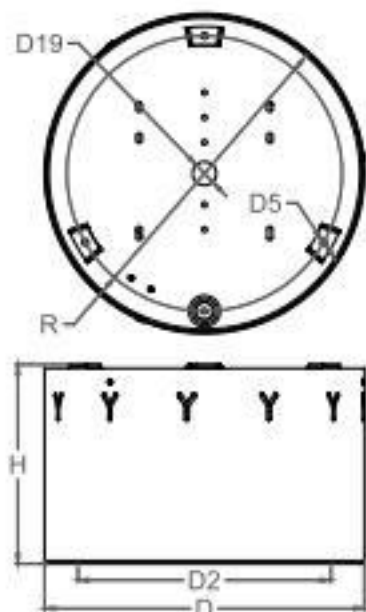


Model	Power (W)		Reflector Facet		Housing	Dimension (mm)			
	CFL	CFLi-U	PP-A	R-A		D	D2	H	R
3804	2 x 18W	1 x 18W	PP-A	R-A	Aluminium	208	185	135	175

Model: 3111



Specifications	
Housing	Aluminium
Reflector	Anodized Aluminium
Lampholder (1)	Polycarbonate (G24d/q)
Lampholder (2)	Ceramic (E27)
Connector	Nylon (3 Way)
Built-In Gear Chamber	
Housing - Colour	
Aluminium	White / Black

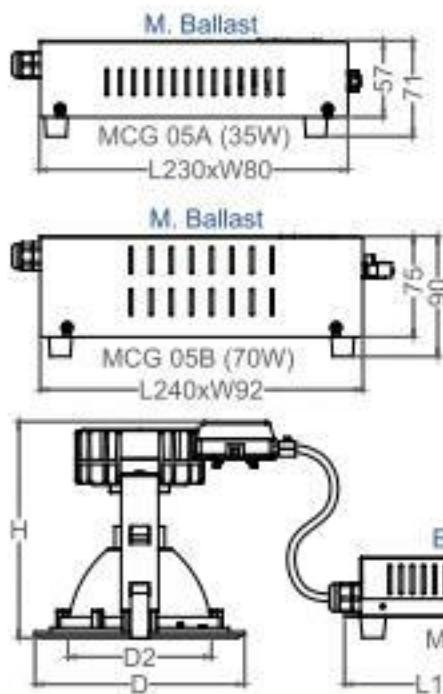


Model	Power (W)				Reflector Facet	Housing	Dimension (mm)				
	CFL	CFL-T	CFLi-U	CFLi-S			D	D2	H	R	
3111	2 x 26W	2 x 42W	2 x 30W	2 x 22W	Q-60-P6	-	Aluminium	257	203	160	221

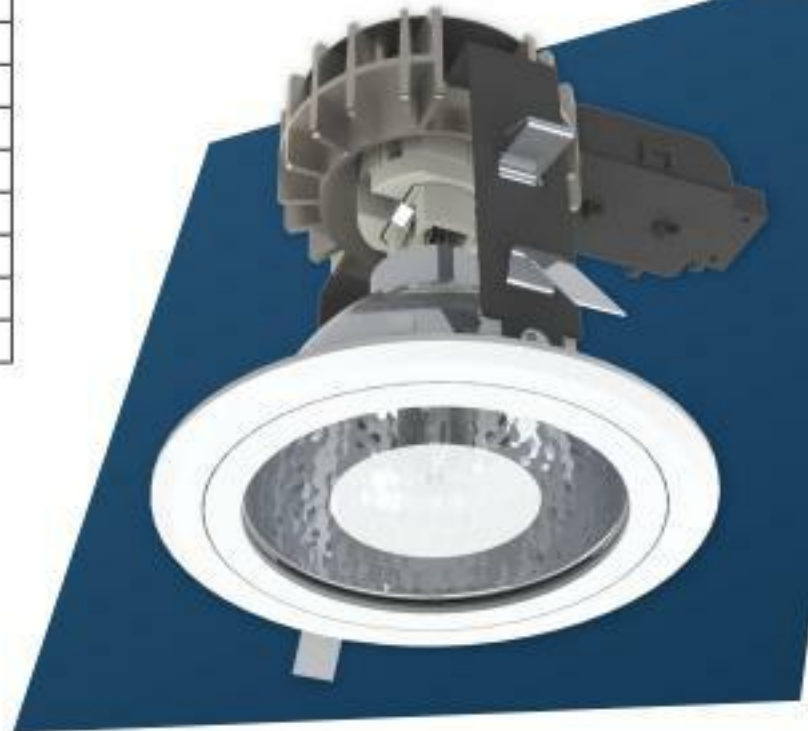
Remark: -

Model: BDH 115/R

Model: BDH 140/R

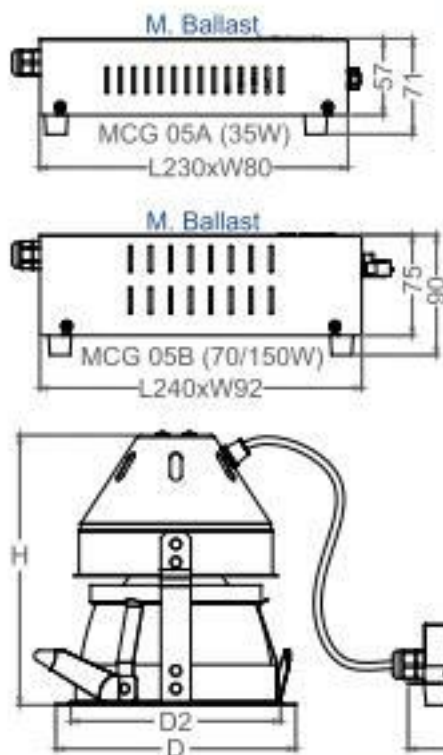


Specifications	
Rim	Die Cast Aluminium
Reflector	Anodized Aluminium
Gear Box	Mild Steel
Lampholder	Ceramic (G8.5 / G12)
Connector	Nylon (3 Way)
Diffuser	Semi-Frosted T. Glass
Rim - Colour	
DCA	M. White / Beige (9016)



Model	Lamp		Reflector Facet	Rim	Base	Dimension (mm)			⚡
	Type	Power (W)				D	D2	H	
BDH 115/R-HID-TC	HID-TC	1 x 35W / 1 x 70W	BB-A	DCA	G8.5	115	80	125	D104mm
BDH 140/R-HID-T	HID-T	1 x 35W / 1 x 70W	BB-A	DCA	G12	140	96	145	D127mm

Model: BDH 160/R

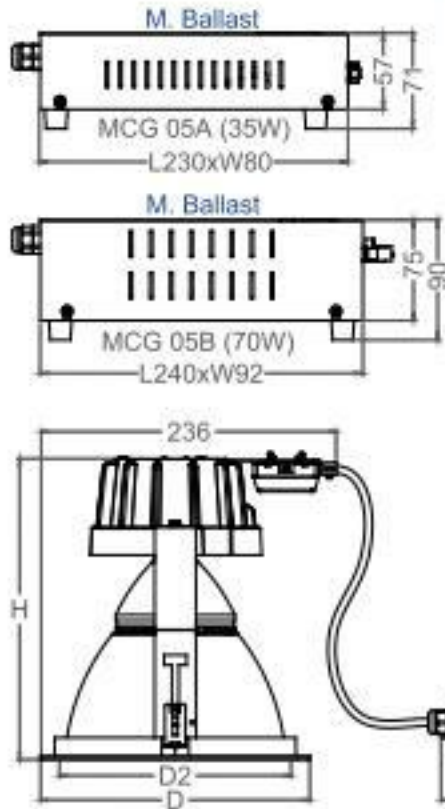


Specifications	
Rim	Mild Steel
Housing	Mild Steel
Gear Box	Mild Steel
Reflector	Anodized Aluminium
Lampholder	Ceramic (G12 / E27)
Connector	Nylon (3 Way)
Diffuser	Semi-Frosted T. Glass
Rim - Colour	
MS	White / Beige (9016)
Optional	
Lamp	HID-TC (G8.5) - 35/70W



Model	Lamp		Reflector Facet	Rim	Base	Dimension (mm)			⚡
	Type	Power (W)				D	D2	H	
BDH 160/R-HID-T	HID-T	1 x 70W / 1 x 150W	PP-A & SS-A	MS	G12	160	140	200	D145mm
BDH 160/R-HID-PAR30	HID-PAR30	1 x 35W / 1 x 70W	PP-A	MS	E27	160	140	180	D145mm

Model: BDH 215/R

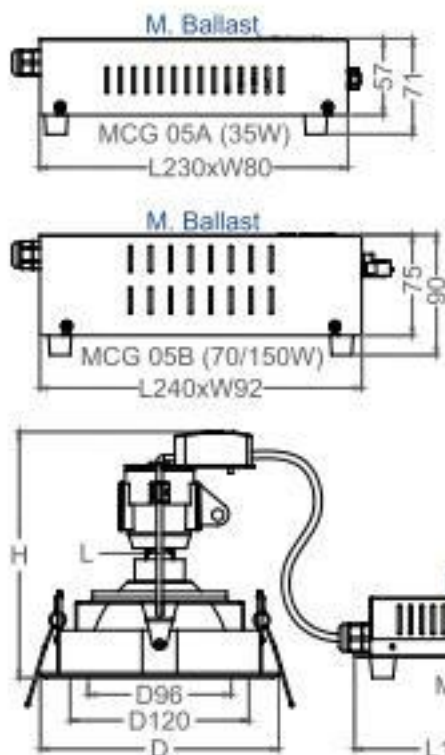


Specifications	
Rim	Die Cast Aluminium
Housing	Die Cast Aluminium
Gear Box	Mild Steel
Reflector	Anodized Aluminium
Lampholder	Ceramic (E27)
Connector	Nylon (3 Way)
Rim - Colour	
DCA	White




Model	Power		Reflector Facet	Rim	Dimension (mm)			
	HID-PAR30				D	D2	H	
BDH 215/R	1 x 35W	1 x 70W	PP-A	DCA	215	185	240	D200mm

Model: BDH 160A/R



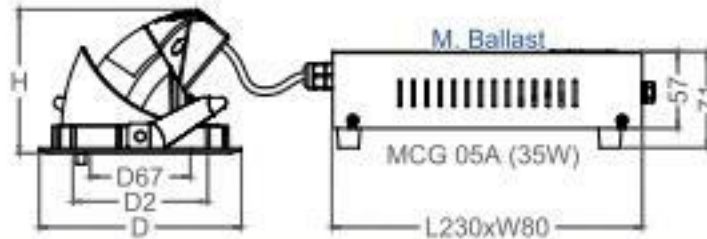
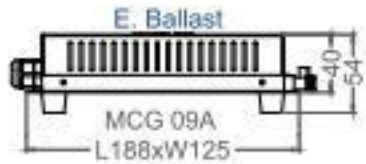
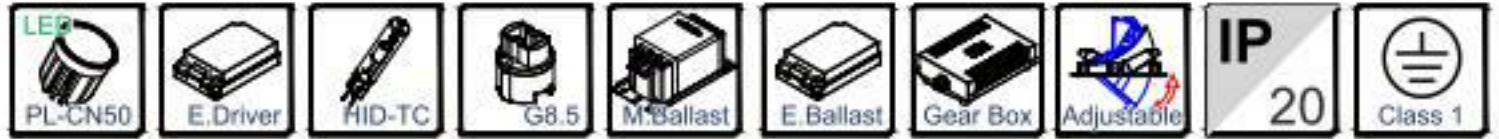
Specifications	
Rim & Housing	Die Cast Aluminium
Reflector	Anodized Aluminium
Gear Box	Mild Steel
Lampholder	Ceramic (G12 / E27)
Connector	Nylon (3 Way)
Diffuser	Semi-Frosted T. Glass
Adjustable Lamp Position (15°)	
Rim - Colour	
DCA	M. White / M. Black



Model	Lamp			Reflector Facet	Rim	Base	Dimension (mm)			
	Type	Power (W)					D	H	L	
BDH 160A/R-HID-T	HID-T	1 x 70W	1 x 150W	BB-A	DCA	G12	160	165	125	D145mm
BDH 160A/R-HID-PAR30	HID-PAR30	1 x 35W	1 x 70W	-	DCA	E27	160	180	135	D145mm

Model: BDH 135A/R

Model: OS 135A/R



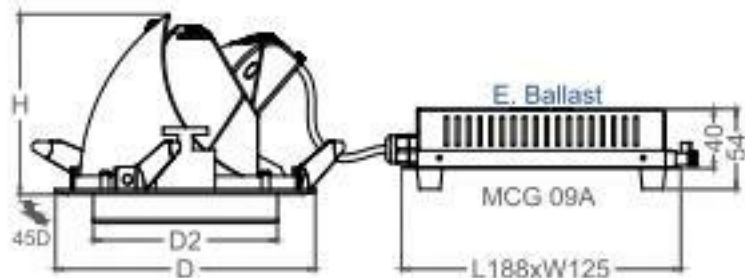
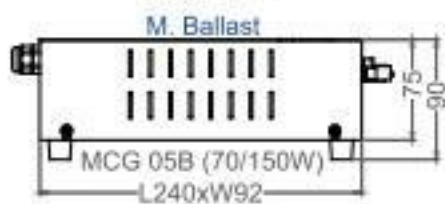
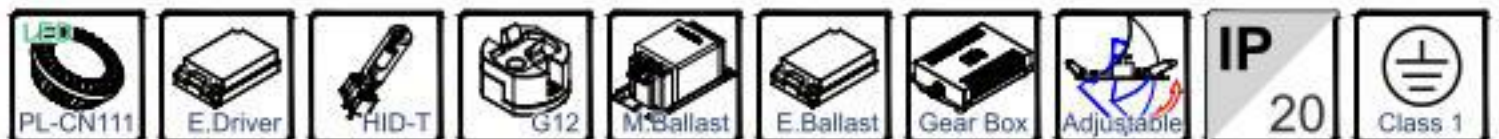
Specifications	
Rim	Die Cast Aluminium
Housing	Die Cast Aluminium
Reflector	Anodized Aluminium
Gear Box	Mild Steel
Lampholder	Ceramic (G8.5)
Connector	Nylon (3 Way)
Diffuser	Semi-Frosted T. Glass
Adjustable Lamp Position (35°)	
Rim & Housing - Colour	
DCA	M. White / M. Black



Model	Lamp		Reflector Facet	Rim & Housing	Base	Dimension (mm)			
	Type	Power (W)				D	D2	H	
BDH 135A/R	HID-TC	1 x 35W / 70W	BB-A	Die Cast Aluminium	G8.5	135	90	96	D125mm
OS 135A/R	LED	1 x 13.5W	FF-A	Die Cast Aluminium	-	135	90	96	D125mm

Model: BDH 175A/R

Model: OS 175A/R



Specifications	
Rim	Die Cast Aluminium
Housing	Die Cast Aluminium
Reflector	Anodized Aluminium
Gear Box	Mild Steel
Lampholder	Ceramic (G12)
Connector	Nylon (3 Way)
Diffuser	Semi-Frosted T. Glass
Adjustable Lamp Position (45°)	
Rim & Housing - Colour	
DCA	M. White / M. Black



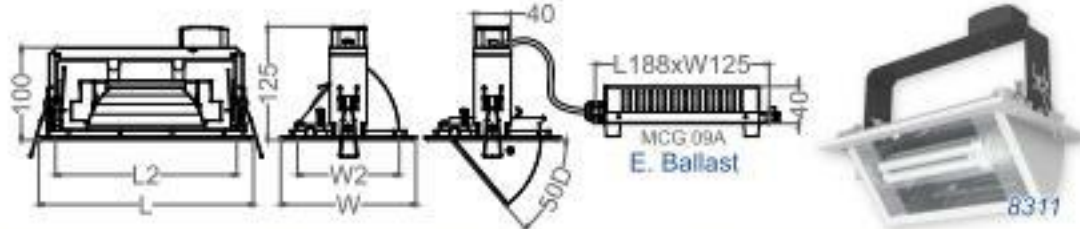
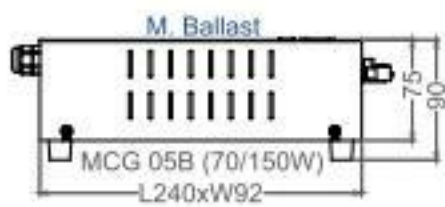
Model	Lamp		Reflector Facet	Rim & Housing	Base	Dimension (mm)			
	Type	Power (W)				D	D2	H	
BDH 175A/R	HID-T	1 x 70W / 150W	BB-A	Die Cast Aluminium	G12	175	125	120	D165mm
OS 175A/R	LED	1 x 22.5W / 33.5W	-	Die Cast Aluminium	-	175	125	120	D165mm

Model: BDH 310A/TG

Model: 8311




Specifications	
Frame	Die Cast Aluminium
Housing	Die Cast Aluminium
Reflector	Anodized Aluminium
Gear Box	Mild Steel
Lampholder (1)	Ceramic
Lampholder (2)	Polycarbonate (G24d/q)
Connector	Nylon (3 Way)
Diffuser	Linear-Frosted T. Glass
Adjustable Lamp Position	(50°)
Frame & Housing - Colour	
DCA	White / Matt White



Unique Reflector Design



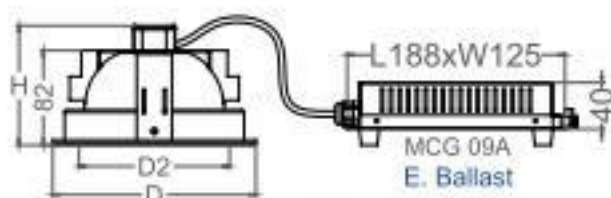
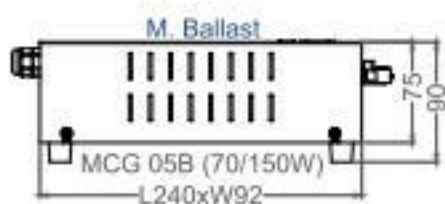
Model	Lamp		Reflector Facet	Frame & Housing	Base	Dimension (mm)				
	Type	Power (W)				L	L1	W	W2	
BDH 310A/TG	HID-TD	1 x 70W / 150W	PP-A	DCA	RX7S / RX7S-24	232	196	146	110	223x130mm
8311	CFL	1 x 18W / 26W	PP-A	DCA	G24d/q	232	196	146	110	223x130mm


Model: BDH 160R/TG

Model: BDH 190R/TG

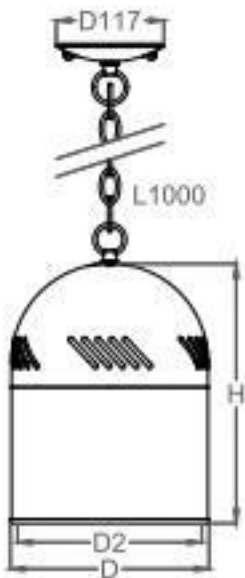


Specifications	
Rim	Die Cast Aluminium
Housing	Mild Steel
Reflector	Anodized Aluminium
Gear Box	Mild Steel
Lampholder	Ceramic
Connector	Nylon (3 Way)
Diffuser	Dot-Frosted T. Glass
Rim - Colour	
DCA	White / Matt White



Model	Power (W)	Reflector Facet	Rim	Housing	Base	Dimension (mm)			
	HID-TD					D	D2	H	
BDH 160A/TG	1 x 70W	FF-A	DCA	MS	RX7S	175	130	105	D160mm
BDH 190A/TG	1 x 150W	FF-A	DCA	MS	RX7S-24	210	165	105	D190mm

Model: MSH DL80

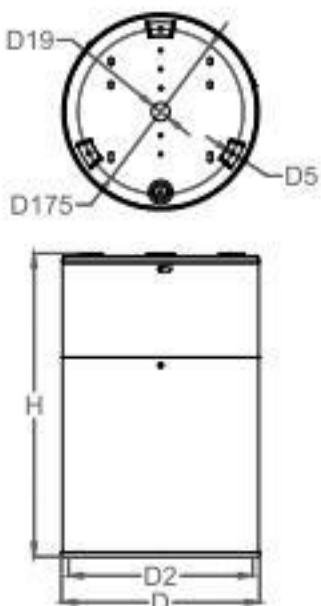
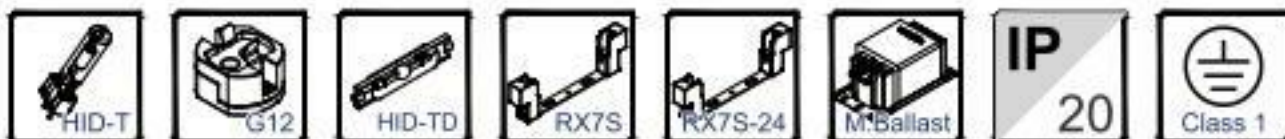


Specifications	
Housing	Aluminium
Reflector	Anodized Aluminium
Lampholder	Ceramic
Connector	Nylon (3 Way)
Diffuser	Tempered Glass
Built-In Gear Chamber	
Pendant Mounted	
Housing - Colour	
Aluminium	White
Optional	
Diffuser	Frosted / Semi-Frosted



Model	Power (W)		Tempered Glass Diffuser		Reflector Facet	Dimension (mm)		
	HID-T / HID-TD		Frosted	Semi-Frosted		D	D2	H
MSH DL80	1 x 70W	1 x 150W			Frosted	Semi-Frosted	Frosted	210

Model: MSH DL81



Specifications	
Housing	Aluminium
Reflector	Anodized Aluminium
Lampholder	Ceramic
Connector	Nylon (3 Way)
Diffuser	Tempered Glass
Built-In Gear Chamber	
Surface Ceiling Mounted	
Housing - Colour	
Aluminium	White
Optional	
Diffuser	Frosted / Semi-Frosted



Model	Power (W)		Tempered Glass Diffuser		Reflector Facet	Dimension (mm)		
	HID-T / HID-TD		Frosted	Semi-Frosted		D	D2	H
MSH DL81 (3808)	1 x 70W	1 x 150W			Frosted	Semi-Frosted	Frosted	210

Remark: -



Track / Ceiling Cap Mounted

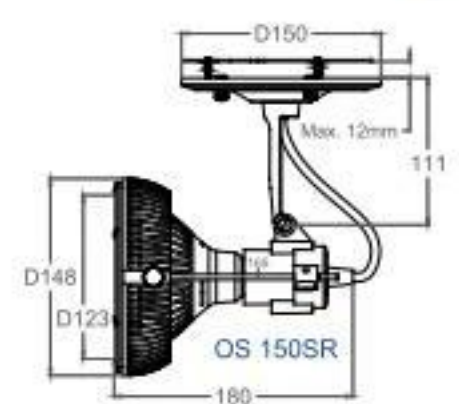
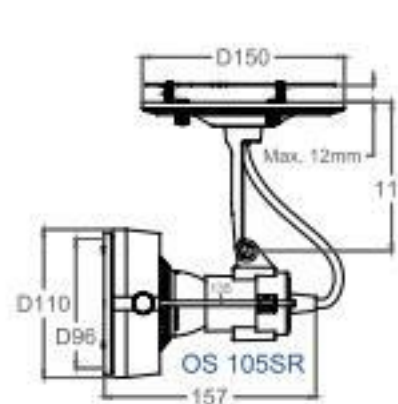
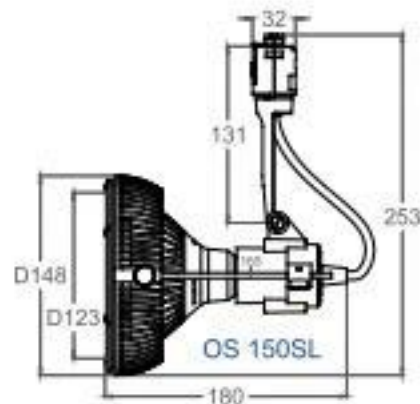
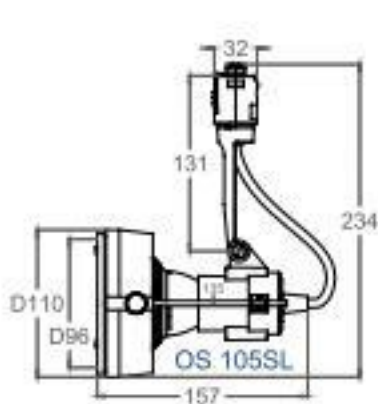


Semi-Recessed Mounted

Specifications

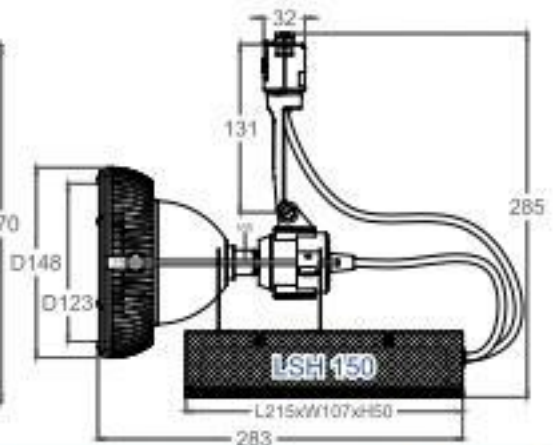
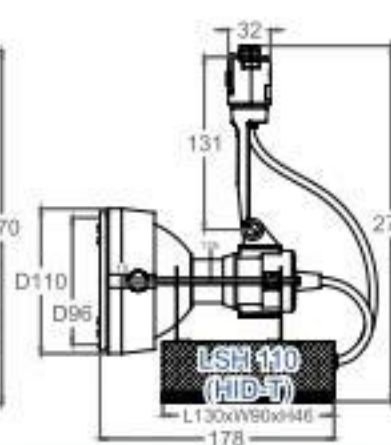
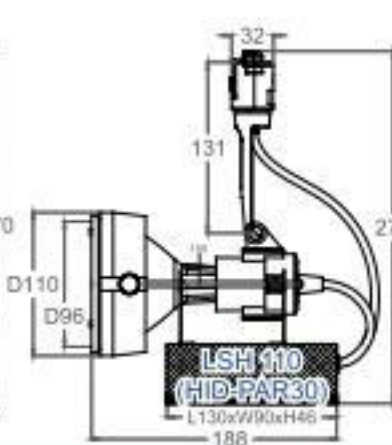
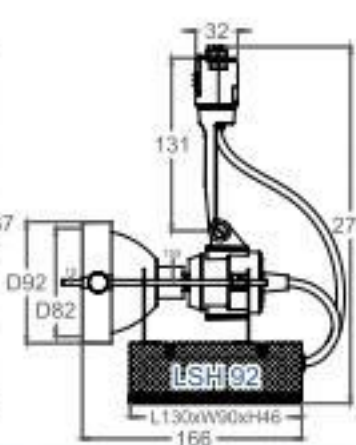
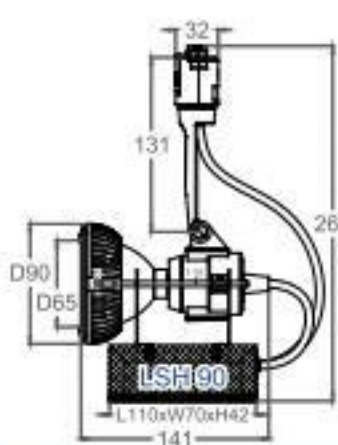
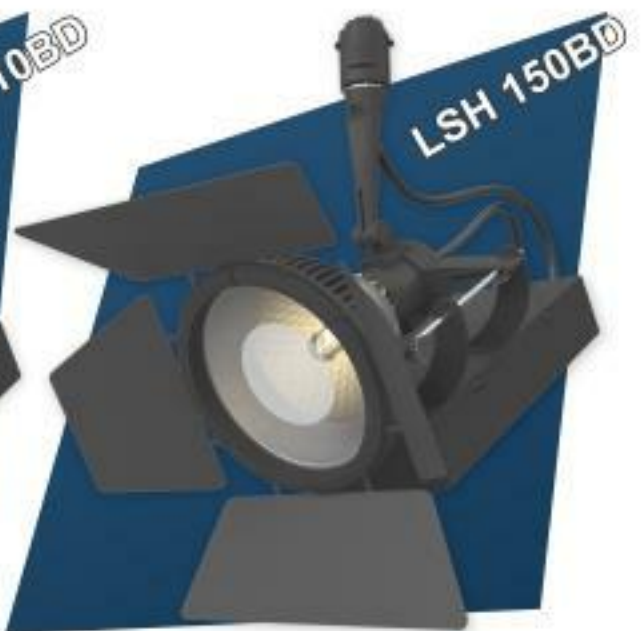
Rim	Die Cast Aluminium
Housing	Die Cast Aluminium
Lampholder	Ceramic (E27)
Adaptor (SL)	Polycarbonate
Mounting Plate (SR)	Mild Steel
Rim / Housing - Colour	
DCA	Matt Black / Matt White
Optional	
MS	Barn Doors

Optional: Barn Doors

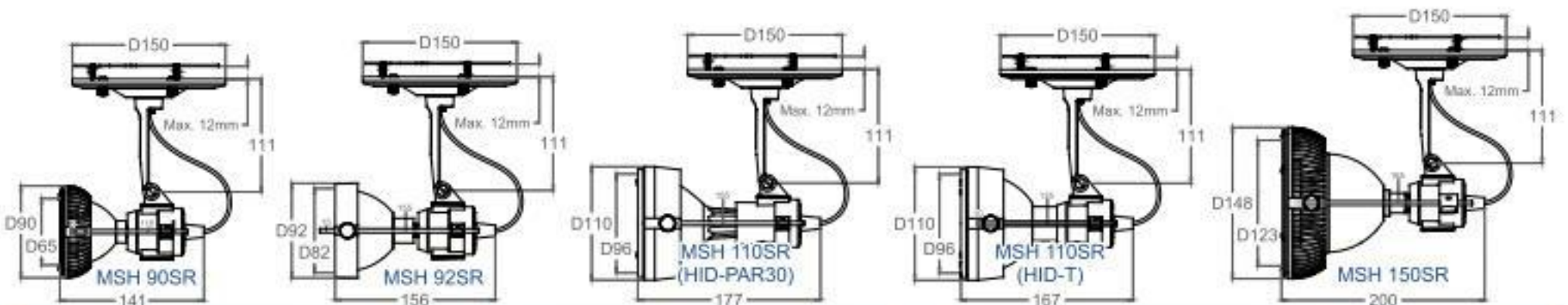


Model	Lamp		Rim	Lamp Holder	Barn Doors (Optional)	Rim Size (mm)	Cut Out Size (mm)
	Type	Power (W)					
OS 105SL-LED PAR30	LED PAR30	1 x 12W 1 x 13W	DCA	E27	BD 110	D110	-
OS 150SL-LED PAR38	LED PAR38	1 x 17W	DCA	E27	BD 150	D148	-
OS 105SR-LED PAR30	LED PAR30	1 x 12W 1 x 13W	DCA	E27	BD 110	D110	D115
OS 150SR-LED PAR38	LED PAR38	1 x 17W	DCA	E27	BD 150	D148	D115

Remark: MS = Mild Steel / DCA = Die Cast Aluminium



Model	Power (W)	Lamp Holder	Rim	Reflector Facet	Gear Box	Barn Doors (Optional)	Colour		Rim Size (mm)
LSH 90-HID-TF	1 x 20W / 35W	GU6.5	DCA	BB-A	MCG 10A	BD 90	M. Black	M. White	D90
LSH 92-HID-TC	1 x 35W / 70W	G8.5	DCA	BB-A	MCG 10B	-	M. Black	M. White	D92
LSH 110-HID-PAR30	1 x 35W / 70W	E27	DCA	-	MCG 10B	BD 110	M. Black	M. White	D110
LSH 110-HID-T	1 x 35W / 70W	G12	DCA	BB-A	MCG 10B	BD 110	M. Black	M. White	D110
LSH 150-HID-T	1 x 70W / 150W	G12	DCA	FB-A	MCG 10C	BD 150	M. Black	M. White	D150

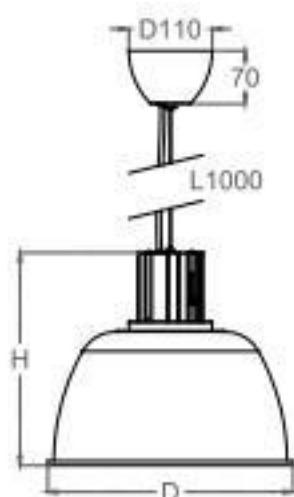


Model	Power (W)	Lamp Holder	Rim	Reflector	Barn Doors (Optional)	Colour		Rim Size (mm)	Cut Out Size (mm)
MSH 90SR-HID-TF	1 x 20W / 35W	GU6.5	DCA	BB-A	BD 90	M. Black	M. White	D90	D115
MSH 92SR-HID-TC	1 x 35W / 70W	G8.5	DCA	BB-A	-	M. Black	M. White	D92	D115
MSH 110SR-HID-PAR30	1 x 35W / 70W	E27	DCA	-	BD 110	M. Black	M. White	D110	D115
MSH 110SR-HID-T	1 x 35W / 70W	G12	DCA	BB-A	BD 110	M. Black	M. White	D110	D115
MSH 150SR-HID-T	1 x 70W / 150W	G12	DCA	FB-A	BD 150	M. Black	M. White	D150	D115

Model: DL30A



Specifications	
Housing	Aluminium
Reflector	Acrylic Linear
Lampholder	Ceramic (E27)
Connector	Nylon (3 Way)
Pendant Mounted	
Housing - Colour	
Aluminium	Matt Silver
Optional	
Visor	Acrylic Linear Diffuser

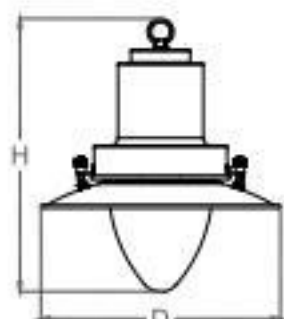


Model	Power (W)				Reflector Facet	Housing	Base	Dimension (mm)	
	LED A60	CFLi-U	CFLi-S					D	H
DL30A	1 x 9W	1 x 12W	1 x 30W	1 x 28W	Linear	Aluminium	E27	170	285

Model: DL50



Specifications	
Housing	Aluminium
Diffuser	Acrylic Clear
Lampholder	Ceramic (E27)
Connector	Nylon (3 Way)
Hanging / Pendant Mounted	
Housing - Colour	
Aluminium	Matt Satin



Model	Power (W)				Acrylic Diffuser	Housing	Base	Dimension (mm)	
	LED A60	CFLi-U	CFLi-S					D	H
DL50	1 x 9W	1 x 12W	1 x 30W	1 x 28W	Clear	Aluminium	E27	320	360

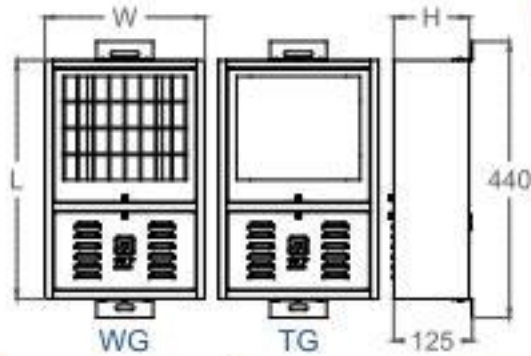
Model: LB 380TG

Model: LB 380WG



Specifications

Housing	Mild Steel
Reflector	Anodized Aluminium
Lampholder	Ceramic (E27)
Connector	Nylon (3 Way)
Diffuser (TG)	Clear Tempered Glass
Diffuser (WG)	Wire Guard
Built-In Gear Chamber	
Housing - Colour	
MS	White
Optional	
Recessed Type	



Model	Power (W)		Diffuser / Facet	Reflector Facet		Dimension (mm)		
	QM / HPS Lamp			PP	HH	L	W	H
LB 380TG	1 x 70W	1 x 150W	Tempered Glass			PP	HH	380
LB 380WG	1 x 70W	1 x 150W	Wire Guard	PP	HH	380	255	180

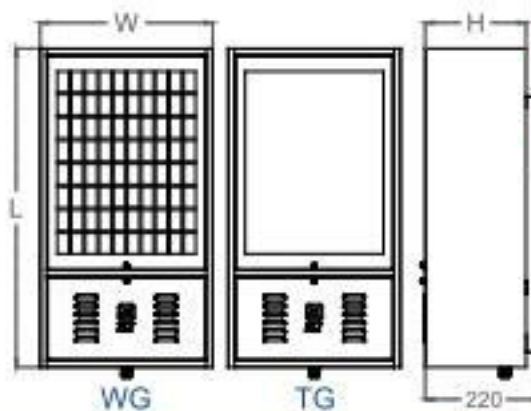
Model: LB 650TG

Model: LB 650WG



Specifications

Housing	Mild Steel
Reflector	Anodized Aluminium
Lampholder	Ceramic (E40)
Connector	Nylon (3 Way)
Diffuser (TG)	Clear Tempered Glass
Diffuser (WG)	Wire Guard
Built-In Gear Chamber	
Housing - Colour	
MS	White
Optional	
Recessed Type	



Model	Power (W)		Diffuser / Facet	Reflector Facet		Dimension (mm)		
	QM / HPS Lamp			PP	HH	L	W	H
LB 650TG	1 x 250W	1 x 400W	Tempered Glass			PP	HH	600
LB 650WG	1 x 250W	1 x 400W	Wire Guard	PP	HH	600	325	190

Pendant High Bay Lights

HID / CFL integrated - **E27 / E40**

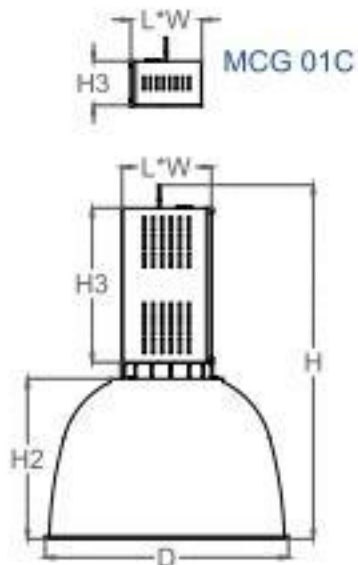
Model: HB-PC300

Model: HB-PC400

Model: HB-PC500



Specifications	
Gear Box	Mild Steel
Reflector	Acrylic Diffuser Linear
Lampholder	Ceramic (E27 / E40)
Connector	Nylon (3 Way)
Built-In Mounting Bracket	
Gear Box - Colour	
MS	Beige (9016)
Optional	
Visor	Acrylic Diffuser Linear
Suspension System	



Model	Power (W)				Reflector Facet	Gear Box	Dimension (mm)				
	QMH / HPS	CFLi-U	CFLi-S	LED A60			D	H	H2	H3	L*W
HB-PC300	-	1 x 30W	1 x 28W	1 x 9W	Linear	MCG 01C	325	310	180	75	121
HB-PC300	1 x 70W / 150W				Linear	MCG 01A	325	410	180	175	121
HB-PC400	1 x 250W				Linear	MCG 01B	410	600	270	260	151
HB-PC500	1 x 250W / 400W				Linear	MCG 01B	570	665	340	260	151

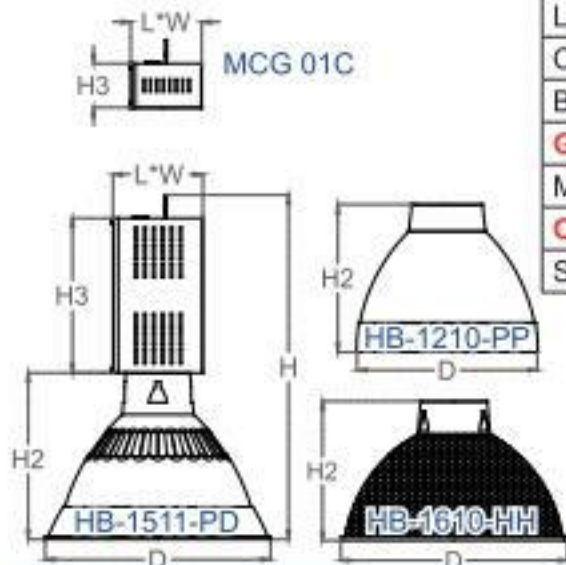
Model: HB-1210-PP

Model: HB-1511-PD

Model: HB-1610-HH



Specifications	
Gear Box	Mild Steel
Reflector	Anodized Aluminium
Lampholder	Ceramic (E27 / E40)
Connector	Nylon (3 Way)
Built-In Mounting Bracket	
Gear Box - Colour	
MS	Beige (9016)
Optional	
Suspension System	



Model	Power (W)				Reflector Facet	Gear Box	Dimension (mm)				
	QMH / HPS	CFLi-U	CFLi-S	LED A60			D	H	H2	H3	L*W
HB-1210-PP	-	1 x 30W	1 x 28W	1 x 12W	PP	MCG 01C	310	365	250	75	121
HB-1511-PD	1 x 250W				PD	MCG 01B	380	580	280	260	151
HB-1610-HH	1 x 250W / 400W				HH	MCG 01B	410	550	250	260	151

Remark: MS = Mild Steel / PP = Plain / PD = Plain & Diamond / HH = Hammer Tone

Ultimate Lighting Experience

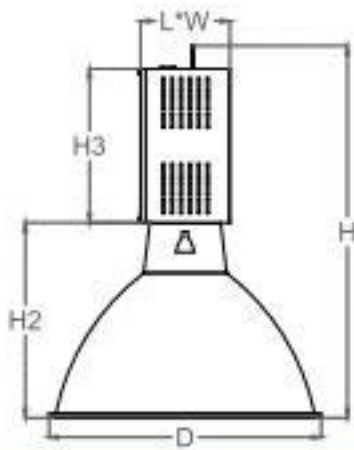
Model: HB-1813-PP

Model: HB-1815-PP



Specifications

Gear Box	Mild Steel
Reflector	Anodized Aluminium
Lampholder	Ceramic (E40)
Connector	Nylon (3 Way)
Built-In Mounting Bracket	
Gear Box - Colour	
MS	Beige (9016)
Optional	
Suspension System	



Model	Power (W)		Reflector Facet	Gear Box	Dimension (mm)				
	QM / HPS Lamp				D	H	H2	H3	L*W
HB-1813-PP	1 x 250W	1 x 400W	Plain	MCG 01B	460	630	330	260	151
HB-1815-PP	1 x 250W	1 x 400W	Plain	MCG 01B	460	670	370	260	151

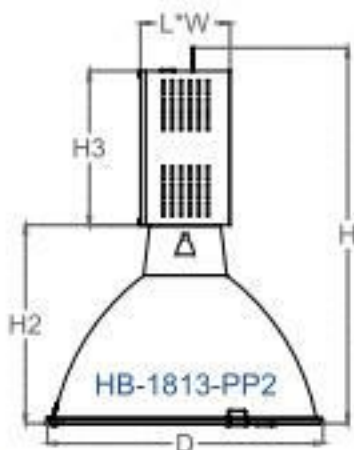
Model: HB-1511-PD2

Model: HB-1813-PP2



Specifications

Gear Box	Mild Steel
Reflector	Anodized Aluminium
Lampholder	Ceramic (E40)
Connector	Nylon (3 Way)
Diffuser	Clear Tempered Glass
Built-In Mounting Bracket	
Gear Box - Colour	
MS	Beige (9016)
Optional	
Suspension System	

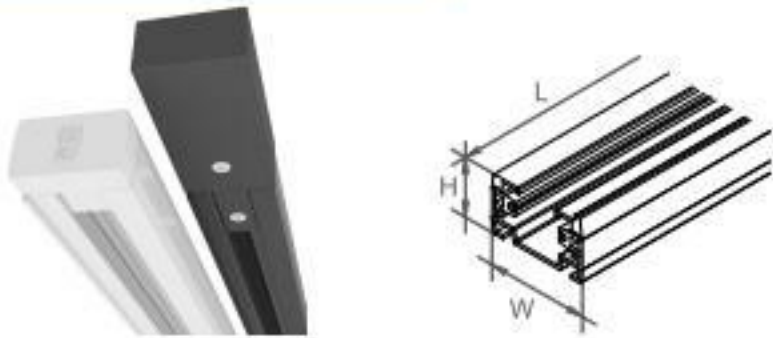


HB-1511-PD2



Model	Power (W)		Reflector Facet	Gear Box	Dimension (mm)				
	QM / HPS Lamp				D	H	H2	H3	L*W
HB-1511-PD2	1 x 250W		PD	MCG 01B	380	580	280	260	151
HB-1813-PP2	1 x 250W	1 x 400W	Plain	MCG 01B	465	635	335	260	151

Track



Model / Code	Dimension (mm)		
	L	W	H
Track 11	1000	35	20
Track 12	2000	35	20
Track 13	3000	35	20

Specification	
Material	Aluminium, Polycarbonate & Bronze
Rating	Single Circuit, 250V, 10A
Colour	Black or White

ADT 22



Model / Code	Dimension (mm)	
	D	H
ADT 22	32	45

Specification	
Material	Polycarbonate & Bronze
Rating	Single Circuit, 250V, 6A
Colour	Black or White

OSRAM ET-A 60



Specification	
Type	Electronic Transformer For Halogen Lamps
Dimension	L80 x W38 x H28 (mm)
Rating	12V, 20 - 60W
Power Factor	0.95
Input	220-240V, 50/60Hz
Dimmable	Phase Cut Leading Edge / Trailing Edge

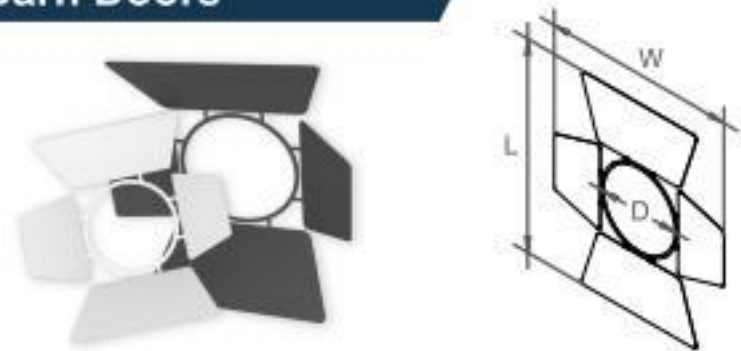
SMMC-1



Model / Code	Dimension (mm)	
	D	H
SMMC-1	100	21

Specification	
Material	Polycarbonate & Bronze
Rating	Single Circuit, 250V, 2A
Colour	Black or White

Barn Doors



Model / Code	Dimension (mm)		
	D	L	W
Barn Doors 90	78	200	200
Barn Doors 110	102	244	244
Barn Doors 150	135	297	297

Specification	
Material	Mild Steel
Colour	Black or Matt White

OSRAM ET-LED 30



Specification	
Type	Electronic Transformer For Low Voltage LED
Dimension	L80 x W38 x H28 (mm)
Rating	12V, 2 - 30W
Power Factor	> 0.50
Input	220-240V, 50/60Hz
Dimmable	Phase Cut
Ability run up to Max. 3 LED in parallel (Max. Cable 2M)	

OSRAM LED STAR CLASSIC A (E27), AC 220~240V, 50/60Hz - Non-Dimmable

Model / Code	Luminous Flux (lm)	Power (W)	CCT (K)	CRI (Ra)	SDCM	Base	Lifespan (Hrs)	Dimension (mm)	
								D	L
LED STAR CLASSIC A70 9W/827	806lm	9W	2,700K	80Ra	≤ 6	E27	10,000Hrs	60	112
LED STAR CLASSIC A70 9W/865	850lm	9W	6,500K	80Ra	≤ 6	E27	10,000Hrs	60	112
LED STAR CLASSIC A100 12W/827	1,055lm	12W	2,700K	80Ra	≤ 6	E27	10,000Hrs	60	115
LED STAR CLASSIC A100 12W/865	1,055lm	12W	6,500K	80Ra	≤ 6	E27	10,000Hrs	60	115



OSRAM LED VALUE MR16 (GU5.3), DC 12V - Non-Dimmable

Model / Code	Luminous Flux (lm)	Luminous Intensity (cd)	Beam Angle (°)	Power (W)	CCT (K)	CRI (Ra)	SDCM	Base	Lifespan (Hrs)	Dimension (mm)	
										D	L
MR16 35 24° 4.5W/827	210lm	1,000cd	24°	4.5W	2,700K	80	≤ 6	GU5.3	10,000Hrs	50	51
MR16 50 24° 6W/827	350lm	1,350cd	24°	6W	2,700K	80	≤ 6	GU5.3	10,000Hrs	50	51



OSRAM LED STAR PAR16 (GU10), AC 220~240V, 50/60Hz - Non-Dimmable

Model / Code	Luminous Flux (lm)	Luminous Intensity (cd)	Beam Angle (°)	Power (W)	CCT (K)	CRI (Ra)	SDCM	Base	Lifespan (Hrs)	Dimension (mm)	
										D	L
PAR16 50 36° 5.5W/827	350lm	1,000cd	36°	5.5W	2,700K	80	≤ 6	GU10	10,000Hrs	50	58



OSRAM PARATHOM PAR30 advanced (E27), AC 220~240V, 50/60Hz - Dimmable

Model / Code	Luminous Flux (lm)	Luminous Intensity (cd)	Beam Angle (°)	Power (W)	CCT (K)	CRI (Ra)	SDCM	Base	Lifespan (Hrs)	Dimension (mm)	
										D	L
PAR30 100 30° ADV 13W/827	870lm	2,500cd	30°	13W	2,700K	80	≤ 6	E27	40,000Hrs	95	90



OSRAM PARATHOM PAR38 advanced (E27), AC 220~240V, 50/60Hz - Dimmable

Model / Code	Luminous Flux (lm)	Luminous Intensity (cd)	Beam Angle (°)	Power (W)	CCT (K)	CRI (Ra)	SDCM	Base	Lifespan (Hrs)	Dimension (mm)	
										D	L
PAR38 120 30° ADV 17W/827	1,050lm	3,000cd	30°	17W	2,700K	80	≤ 6	E27	40,000Hrs	121	133



OSRAM PrevaLED COIN 50 (DC), 38.4V - Dimmable

Model / Code	Luminous Flux (lm)	Luminous Intensity (cd)	Beam Angle (°)	Power (W)	CCT (K)	CRI (Ra)	SDCM	Current (A)	Lifespan (Hrs)	Dimension (mm)	
										D	L
PL-CN50-1100-830-24D G1	1,080lm	4,425cd	24°	13.5W	3,000K	83	≤ 4	0.35	40,000Hrs	49.6	49.8
PL-CN50-1100-830-40D G1	1,080lm	2,050cd	40°	13.5W	3,000K	83	≤ 4	0.35	40,000Hrs	49.6	49.8
PL-CN50-1100-840-24D G1	1,150lm	4,710cd	24°	13.5W	4,000K	83	≤ 4	0.35	40,000Hrs	49.6	49.8
PL-CN50-1100-840-40D G1	1,150lm	2,180cd	40°	13.5W	4,000K	83	≤ 4	0.35	40,000Hrs	49.6	49.8



OSRAM PrevaLED COIN 111 (AC), AC 220~240V, 50/60Hz - Non-Dimmable

Model / Code	Luminous Flux (lm)	Luminous Intensity (cd)	Beam Angle (°)	Power (W)	CCT (K)	CRI (Ra)	SDCM	Current (A)	Lifespan (Hrs)	Dimension (mm)	
										D	L
PL-CN111AC-1200-830-24D G1	1,125lm	4,350cd	24°	18W	3,000K	83	≤ 4	0.075	35,000Hrs	111	46
PL-CN111AC-1200-830-40D G1	1,125lm	2,250cd	40°	18W	3,000K	83	≤ 4	0.075	35,000Hrs	111	46
PL-CN111AC-1200-840-24D G1	1,215lm	4,700cd	24°	18W	4,000K	83	≤ 4	0.075	35,000Hrs	111	46
PL-CN111AC-1200-840-40D G1	1,215lm	2,400cd	40°	18W	4,000K	83	≤ 4	0.075	35,000Hrs	111	46
PL-CN111AC-1800-830-24D G1	1,665lm	6,450cd	24°	25W	3,000K	83	≤ 4	0.105	35,000Hrs	111	46
PL-CN111AC-1800-830-40D G1	1,665lm	3,300cd	40°	25W	3,000K	83	≤ 4	0.105	35,000Hrs	111	46
PL-CN111AC-1800-840-24D G1	1,755lm	6,800cd	24°	25W	4,000K	83	≤ 4	0.105	35,000Hrs	111	46
PL-CN111AC-1800-840-40D G1	1,755lm	3,500cd	40°	25W	4,000K	83	≤ 4	0.105	35,000Hrs	111	46



OSRAM PrevaLED COIN 111 (DC), 32V - Dimmable

Model / Code	Luminous Flux (lm)	Luminous Intensity (cd)	Beam Angle (°)	Power (W)	CCT (K)	CRI (Ra)	SDCM	Current (A)	Lifespan (Hrs)	Dimension (mm)	
										D	L
PL-CN111-1800-830-24D G1	1,880lm	7,705cd	24°	22.5W	3,000K	83	≤ 4	0.70	40,000Hrs	111	46
PL-CN111-1800-830-40D G1	1,880lm	3,570cd	40°	22.5W	3,000K	83	≤ 4	0.70	40,000Hrs	111	46
PL-CN111-1800-840-24D G1	1,990lm	8,155cd	24°	22.5W	4,000K	83	≤ 4	0.70	40,000Hrs	111	46
PL-CN111-1800-840-40D G1	1,990lm	3,780cd	40°	22.5W	4,000K	83	≤ 4	0.70	40,000Hrs	111	46
PL-CN111-2700-830-24D G1	2,740lm	11,230cd	24°	33.8W	3,000K	83	≤ 4	1.05	40,000Hrs	111	46
PL-CN111-2700-830-40D G1	2,740lm	5,200cd	40°	33.8W	3,000K	83	≤ 4	1.05	40,000Hrs	111	46
PL-CN111-2700-840-24D G1	2,900lm	11,885cd	24°	33.8W	4,000K	83	≤ 4	1.05	40,000Hrs	111	46
PL-CN111-2700-840-40D G1	2,900lm	5,505cd	40°	33.8W	4,000K	83	≤ 4	1.05	40,000Hrs	111	46



VS (VOSSLOH-SCHWABE) LED MR16 (GU5.3), DC 12V - Non-Dimmable

Model / Code	Luminous Flux (lm)	Luminous Intensity (cd)	Beam Angle (°)	Power (W)	CCT (K)	CRI (Ra)	SDCM	Base	Lifespan (Hrs)	Dimension (mm)	
										D	L
MR16-4-3000-38-II (549094)	190lm	1,500cd	38°	4W	3,000K	≥ 80	≤ 6	GU5.3	45,000Hrs	50	50
MR16-4-6000-38-II (549096)	240lm	1,900cd	38°	4W	6,000K	≥ 80	≤ 6	GU5.3	45,000Hrs	50	50



VS (VOSSLOH-SCHWABE) LED GU10 (GU10), AC 220~240V, 50/60Hz - Non-Dimmable

Model / Code	Luminous Flux (lm)	Luminous Intensity (cd)	Beam Angle (°)	Power (W)	CCT (K)	CRI (Ra)	SDCM	Base	Lifespan (Hrs)	Dimension (mm)	
										D	L
GU10-6-3000-50-II (566028)	290lm	1,800cd	50°	6W	3,000K	≥ 80	≤ 6	GU10	45,000Hrs	50	55
GU10-6-6000-50-II (566030)	390lm	2,420cd	50°	6W	6,000K	≥ 80	≤ 6	GU10	45,000Hrs	50	55



VS (VOSSLOH-SCHWABE) LED AR111 (G53), DC 12V - Non-Dimmable

Model / Code	Luminous Flux (lm)	Luminous Intensity (cd)	Beam Angle (°)	Power (W)	CCT (K)	CRI (Ra)	SDCM	Base	Lifespan (Hrs)	Dimension (mm)	
										D	L
AR111-12-3000-38-II (566032)	500lm	3,350cd	38°	12W	3,000K	≥ 80	≤ 6	G53	45,000Hrs	111	55
AR111-12-6000-38-II (566034)	680lm	4,800cd	38°	12W	6,000K	≥ 70	≤ 6	G53	45,000Hrs	111	55
AR111-12-3000-60-II (566036)	500lm	1,000cd	60°	12W	3,000K	≥ 80	≤ 6	G53	45,000Hrs	111	55
AR111-12-6000-60-II (566038)	680lm	1,360cd	60°	12W	6,000K	≥ 70	≤ 6	G53	45,000Hrs	111	55



VS (VOSSLOH-SCHWABE) LED PAR30 (E27), AC 220~240V, 50/60Hz - Dimmable (20-100%)

Model / Code	Luminous Flux (lm)	Luminous Intensity (cd)	Beam Angle (°)	Power (W)	CCT (K)	CRI (Ra)	SDCM	Base	Lifespan (Hrs)	Dimension (mm)	
										D	L
PAR30-12-3000-38-II (549108)	420lm	3,320cd	38°	12W	3,000K	≥ 80	≤ 6	E27	45,000Hrs	94	95
PAR30-12-6000-38-II (549110)	680lm	5,400cd	38°	12W	6,000K	≥ 70	≤ 6	E27	45,000Hrs	94	95
PAR30-12-3000-60-II (549112)	420lm	1,200cd	60°	12W	3,000K	≥ 80	≤ 6	E27	45,000Hrs	94	95
PAR30-12-6000-60-II (549114)	680lm	1,580cd	60°	12W	6,000K	≥ 70	≤ 6	E27	45,000Hrs	94	95



VS (VOSSLOH-SCHWABE) LED PAR38 (E27), AC 220~240V, 50/60Hz - Dimmable (20-100%)

Model / Code	Luminous Flux (lm)	Luminous Intensity (cd)	Beam Angle (°)	Power (W)	CCT (K)	CRI (Ra)	SDCM	Base	Lifespan (Hrs)	Dimension (mm)	
										D	L
PAR38-17-3000-38-II (549133)	630lm	5,000cd	38°	17W	3,000K	≥ 80	≤ 6	E27	45,000Hrs	121	130
PAR38-17-6000-38-II (549136)	790lm	6,300cd	38°	17W	6,000K	≥ 70	≤ 6	E27	45,000Hrs	121	130
PAR38-17-3000-60-II (549140)	630lm	1,500cd	60°	17W	3,000K	≥ 80	≤ 6	E27	45,000Hrs	121	130
PAR38-17-6000-60-II (549142)	790lm	1,900cd	60°	17W	6,000K	≥ 70	≤ 6	E27	45,000Hrs	121	130



VS (VOSSLOH-SCHWABE) TC-DEL - CFL (4Pin)

Model / Code	Luminous Flux (lm)	Power (W)	CCT (K)	CRI (Ra)	Base	Lifespan (Hrs)	Dimension (mm)	
							D	L
TC-DEL-13-2700	900lm	13W	2,700K	≥ 82Ra	G24q-1	12,000Hrs	42	112
TC-DEL-13-3000	900lm	13W	3,000K	≥ 82Ra	G24q-1	12,000Hrs	42	112
TC-DEL-13-4000	900lm	13W	4,000K	≥ 82Ra	G24q-1	12,000Hrs	42	112
TC-DEL-18-2700	1,200lm	18W	2,700K	≥ 82Ra	G24q-2	12,000Hrs	42	128
TC-DEL-18-3000	1,200lm	18W	3,000K	≥ 82Ra	G24q-2	12,000Hrs	42	128
TC-DEL-18-4000	1,200lm	18W	4,000K	≥ 82Ra	G24q-2	12,000Hrs	42	128
TC-DEL-26-2700	1,780lm	26W	2,700K	≥ 82Ra	G24q-3	12,000Hrs	42	148
TC-DEL-26-3000	1,780lm	26W	3,000K	≥ 82Ra	G24q-3	12,000Hrs	42	148
TC-DEL-26-4000	1,780lm	26W	4,000K	≥ 82Ra	G24q-3	12,000Hrs	42	148



VS (VOSSLOH-SCHWABE) TC-TEL - CFL-T (4Pin)

Model / Code	Luminous Flux (lm)	Power (W)	CCT (K)	CRI (Ra)	Base	Lifespan (Hrs)	Dimension (mm)	
							D	L
TC-TEL-32-2700	2,400lm	32W	2,700K	≥ 82Ra	GX24q-3	12,000Hrs	49	125
TC-TEL-32-3000	2,400lm	32W	3,000K	≥ 82Ra	GX24q-3	12,000Hrs	49	125
TC-TEL-32-4000	2,400lm	32W	4,000K	≥ 82Ra	GX24q-3	12,000Hrs	49	125
TC-TEL-42-2700	3,200lm	42W	2,700K	≥ 82Ra	GX24q-4	12,000Hrs	49	148
TC-TEL-42-3000	3,200lm	42W	3,000K	≥ 82Ra	GX24q-4	12,000Hrs	49	148
TC-TEL-42-4000	3,200lm	42W	4,000K	≥ 82Ra	GX24q-4	12,000Hrs	49	148



OSRAM DULUX D - CFL (2Pin)

Model / Code	Luminous Flux (lm)	Power (W)	CCT (K)	CRI (Ra)	Base	Lifespan (Hrs)	Dimension (mm)	
							D	L
DULUX D 13W/827	900lm	13W	2,700K	80 ~ 89	G24d-1	10,000Hrs	42	115
DULUX D 13W/840	900lm	13W	4,000K	80 ~ 89	G24d-1	10,000Hrs	42	115
DULUX D 13W/865	855lm	13W	6,500K	80 ~ 89	G24d-1	10,000Hrs	42	115
DULUX D 18W/827	1,200lm	18W	2,700K	80 ~ 89	G24d-2	10,000Hrs	42	130
DULUX D 18W/840	1,200lm	18W	4,000K	80 ~ 89	G24d-2	10,000Hrs	42	130
DULUX D 18W/865	1,130lm	18W	6,500K	80 ~ 89	G24d-2	10,000Hrs	42	130
DULUX D 26W/827	1,800lm	26W	2,700K	80 ~ 89	G24d-3	10,000Hrs	42	149
DULUX D 26W/840	1,800lm	26W	4,000K	80 ~ 89	G24d-3	10,000Hrs	42	149
DULUX D 26W/865	1,700lm	26W	6,500K	80 ~ 89	G24d-3	10,000Hrs	42	149


OSRAM DULUX D/E - CFL (4Pin)

Model / Code	Luminous Flux (lm)	Power (W)	CCT (K)	CRI (Ra)	Base	Lifespan (Hrs)	Dimension (mm)	
							D	L
DULUX D/E 13W/827	900lm	13W	2,700K	80 ~ 89	G24q-1	13,000Hrs	42	115
DULUX D/E 13W/840	900lm	13W	4,000K	80 ~ 89	G24q-1	13,000Hrs	42	115
DULUX D/E 18W/827	1,200lm	18W	2,700K	80 ~ 89	G24q-2	13,000Hrs	42	130
DULUX D/E 18W/840	1,200lm	18W	4,000K	80 ~ 89	G24q-2	13,000Hrs	42	130
DULUX D/E 18W/865	1,140lm	18W	6,500K	80 ~ 89	G24q-2	13,000Hrs	42	130
DULUX D/E 26W/827	1,800lm	26W	2,700K	80 ~ 89	G24q-3	13,000Hrs	42	149
DULUX D/E 26W/840	1,800lm	26W	4,000K	80 ~ 89	G24q-3	13,000Hrs	42	149
DULUX D/E 26W/865	1,710lm	26W	6,500K	80 ~ 89	G24q-3	13,000Hrs	42	149


OSRAM DULUX T/E PLUS - CFL-T (4Pin)

Model / Code	Luminous Flux (lm)	Power (W)	CCT (K)	CRI (Ra)	Base	Lifespan (Hrs)	Dimension (mm)	
							D	L
DULUX T/E 32W/827	2,400lm	32W	2,700K	80 ~ 89	GX24q-3	13,000Hrs	49	125
DULUX T/E 32W/840	2,400lm	32W	4,000K	80 ~ 89	GX24q-3	13,000Hrs	49	125
DULUX T/E 42W/827	3,200lm	42W	2,700K	80 ~ 89	GX24q-4	13,000Hrs	49	148
DULUX T/E 42W/840	3,200lm	42W	4,000K	80 ~ 89	GX24q-4	13,000Hrs	49	148


OSRAM DULUXSTAR - CFLi-U (E27), AC 220~240V, 50/60Hz

Model / Code	Luminous Flux (lm)	Power (W)	CCT (K)	CRI (Ra)	Base	Lifespan (Hrs)	Dimension (mm)	
							D	L
DULUXSTAR 8W/827	400lm	8W	2,700K	≥ 80Ra	E27	8,000Hrs	40	109
DULUXSTAR 8W/865	420lm	8W	6,500K	≥ 80Ra	E27	8,000Hrs	40	109
DULUXSTAR 11W/827	600lm	11W	2,700K	≥ 80Ra	E27	8,000Hrs	45	125
DULUXSTAR 11W/865	550lm	11W	6,500K	≥ 80Ra	E27	8,000Hrs	45	125
DULUXSTAR 15W/827	900lm	15W	2,700K	≥ 80Ra	E27	8,000Hrs	45	135
DULUXSTAR 15W/865	860lm	15W	6,500K	≥ 80Ra	E27	8,000Hrs	45	135
DULUXSTAR 18W/827	1,000lm	18W	2,700K	≥ 80Ra	E27	8,000Hrs	45	149
DULUXSTAR 18W/840	1,000lm	18W	4,000K	≥ 80Ra	E27	8,000Hrs	45	149
DULUXSTAR 18W/865	950lm	18W	6,500K	≥ 80Ra	E27	8,000Hrs	45	149
DULUXSTAR 23W/827	1,500lm	23W	2,700K	≥ 80Ra	E27	8,000Hrs	58	165
DULUXSTAR 23W/865	1,440lm	23W	6,500K	≥ 80Ra	E27	8,000Hrs	58	165


OSRAM DULUX VALUE TWIST - CFLi-S (E27), AC 220~240V, 50/60Hz

Model / Code	Luminous Flux (lm)	Power (W)	CCT (K)	CRI (Ra)	Base	Lifespan (Hrs)	Dimension (mm)	
							D	L
DULUX VALUE TWIST 8W/827	450lm	8W	2,700K	80Ra	E27	6,000Hrs	44	120
DULUX VALUE TWIST 8W/865	420lm	8W	6,500K	80Ra	E27	6,000Hrs	44	120
DULUX VALUE TWIST 11W/827	560lm	11W	2,700K	80Ra	E27	6,000Hrs	44	126
DULUX VALUE TWIST 11W/865	530lm	11W	6,500K	80Ra	E27	6,000Hrs	44	126
DULUX VALUE TWIST 15W/827	810lm	15W	2,700K	80Ra	E27	6,000Hrs	56	133
DULUX VALUE TWIST 15W/865	790lm	15W	6,500K	80Ra	E27	6,000Hrs	56	133
DULUX VALUE TWIST 18W/827	1,110lm	18W	2,700K	80Ra	E27	6,000Hrs	56	133
DULUX VALUE TWIST 18W/865	1,040lm	18W	6,500K	80Ra	E27	6,000Hrs	56	133
DULUX VALUE TWIST 23W/827	1,350lm	23W	2,700K	80Ra	E27	6,000Hrs	56	148
DULUX VALUE TWIST 23W/865	1,300lm	23W	6,500K	80Ra	E27	6,000Hrs	56	148



TOSHIBA Fluorescent Circline - FCL - T9 (G10q)

Model / Code	Luminous Flux (lm)	Power (W)	CCT (K)	CRI (Ra)	Base	Lifespan (Hrs)	Dimension (mm)	
							D1	D2
FCL 22D/21	1,080lm	22W	6,500K	70Ra	G10q	10,000Hrs	29	210
FCL 22EX-D/21	1,220lm	22W	6,500K	85Ra	G10q	10,000Hrs	29	210
FCL 30EX-D/28	2,000lm	30W	6,500K	85Ra	G10q	10,000Hrs	29	230
FCL 32WW/30	2,200lm	32W	3,000K	70Ra	G10q	10,000Hrs	29	300
FCL 32W30	2,200lm	32W	4,200K	70Ra	G10q	10,000Hrs	29	300
FCL 32D/30	1,890lm	32W	6,500K	70Ra	G10q	10,000Hrs	29	300
FCL 32EX-D/30	2,360lm	32W	6,500K	85Ra	G10q	10,000Hrs	29	300
FCL 40D/38	2,500lm	40W	6,500K	70Ra	G10q	10,000Hrs	29	406



TOSHIBA Compact Fluorescent Lamp - FPL-G - CFL (G23)

Model / Code	Luminous Flux (lm)	Power (W)	CCT (K)	CRI (Ra)	Base	Lifespan (Hrs)	Dimension (mm)	
							D	L
FPL-G 7W/27	400lm	7W	2,700K	84Ra	G23	8,000Hrs	32	112
FPL-G 7W/40	400lm	7W	4,000K	84Ra	G23	8,000Hrs	32	112
FPL-G 7W/65	360lm	7W	6,500K	84Ra	G23	8,000Hrs	32	112
FPL-G 9W/27	580lm	9W	2,700K	84Ra	G23	8,000Hrs	32	136
FPL-G 9W/40	580lm	9W	4,000K	84Ra	G23	8,000Hrs	32	136
FPL-G 9W/65	540lm	9W	6,500K	84Ra	G23	8,000Hrs	32	136
FPL-G 11W/27	900lm	11W	2,700K	84Ra	G23	8,000Hrs	32	213
FPL-G 11W/40	900lm	11W	4,000K	84Ra	G23	8,000Hrs	32	213
FPL-G 11W/65	820lm	11W	6,500K	84Ra	G23	8,000Hrs	32	213



TOSHIBA NEOBALL 2U, 3U, 4U - CFLi-U (E27), AC 220~240V, 50/60Hz

Model / Code	Luminous Flux (lm)	Power (W)	CCT (K)	CRI (Ra)	Base	Lifespan (Hrs)	Dimension (mm)	
							D	L
EFD9L/27-E3U	560lm	9W	2,700K	84Ra	E27	6,000Hrs	45	125
EFD9D/65-E3U	510lm	9W	6,500K	84Ra	E27	6,000Hrs	45	125
EFD11L/27-E2U	620lm	11W	2,700K	84Ra	E27	6,000Hrs	45	141
EFD11D/65-E2U	570lm	11W	6,500K	84Ra	E27	6,000Hrs	45	141
EFD13L/27-E3U	810lm	13W	2,700K	84Ra	E27	6,000Hrs	45	135
EFD13D/65-E3U	710lm	13W	6,500K	84Ra	E27	6,000Hrs	45	135
EFD18L/27-E3U	1,100lm	18W	2,700K	84Ra	E27	6,000Hrs	45	145
EFD18D/65-E3U	1,000lm	18W	6,500K	84Ra	E27	6,000Hrs	45	145
EFD24L/27-E3U	1,540lm	24W	2,700K	84Ra	E27	6,000Hrs	48	168
EFD24D/65-E3U	1,480lm	24W	6,500K	84Ra	E27	6,000Hrs	48	168
EFD30L/27-E4U	1,800lm	30W	2,700K	84Ra	E27	6,000Hrs	54	170
EFD30D/65-E4U	1,700lm	30W	6,500K	84Ra	E27	6,000Hrs	54	170



TOSHIBA NEOBALL Twist - CFLi-S (E27), AC 220~240V, 50/60Hz

Model / Code	Luminous Flux (lm)	Power (W)	CCT (K)	CRI (Ra)	Base	Lifespan (Hrs)	Dimension (mm)	
							D	L
EFS14L/27	570lm	14W	2,700K	84Ra	E27	6,000Hrs	48	104
EFS14D/65	520lm	14W	6,500K	84Ra	E27	6,000Hrs	48	104
EFS18L/27	1,290lm	18W	2,700K	84Ra	E27	6,000Hrs	55	115
EFS18D/65	1,150lm	18W	6,500K	84Ra	E27	6,000Hrs	55	115
EFS22L/27	1,550lm	22W	2,700K	84Ra	E27	6,000Hrs	55	122
EFS22D/65	1,380lm	22W	6,500K	84Ra	E27	6,000Hrs	55	122
EFS28L/27	1,870lm	28W	2,700K	84Ra	E27	6,000Hrs	65	159
EFS28D/65	1,700lm	28W	6,500K	84Ra	E27	6,000Hrs	65	159



PHILIPS HALOGEN AR111 (G53), DC 12V

Model / Code	Luminous Flux (lm)	Luminous Intensity (cd)	Beam Angle (°)	Power (W)	CCT (K)	CRI (Ra)	Base	Lifespan (Hrs)	Dimension (mm)	
									D	L
ALULINE PRO AR111	-	23,000cd	8°	50W	2,900K	100	G23	3,000Hrs	111	61
ALULINE PRO AR111	-	4,000cd	24°	50W	2,900K	100	G23	3,000Hrs	111	61



OSRAM POWERBALL HCI-TF (GU6.5)

Model / Code	Luminous Flux (lm)	Power (W)	CCT (K)	CRI (Ra)	Base	Lifespan (Hrs)	Dimension (mm)	
							D	L
HCI-TF 20W/830 WDL PB	1,700lm	20W	3,000K	89Ra	GU6.5	15,000Hrs (B50)	13	57
HCI-TF 35W/930 WDL PB	3,600lm	35W	3,000K	90Ra	GU6.5	15,000Hrs (B50)	13	57



OSRAM POWERBALL HCI-TC (G8.5)

Model / Code	Luminous Flux (lm)	Power (W)	CCT (K)	CRI (Ra)	Base	Lifespan (Hrs)	Dimension (mm)	
							D	L
HCI-TC 20W/830 WDL PB	1,700lm	20W	3,000K	83Ra	G8.5	15,000Hrs (B50)	15	81
HCI-TC 35W/830 WDL PB	3,700lm	35W	3,000K	85Ra	G8.5	15,000Hrs (B50)	15	81
HCI-TC 35W/942 NDL PB	3,500lm	35W	4,200K	90Ra	G8.5	15,000Hrs (B50)	15	81
HCI-TC 70W/830 WDL PB	7,200lm	70W	3,000K	89Ra	G8.5	15,000Hrs (B50)	15	81
HCI-TC 70W/942 NDL PB	6,800lm	70W	4,200K	96Ra	G8.5	15,000Hrs (B50)	15	81



OSRAM POWERBALL HCI-T (G12)

Model / Code	Luminous Flux (lm)	Power (W)	CCT (K)	CRI (Ra)	Base	Lifespan (Hrs)	Dimension (mm)	
							D	L
HCI-T 35W/830 WDL PB	3,700lm	35W	3,000K	85Ra	G12	15,000Hrs (B50)	20	100
HCI-T 35W/942 NDL PB	3,400lm	35W	4,200K	91Ra	G12	15,000Hrs (B50)	20	100
HCI-T 70W/830 WDL PB	7,400lm	70W	3,000K	89Ra	G12	15,000Hrs (B50)	20	100
HCI-T 70W/942 NDL PB	6,800lm	70W	4,200K	95Ra	G12	15,000Hrs (B50)	20	100
HCI-T 150W/830 WDL PB	15,100lm	150W	3,000K	89Ra	G12	15,000Hrs (B50)	25	105
HCI-T 150W/942 NDL PB	14,700lm	150W	4,200K	95Ra	G12	15,000Hrs (B50)	25	105



OSRAM POWERBALL HCI-TS (RX7S / RX7S-24)

Model / Code	Luminous Flux (lm)	Power (W)	CCT (K)	CRI (Ra)	Base	Lifespan (Hrs)	Dimension (mm)	
							D	L
HCI-TS 70W/830 WDL PB	7,000lm	70W	3,000K	88Ra	RX7S	15,000Hrs (B50)	20	120
HCI-TS 70W/942 NDL PB	6,700lm	70W	4,200K	94Ra	RX7S	15,000Hrs (B50)	20	120
HCI-TS 150W/830 NDL PB	15,000lm	150W	3,000K	89Ra	RX7S-24	15,000Hrs (B50)	23	138
HCI-TS 150W/942 WDL PB	14,800lm	150W	4,200K	96Ra	RX7S-24	15,000Hrs (B50)	23	138



OSRAM POWERBALL HCI-PAR30 (E27)

Model / Code	Luminous Flux (lm)	Luminous Intensity (cd)	Beam Angle (°)	Power (W)	CCT (K)	CRI (Ra)	Base	Lifespan (Hrs)	Dimension (mm)	
									D	L
HCI-PAR30 35W/830 WDL PB SP 10D	2,090lm	45,000cd	10°	35W	3,000K	83	E27	12,000Hrs (B50)	97	125
HCI-PAR30 35W/830 WDL PB FL 30D	2,190lm	8,000cd	30°	35W	3,000K	83	E27	12,000Hrs (B50)	97	125
HCI-PAR30 35W/942 NDL PB SP 10D	2,110lm	36,000cd	10°	35W	4,200K	90	E27	12,000Hrs (B50)	97	125
HCI-PAR30 35W/942 NDL PB FL 30D	2,050lm	7,000cd	30°	35W	4,200K	90	E27	12,000Hrs (B50)	97	125
HCI-PAR30 70W/830 WDL PB SP 10D	3,630lm	60,000cd	10°	70W	3,000K	95	E27	12,000Hrs (B50)	97	125
HCI-PAR30 70W/830 WDL PB FL 30D	3,400lm	12,000cd	30°	70W	3,000K	95	E27	12,000Hrs (B50)	97	125
HCI-PAR30 70W/942 NDL PB SP 10D	3,770lm	70,000cd	10°	70W	4,200K	90	E27	12,000Hrs (B50)	97	125
HCI-PAR30 70W/942 NDL PB FL 30D	3,530lm	13,000cd	30°	70W	4,200K	90	E27	12,000Hrs (B50)	97	125



OSRAM VIALOX NAV SON-T - Tubular, Clear (E40)

Model / Code	Luminous Flux (lm)	Power (W)	CCT (K)	CRI (Ra)	Base	Lifespan (Hrs)	Dimension (mm)	
							D	L
SON-T 150W (1.8A)	14,500lm	150W	2,000K	< 25Ra	E40	20,000Hrs	46	211
SON-T 250W (3.0A)	27,000lm	250W	2,000K	< 25Ra	E40	20,000Hrs	46	257
SON-T 400W (4.6A)	48,000lm	400W	2,000K	< 25Ra	E40	20,000Hrs	46	285



GE HALOGEN - PAR20 (E27), AC 240V

Model / Code	Luminous Flux (lm)	Luminous Intensity (cd)	Beam Angle (°)	Power (W)	CCT (K)	CRI (Ra)	Base	Lifespan (Hrs)	Dimension (mm)	
									D	L
50PAR20/240/SP (95775)	-	2,200cd	10°	50W	2,600K	100Ra	E27	2,100Hrs	65	85
50PAR20/240/FL (95776)	-	1,000cd	25°	50W	2,600K	100Ra	E27	2,100Hrs	65	85



GE HALOGEN - PAR30 (E27), AC 240V

Model / Code	Luminous Flux (lm)	Luminous Intensity (cd)	Beam Angle (°)	Power (W)	CCT (K)	CRI (Ra)	Base	Lifespan (Hrs)	Dimension (mm)	
									D	L
75PAR30/240/SP (95777)	-	5,800cd	10°	75W	2,700K	100Ra	E27	3,000Hrs	97	93
75PAR30/240/FL (95778)	-	1,400cd	30°	75W	2,700K	100Ra	E27	3,000Hrs	97	93



GE / Tungram HALOGEN - PAR38 (E27), AC 240V

Model / Code	Luminous Flux (lm)	Luminous Intensity (cd)	Beam Angle (°)	Power (W)	CCT (K)	CRI (Ra)	Base	Lifespan (Hrs)	Dimension (mm)	
									D	L
80PAR/WMISER/SP/27	-	5,400cd	12°	80W	2,800K	100Ra	E27	2,000Hrs	122	136
80PAR/WMISER/FL/27	-	1,800cd	30°	80W	2,800K	100Ra	E27	2,000Hrs	122	136
120PAR/WMISER/SP/27	-	9,300cd	12°	120W	2,800K	100Ra	E27	2,000Hrs	122	136
120PAR/WMISER/FL/27	-	3,100cd	30°	120W	2,800K	100Ra	E27	2,000Hrs	122	136



GE HALOGEN - PAR56 (GX16d), AC 240V

Model / Code	Luminous Flux (lm)	Luminous Intensity (cd)	Beam Angle (°)	Power (W)	CCT (K)	CRI (Ra)	Base	Lifespan (Hrs)	Dimension (mm)	
									D	L
300PAR56/MFL (18677)	-	30,000cd	10°	300W	2,900K	100Ra	GX16d	2,000Hrs	178	127
300PAR56/WFL (18678)	-	10,000cd	30°	300W	2,900K	100Ra	GX16d	2,000Hrs	178	127



GE HALOGEN - MR16 (GU5.3), DC 12V

Model / Code	Luminous Flux (lm)	Luminous Intensity (cd)	Beam Angle (°)	Power (W)	CCT (K)	CRI (Ra)	Base	Lifespan (Hrs)	Dimension (mm)	
									D	L
Q50MR16/FL/CG (12V)	-	1,350cd	36°	50W	3,000K	100	GU5.3	1,000Hrs	50	48
Q50MR16/M/CG (12V)	-	2,700cd	24°	50W	3,000K	100	GU5.3	1,000Hrs	50	48



GE Quartz Metal Halide - Bulb (E27 / E40)

Model / Code	Luminous Flux (lm)	Power (W)	CCT (K)	CRI (Ra)	Base	Lifespan (Hrs)	Dimension (mm)	
							D	L
ARC70/E/U/740/E27 (0.95A)	4,700lm	70W	3,700K	65Ra	E27	5,000Hrs	57	141
ARC150/E/U/740/E27 (1.8A)	11,500lm	150W	4,400K	65Ra	E27	5,000Hrs	57	141
KRC250/D/U/740/E40 (2.1A)	16,000lm	250W	3,600K	65Ra	E40	8,000Hrs	93	211
KRC400/D/U/740/E40 (3.3A)	28,000lm	400W	4,000K	65Ra	E40	8,000Hrs	121	283



GE Quartz Metal Halide - Tube (E27 / E40)

Model / Code	Luminous Flux (lm)	Power (W)	CCT (K)	CRI (Ra)	Base	Lifespan (Hrs)	Dimension (mm)	
							D	L
KRC250/T/U/740/E40 (2.1A)	18,000lm	250W	3,900K	65Ra	E40	8,000Hrs	65	271
KRC400/T/U/740/E40 (3.3A)	30,000lm	400W	4,000K	65Ra	E40	8,000Hrs	65	271



GE High Pressure Sodium - Bulb (E40)

Model / Code	Luminous Flux (lm)	Power (W)	CCT (K)	CRI (Ra)	Base	Lifespan (Hrs)	Dimension (mm)	
							D	L
LU150/100/D/E40 (1.8A)	14,500lm	150W	2,000K	21Ra	E40	24,000Hrs	91	227
LU250D/E40 (3.0A)	26,000lm	250W	2,000K	21Ra	E40	24,000Hrs	91	227
LU400/D/E40 (4.6A)	48,000lm	400W	2,000K	21Ra	E40	24,000Hrs	122	292



GE High Pressure Sodium - Tube (E27 / E40)

Model / Code	Luminous Flux (lm)	Power (W)	CCT (K)	CRI (Ra)	Base	Lifespan (Hrs)	Dimension (mm)	
							D	L
LU70T/E27 (0.98A)	6,100lm	70W	2,000K	21Ra	E27	24,000Hrs	39	156
LU100T/E27 (1.2A)	9,100lm	100W	2,000K	21Ra	E27	24,000Hrs	39	190
LU100T/E40 (1.2A)	9,100lm	100W	2,000K	21Ra	E40	24,000Hrs	39	190
LU150/100/T/E40 (1.8A)	15,000lm	150W	2,000K	21Ra	E40	24,000Hrs	48	211
LU250/T/E40 (3.0A)	28,000lm	250W	2,000K	21Ra	E40	24,000Hrs	48	260
LU400T/E40 (4.6A)	48,000lm	400W	2,000K	21Ra	E40	24,000Hrs	48	292



MALAYSIA**CORPORATE HEAD OFFICE & MANUFACTURE BASE****YLI INDUSTRY SDN. BHD. (504654-U)**

PT 14503 & 14504, PERSIARAN BATU GAJAH PERDANA 6, TAMAN BATU GAJAH PERDANA, 31550 PUSING, IPOH, PERAK, MALAYSIA.
TEL: +60-5-366 5227 (Hunting Line), 366 4227, 366 8227, 366 9227 FAX: +60-5-365 3227, 365 1227
Email: info@yli-ind.com.my Website: www.yli-ind.com.my

VITALITE INDUSTRY SDN. BHD. (761755-P)

LOT 125 & 126, HALA PERUSAHAAN MENGLEMBU 11, KAWASAN PERINDUSTRIAN MENGLEMBU, 31450 MENGLEMBU, IPOH, PERAK, MALAYSIA.
TEL: +60-5-282 5227, 282 3227 FAX: +60-5-282 0227
Email: vitalite@yli-ind.com.my

SALES & SERVICE**IPOH - PERAK MAIN**

PT 14504, PERSIARAN BATU GAJAH PERDANA 6, TAMAN BATU GAJAH PERDANA, 31550 PUSING, IPOH, PERAK, MALAYSIA.
TEL: +60-5-366 6227 (Hunting Line), 366 4227, 365 4227 FAX: +60-5-366 1227
Email: info@yli-ind.com.my

PETALING JAYA - SELANGOR BRANCH

NO. 26, JALAN PETALING UTAMA 8, TAMAN PETALING UTAMA, BATU 7 JALAN KLANG LAMA, 46000 PETALING JAYA, SELANGOR, MALAYSIA.
TEL: +60-3-7782 9227 FAX: +60-3-7781 0227

JOHOR BAHRU - JOHOR BRANCH

NO. 17, JALAN BAKAWALI 52, TAMAN JOHOR JAYA, 81100 JOHOR BAHRU, JOHOR, MALAYSIA.
TEL: +60-7-353 9227 FAX: +60-7-355 6227

BUTTERWORTH - PENANG BRANCH

NO. 7071, JALAN ONG YI HOW, KAWASAN INDUSTRI RINGAN TERAS JAYA, 13400 BUTTERWORTH, PENANG, MALAYSIA.
TEL: +60-4-332 8227, 332 6227 FAX: +60-4-329 9227

KOTA KINABARU - SABAH BRANCH

LOT 82, LOK KAWI LIGHT INDUSTRIAL ESTATE, PHASE II, KM 19, JALAN PENAMPANG, PAPAR LAMA, LOK KAWI, KIUARUT, DISTRICT OF PAPAR, 89608 SABAH, MALAYSIA.
TEL: +60-88-75 0227 FAX: +60-88-75 4227

KUCHING - SARAWAK BRANCH

LOT 1207, SL120, JALAN BAKO, SMI INDUSTRIAL PARK, DEMAK LAUT, 93050, KUCHING, SARAWAK, MALAYSIA.
TEL: +60-82-43 1227 (Hunting Line), 43 0227 FAX: +60-82-43 4227

MIRI - SARAWAK BRANCH

LOT 1246 / 1946, JALAN PUJUT 9A, PUJUT 9, 98000 MIRI, SARAWAK, MALAYSIA.
TEL: +60-85-66 3227 FAX: +60-85-66 3227

OVERSEAS**AUSTRALIA - YLI INDUSTRY (AUSTRALIA) PTY. LTD.**

21/111, LEWIS ROAD, KNOXFIELD, VIC 3180, AUSTRALIA.
TEL: +61-03 9801 1985 FAX: +61-03 9801 1985 Email: info@yli-ind.com.my

SINGAPORE - UPPLITE TRADING.

AMK TECHLINK, BLK 20, ANG MO KIO INDUSTRIAL PARK 2A, UNIT 02-28, SINGAPORE 567761.
TEL: +65-6484 0073 FAX: +65-6484 0072 Email: upplite@yahoo.com.sg

THAILAND - YLI INDUSTRY (THAILAND) CO., LTD.

249/27-28, RANGSIT PATHUMTHANEE ROAD, BANGPOON, MUANG, PATHUMTHANEE, 12000 THAILAND.
TEL: +66 2 5672 403 FAX: +66 2 5672 404 Email: yli.thai@yli-ind.com.my

INDONESIA - PT. YLI INDUSTRY INDONESIA**(JAKARTA, Java)**

JL. RE. MARTADINATA, 100 NO. C-10, TANJUNG PRIOK, 14310 JAKARTA UTARA, INDONESIA.
TEL: +62-2143 00227 FAX: +62-2143 01227 Email: yli-jakarta@yli-ind.com.my

(MEDAN, Sumatera)

JLN. PANCING / JLN. WILLEM ISKANDAR KOMP. MMTK BLOCK B NO. 28, MEDAN ESTATE, DELI SERDANG SUMATERA UTARA 20371, MEDAN INDONESIA.
TEL: +62-61 8003 3227 FAX: +62-61 8003 2227 Email: yli-medan@yli-ind.com.my

CHINA - YI LIANG LIGHTING CO., LTD.

NO. 37, TONGMAO ROAD WEST, DONGSHENG TOWN, ZHONGSHAN CITY GUANGDONG CHINA, POSTCODE 528414.
TEL: +86-0760-8850 4227 FAX: +86-0760-2222 4227 Email: info@yli.com.my



YLI

Ultimate Lighting Experience